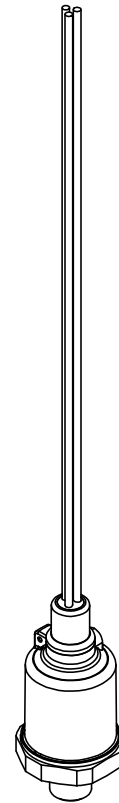
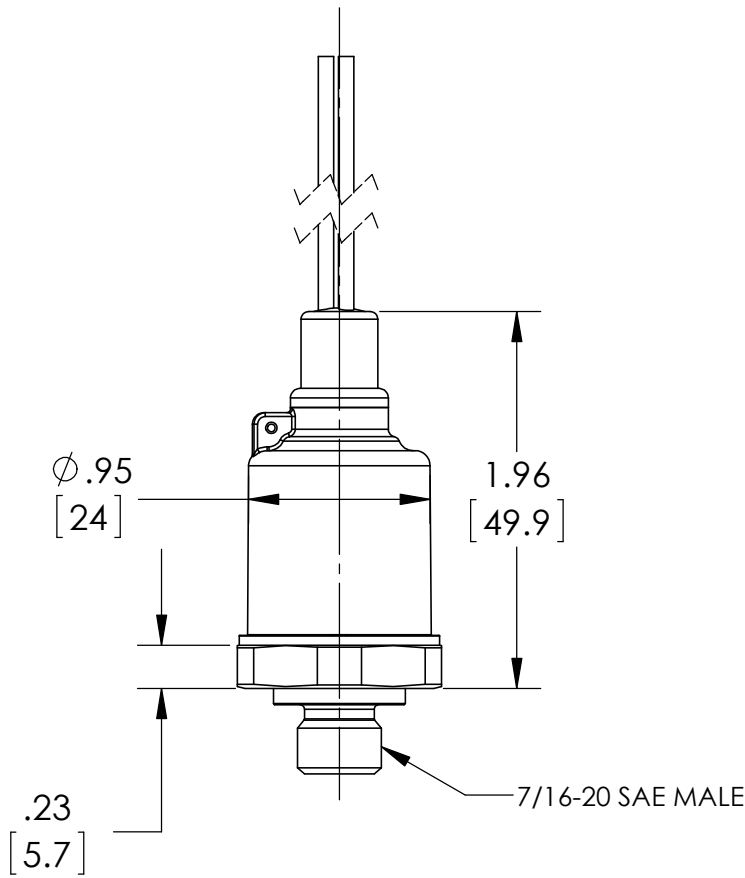
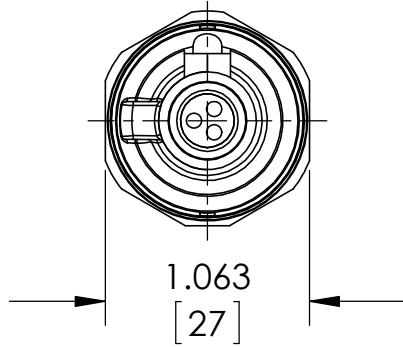




This drawing includes confidential information which is the property of ASHCROFT INC. This copy is loaned for a specific purpose, with the understanding that it will not be reproduced or used for any other purpose or disclosed to others, and it will be returned on demand.

ASHCROFT INC.

250 EAST MAIN STREET
STRATFORD, CT 06614



REV.	ECO	DESCRIPTION	BY	DATE
A	0005200	RELEASED GENERAL DIMS.	MJS	9/30/2011

DIMENSIONS IN [] ARE MILLIMETERS

This print certified correct for		General Dimensions G2 SERIES TRANSDUCER G27MEKxxW2			
Customer's Name					
Customer's Order No.	Drawn MJS	Date 9/30/11	Date of Issue		
Ashcroft Order No.	Checked	Date	SHEET-1		Rev.
Certified by	Date	Approved	Date	70A3703	A