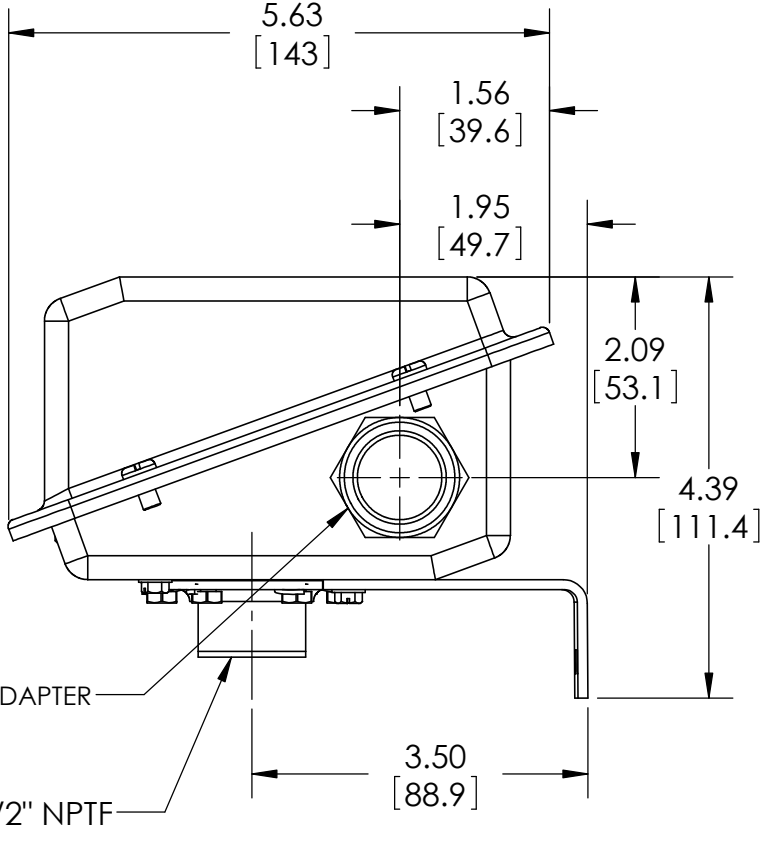
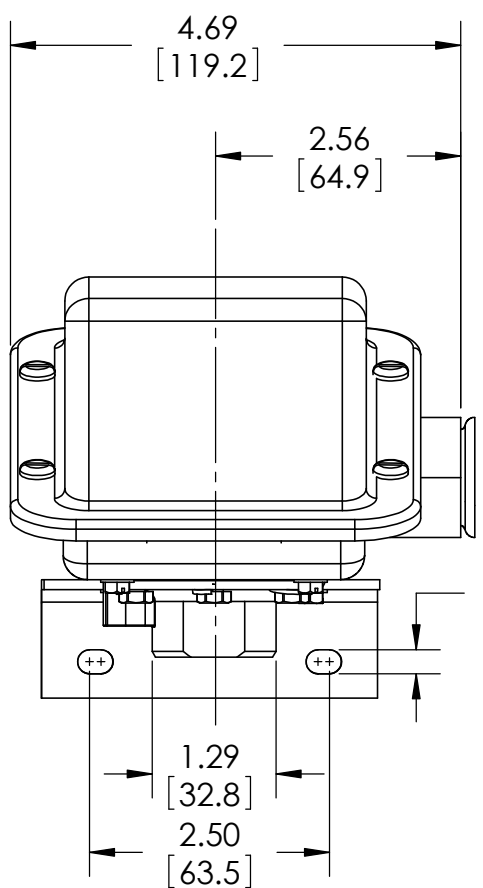




This drawing includes confidential information which is the property of ASHCROFT INC. This copy is loaned for a specific purpose, with the understanding that it will not be reproduced or used for any other purpose or disclosed to others, and it will be returned on demand.

ASHCROFT INC.

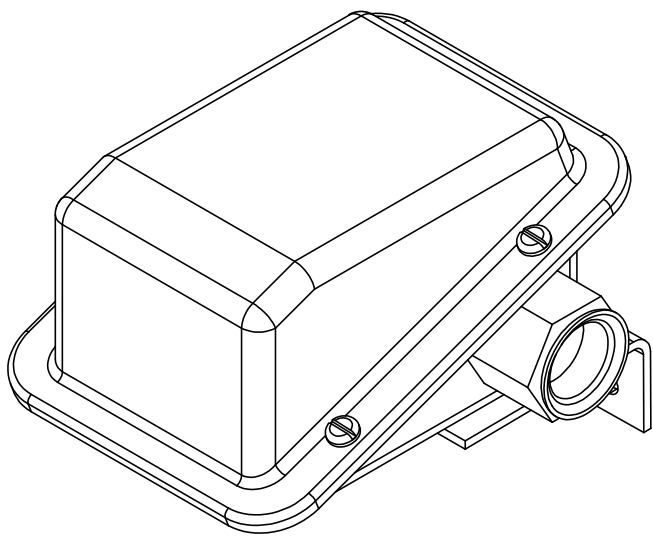
250 EAST MAIN STREET
STRATFORD, CT 06614



.25
[6.3]

3/4" NPTF
CONDUIT ADAPTER

1/2" NPTF



DIMENSIONS IN [] ARE MILLIMETERS

REV.	ECO	DESCRIPTION	BY	DATE
A	0005029	RELEASED GENERAL DIMS.	MJS	9/3/2010

This print certified correct for		General Dimensions			
Customer's Name		G-Series 07 Connection Pressure Switch PSI Ranges			
Customer's Order No.	Drawn MJS	Date 9/3/10	Date of Issue		
Ashcroft Order No.	Checked	Date	SHEET-1	Rev.	
Certified by	Date	Approved	Date	70A3449	A