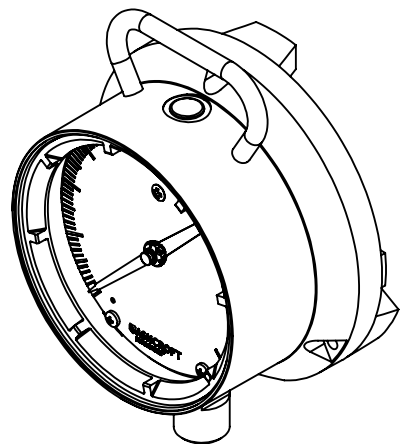
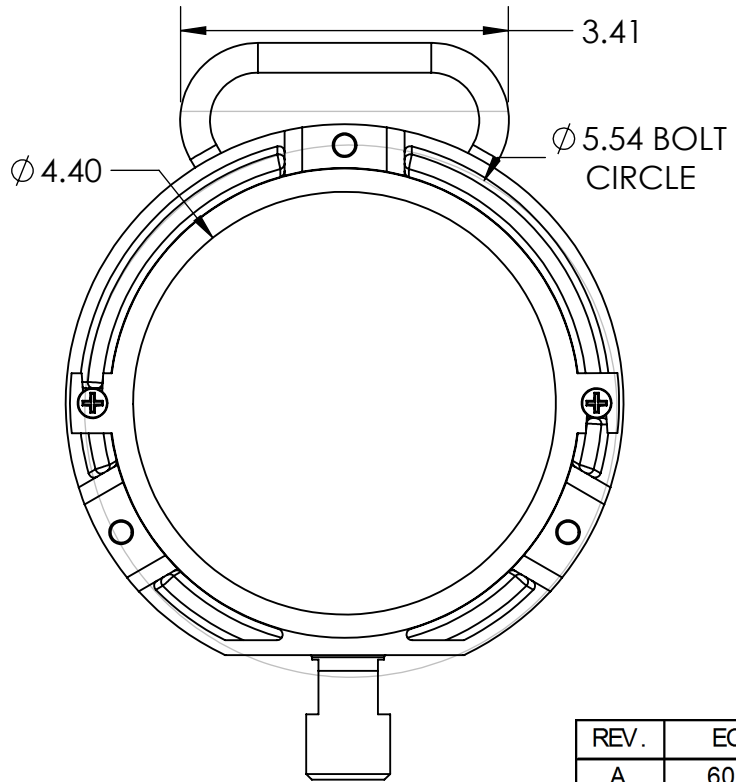
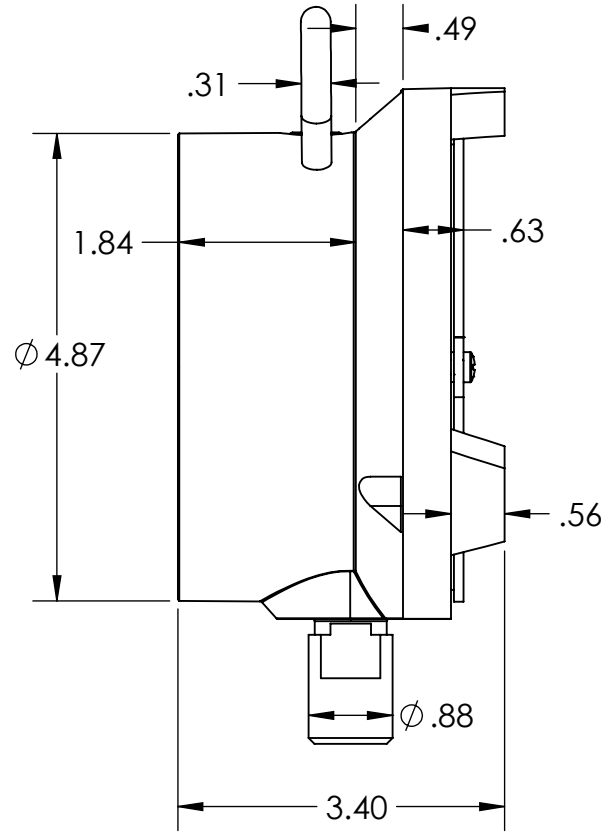
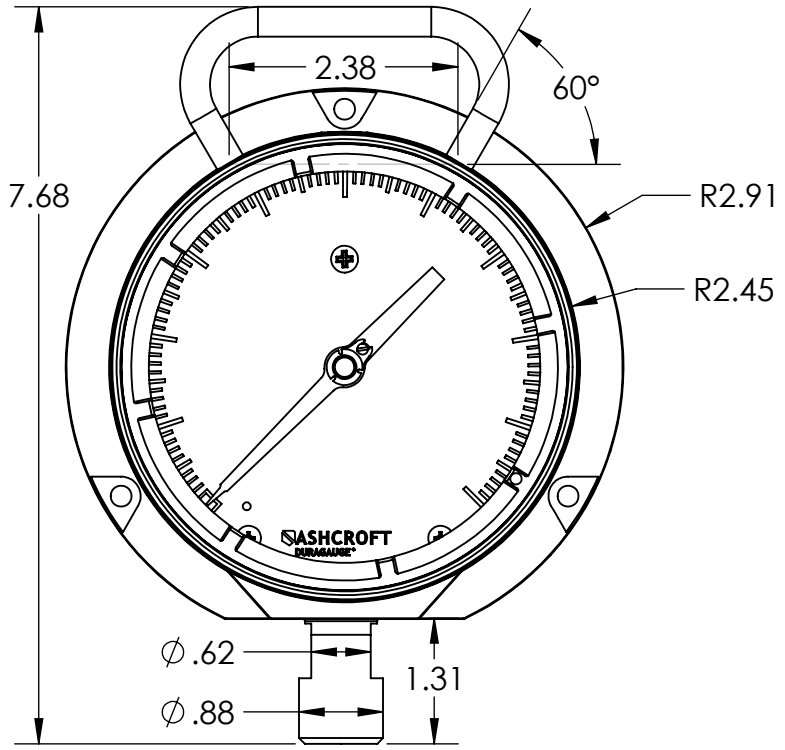


This drawing includes confidential information which is the property of ASHCROFT INC. This copy is loaned for a specific purpose, with the understanding that it will not be reproduced or used for any other purpose or disclosed to others, and it will be returned on demand.



REV.	ECO	DESCRIPTION	BY	DATE
A	6016	NEW DRAWING RELEASE	JE	10/5/2012

This print certified correct for		<b>General Dimensions</b> <b>45 1150H 04L SERIES</b> <b>REID VAPOR TEST GAUGE</b>			
Customer's Name					
Customer's Order No.		Date 10-05-12	Date of Issue		
Ashcroft Order No.		Checked	Date	SHEET-1	Rev.
Certified by	Date	Approved	Date	<b>70A3947</b>	<b>A</b>