



This drawing includes confidential information which is the property of ASHCROFT INC. This copy is loaned for a specific purpose, with the understanding that it will not be reproduced or used for any other purpose or disclosed to others, and it will be returned on demand.

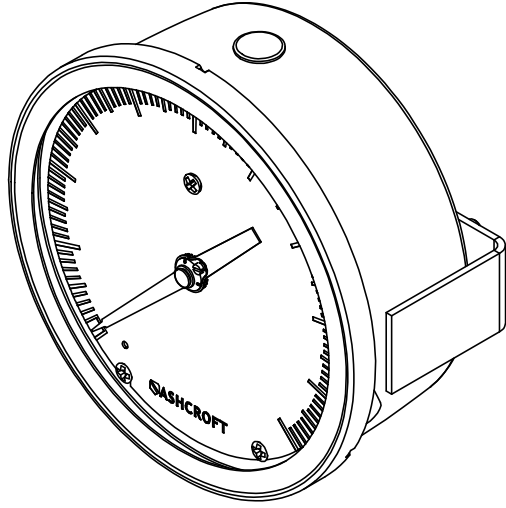
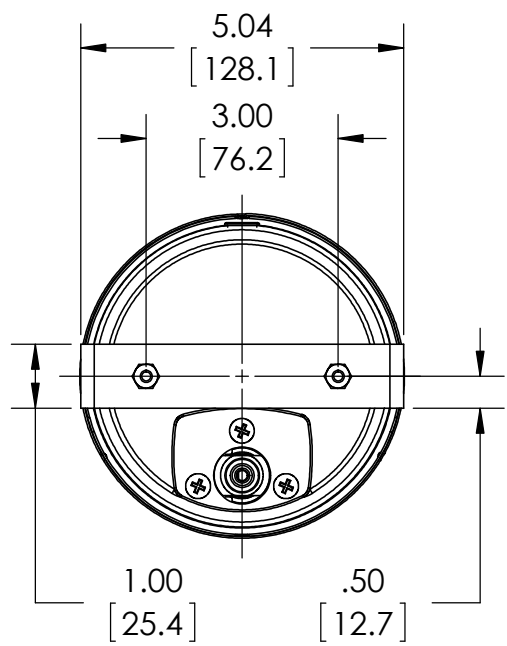
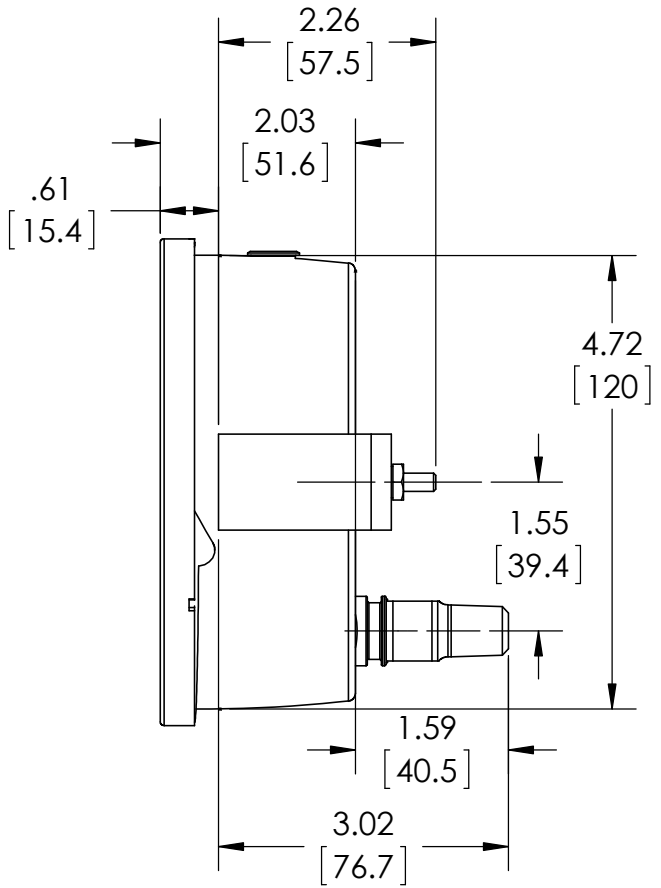
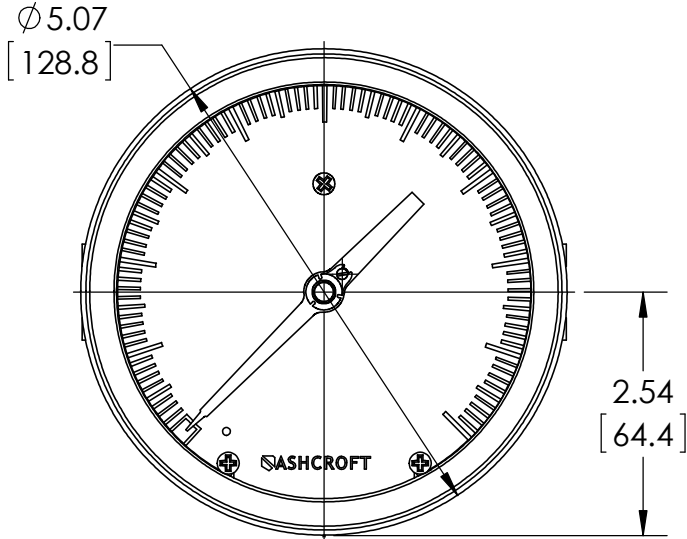


250 EAST MAIN STREET  
STRATFORD, CT 06614

NOTE 1: PANEL CUTOUT-  $\varnothing 4.94$  [125] +/- 1/32 [1]

NOTE 2: PANEL THICKNESS- 1/16 [2] TO 1/4 [6]

NOTE 3: BRACKET POSITIONED FOR 1/4" PANEL



DIMENSIONS IN [ ] ARE MILLIMETERS

REV.	ECO	DESCRIPTION	BY	DATE
A	0004508	RELEASED GENERAL DIMS.	MJS	6/20/2011

This print certified correct for		<b>General Dimensions</b>			
Customer's Name		45 1009 02B XUC SERIES			
Customer's Order No.	Drawn MJS	Date 6/20/11	Date of Issue		
Ashcroft Order No.	Checked	Date	SHEET-1		Rev.
Certified by	Date	Approved	Date	<b>70A3500</b>	<b>A</b>