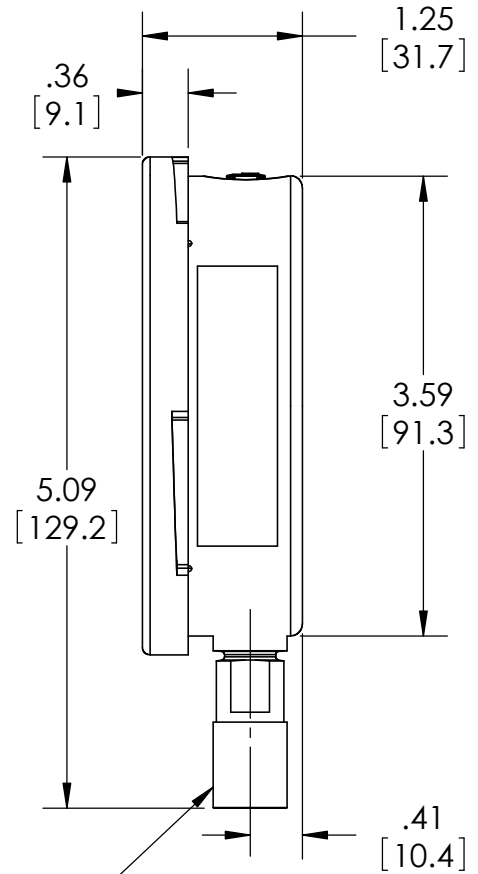
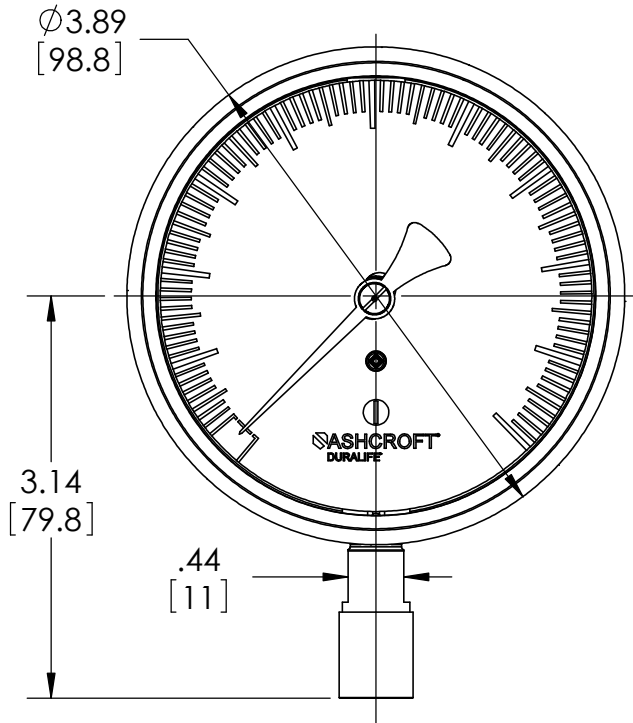




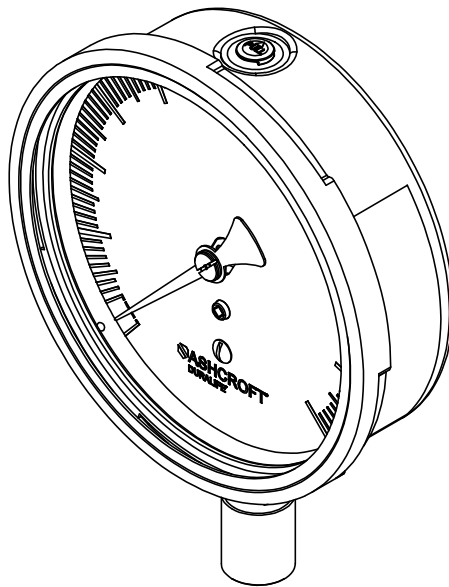
This drawing includes confidential information which is the property of ASHCROFT INC. This copy is loaned for a specific purpose, with the understanding that it will not be reproduced or used for any other purpose or disclosed to others, and it will be returned on demand.

**ASHCROFT** INC.

250 EAST MAIN STREET  
STRATFORD, CT 06614



7/16-20 UNJF FEMALE FOR  
1/4" TUBING MS-33649-4



DIMENSIONS IN [ ] ARE MILLIMETERS

REV.	ECO	DESCRIPTION	BY	DATE
A	0004508	RELEASED GENERAL DIMS.	MJS	8/17/2010

This print certified correct for		<b>General Dimensions</b>		
Customer's Name		35 1009 FF LOWER CONNECTION		
		DURALIFE		
Customer's Order No.	Drawn MJS	Date 8/17/10	Date of Issue	
Ashcroft Order No.	Checked	Date	SHEET-1	Rev.
Certified by	Date	Approved	Date	<b>70A3083</b>
				<b>A</b>