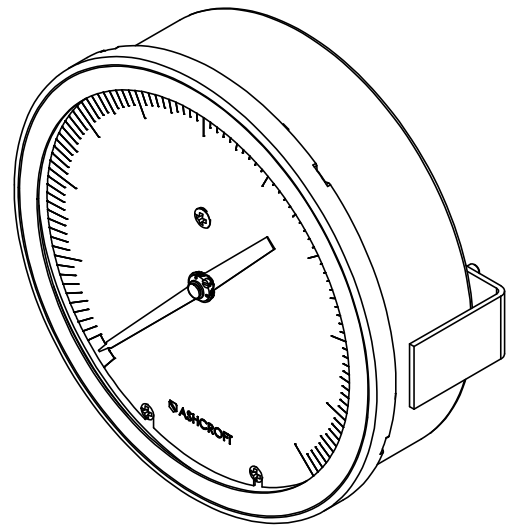
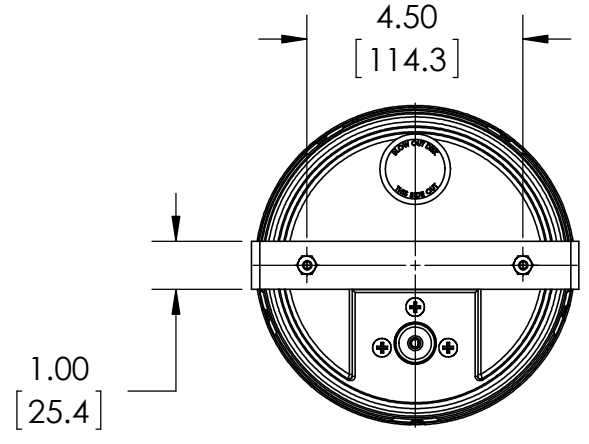
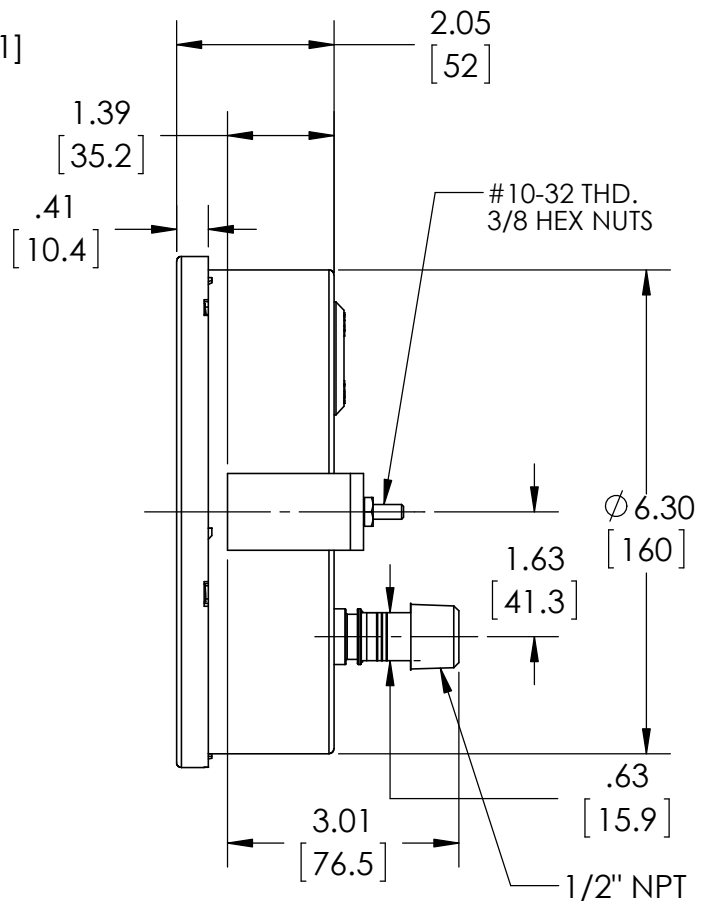
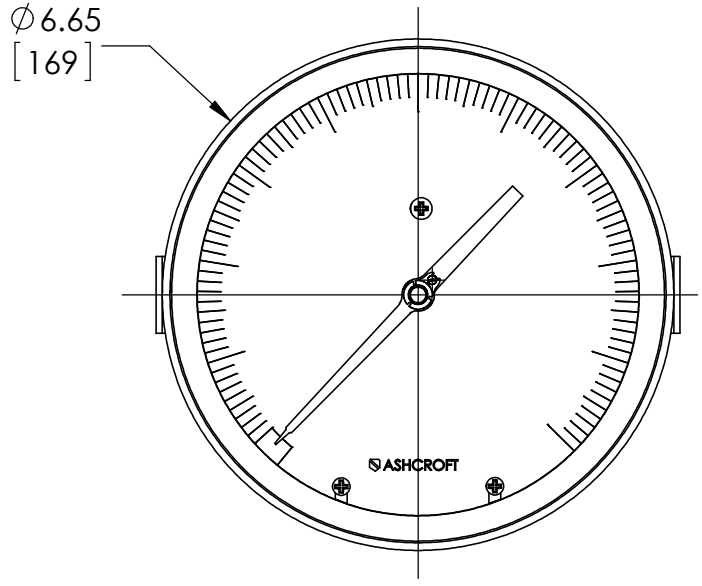


This drawing includes confidential information which is the property of ASHCROFT INC. This copy is loaned for a specific purpose, with the understanding that it will not be reproduced or used for any other purpose or disclosed to others, and it will be returned on demand.

**ASHCROFT** INC.

250 EAST MAIN STREET  
STRATFORD, CT 06614

NOTE 1: PANEL CUTOUT-  $\phi 6.4375$  [163] +/- 1/32 [1]  
 NOTE 2: PANEL THICKNESS- 1/16 [2] TO 1/4 [6]  
 NOTE 3: BRACKET POSITIONED FOR 1/4" PANEL



DIMENSIONS IN [ ] ARE MILLIMETERS

REV.	ECO	DESCRIPTION	BY	DATE
A	0004508	RELEASED GENERAL DIMS.	MJS	6/24/2011

This print certified correct for		<b>General Dimensions</b>			
Customer's Name		60 1009 04B XUC VARIATION			
Customer's Order No.	Drawn MJS	Date 6/24/11	Date of Issue		
Ashcroft Order No.	Checked	Date	SHEET-1	Rev.	
Certified by	Date	Approved	Date	<b>70A3506</b>	<b>A</b>