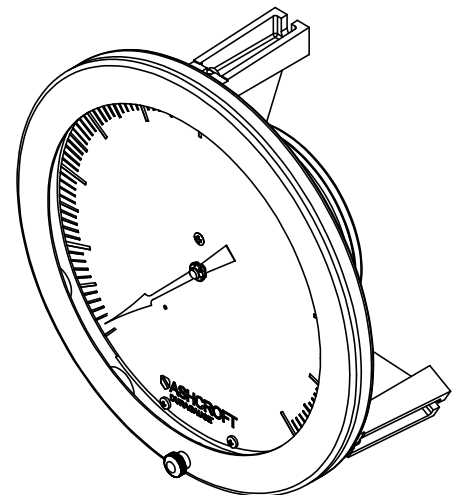
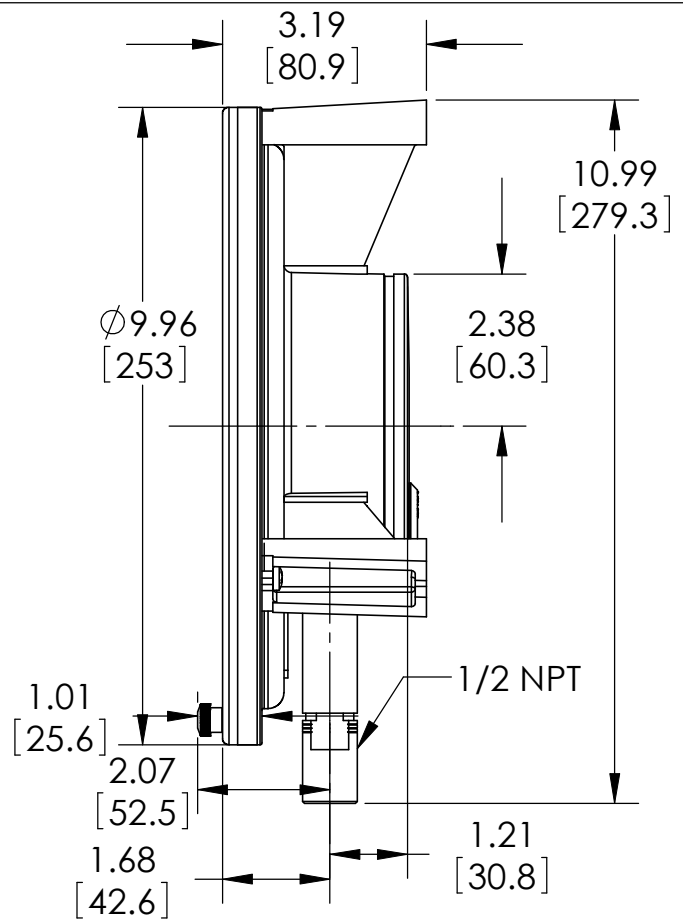
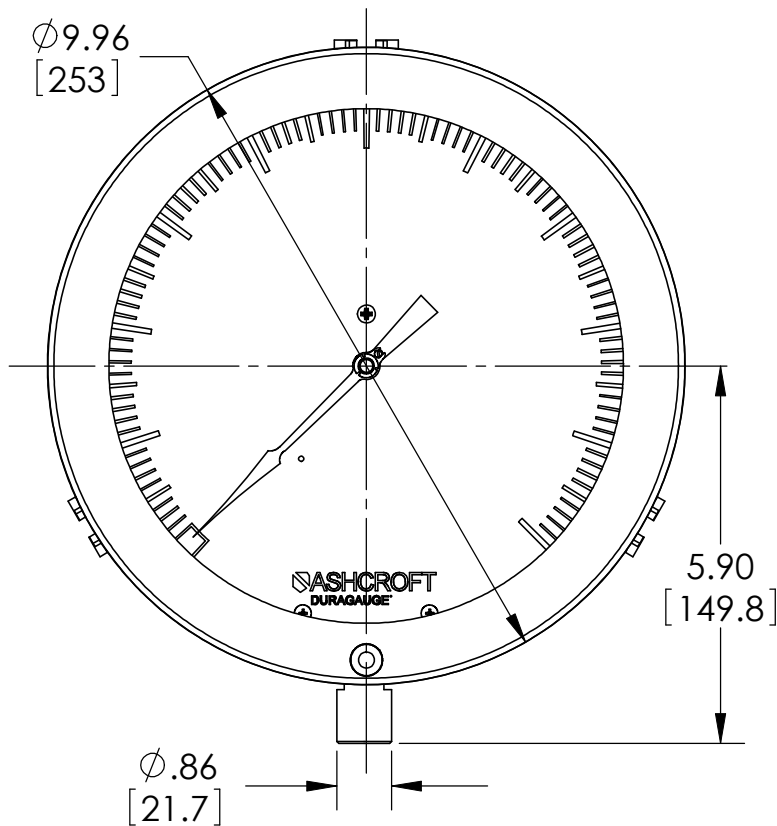


This drawing includes confidential information which is the property of ASHCROFT INC. This copy is loaned for a specific purpose, with the understanding that it will not be reproduced or used for any other purpose or disclosed to others, and it will be returned on demand.

**ASHCROFT** INC.

250 EAST MAIN STREET  
STRATFORD, CT 06614



Note: 3 Mounting studs threaded equally spaced on a 9.625" [244] Bolt Circle.

**DIMENSIONS IN [ ] ARE MILLIMETERS**

REV.	ECO	DESCRIPTION	BY	DATE
A	0004455	RELEASED GENERAL DIMS. FOR 85 1377 04L XBF	MJS	6/7/2010

This print certified correct for		<b>General Dimensions</b>		
Customer's Name		85 1377 04L XBF SERIES		
		WALL MOUNTED DURAGAUGE		
Customer's Order No.	Drawn MJS	Date 6/7/10	Date of Issue	
Ashcroft Order No.	Checked	Date	SHEET-1	Rev.
Certified by	Date	Approved	Date	<b>70A3051</b>
				<b>A</b>