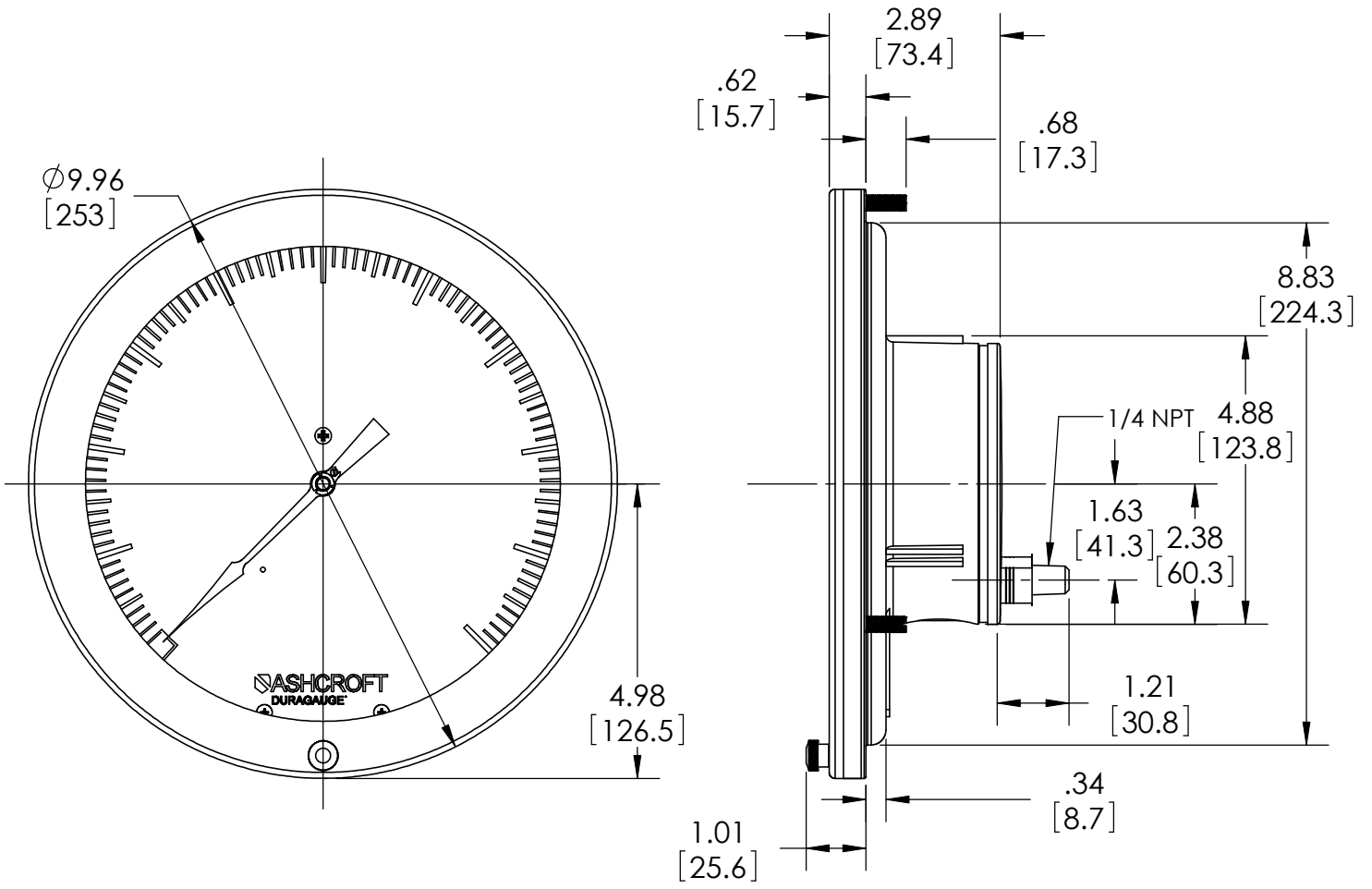




This drawing includes confidential information which is the property of ASHCROFT INC. This copy is loaned for a specific purpose, with the understanding that it will not be reproduced or used for any other purpose or disclosed to others, and it will be returned on demand.

**ASHCROFT**® INC.

250 EAST MAIN STREET  
STRATFORD, CT 06614



Note: 3 Mounting studs threaded equally spaced on a 9.625 [244] Bolt Circle.

DIMENSIONS IN [ ] ARE MILLIMETERS

REV.	ECO	DESCRIPTION	BY	DATE
A	0004455	RELEASED GENERAL DIMS. FOR 85 1377 02B	MJS	5/24/2010

This print certified correct for		General Dimensions		
Customer's Name		85 1377 02B SERIES		
		FLUSH MOUNTED DURAGAUGE		
Customer's Order No.	Drawn MJS	Date 5/24/10	Date of Issue	
Ashcroft Order No.	Checked	Date	SHEET-1	Rev.
Certified by	Date	Approved	Date	<b>70A3022</b>
				<b>A</b>