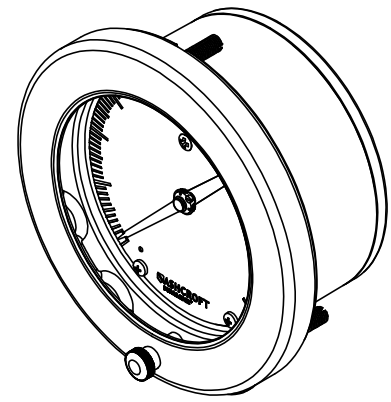
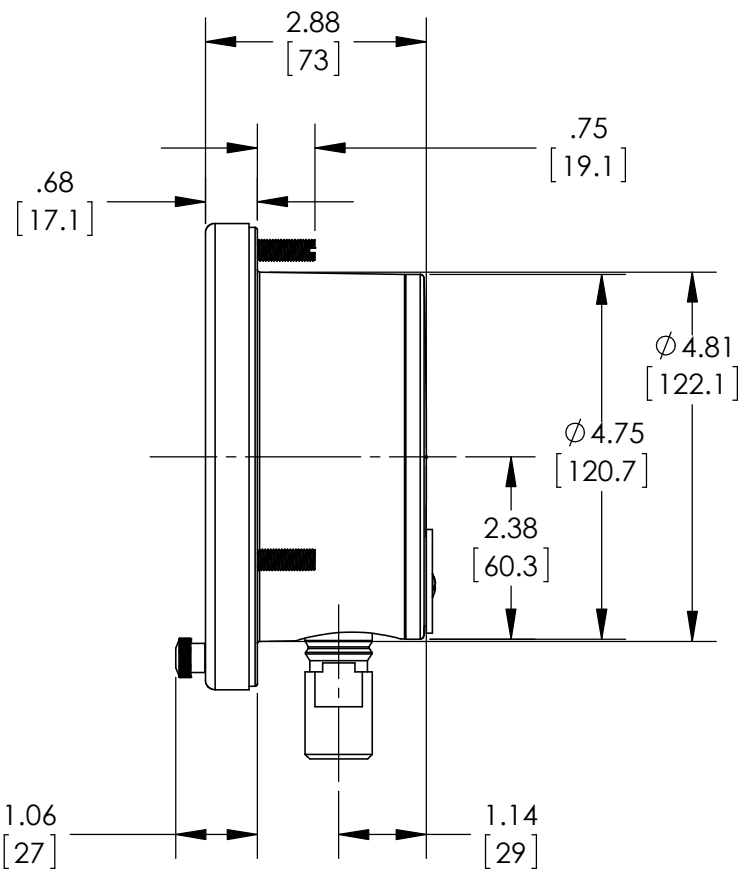
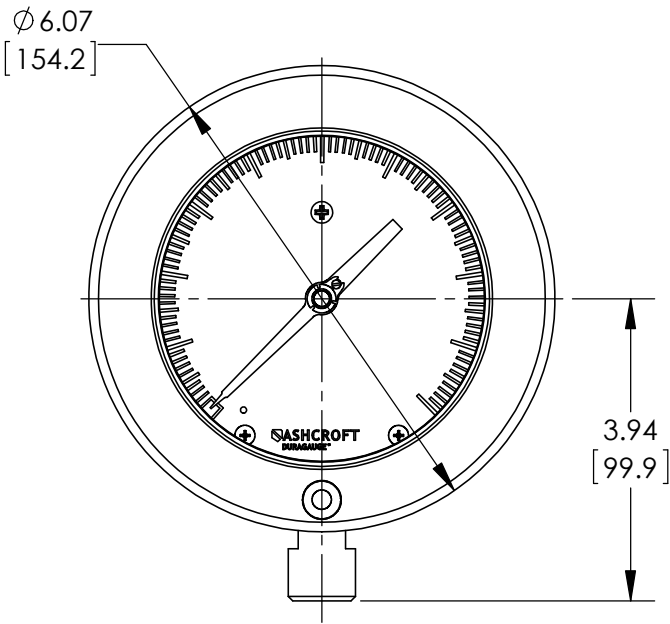




This drawing includes confidential information which is the property of ASHCROFT INC. This copy is loaned for a specific purpose, with the understanding that it will not be reproduced or used for any other purpose or disclosed to others, and it will be returned on demand.

**ASHCROFT** INC.

250 EAST MAIN STREET  
STRATFORD, CT 06614



Note: 3 Mounting studs threaded equally spaced on a 5.375" [137] Bolt Circle.

DIMENSIONS IN [ ] ARE MILLIMETERS

REV.	ECO	DESCRIPTION	BY	DATE
A	Un-Rel	RELEASED GENERAL DIMS. FOR 45 1377 04L	MJS	5/26/2010
B	Un-Rel	Validation of Dimensions for 1377 Drawings	MJS	2/10/2012
C	0005650	Revised Dimensions for 45-1377 Drawings	MJS	5/11/2012

This print certified correct for		<b>General Dimensions</b>			
Customer's Name		45 1377 04L SERIES			
		HINGED RING DURAGAUGE			
Customer's Order No.		Drawn MJS	Date 5/26/10	Date of Issue	
Ashcroft Order No.		Checked	Date	SHEET-1	Rev.
Certified by	Date	Approved	Date	<b>70A3017</b>	<b>C</b>