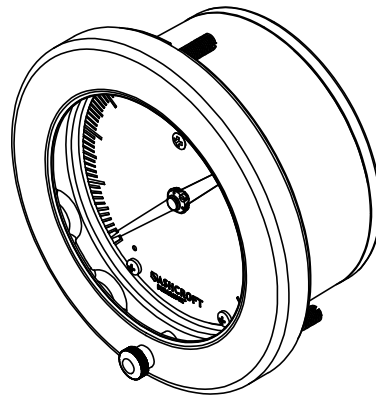
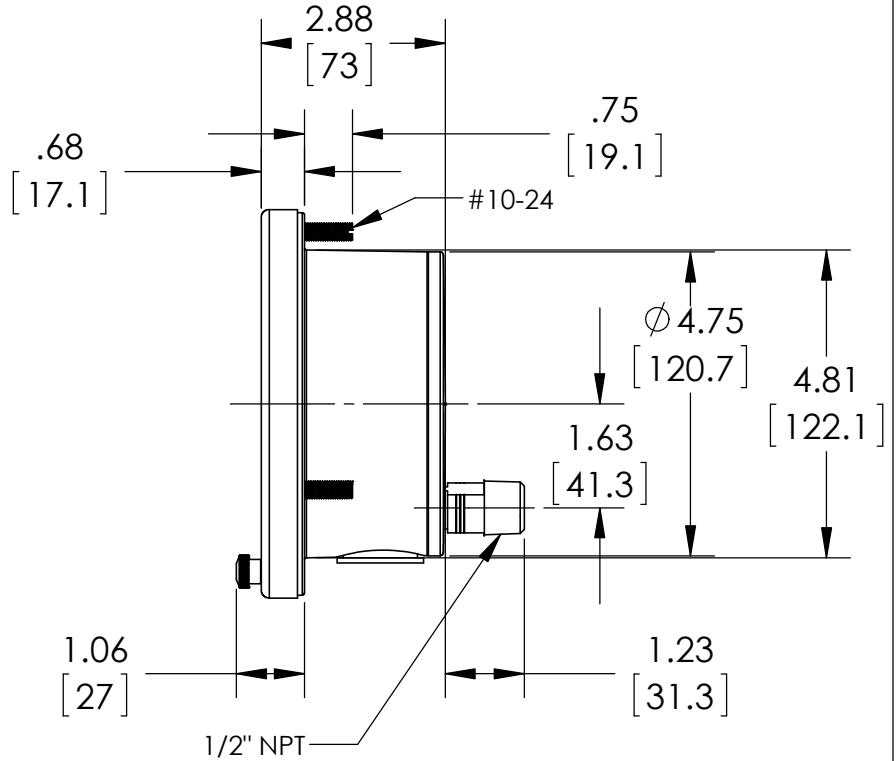
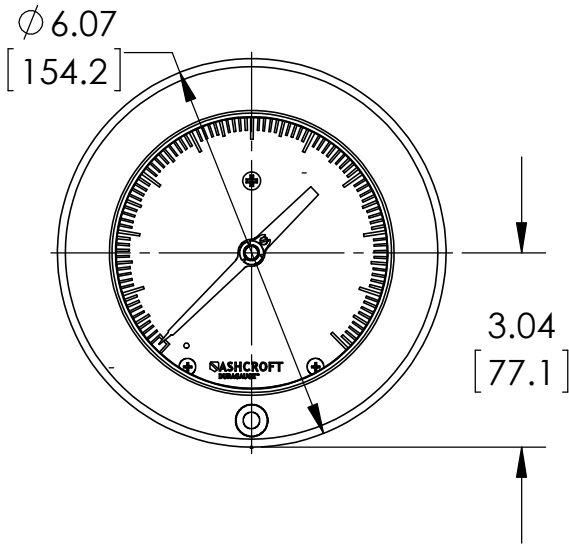




This drawing includes confidential information which is the property of ASHCROFT INC. This copy is loaned for a specific purpose, with the understanding that it will not be reproduced or used for any other purpose or disclosed to others, and it will be returned on demand.

ASHCROFT® INC.

250 EAST MAIN STREET
STRATFORD, CT 06614



Note: 3 Mounting studs threaded equally spaced on a 5.375" [137] Bolt Circle.

DIMENSIONS IN [] ARE MILLIMETERS

REV.	ECO	DESCRIPTION	BY	DATE
A	Un-Rel	RELEASED GENERAL DIMS. FOR 45 1377 04B	MJS	5/25/2010
B	Un-Rel	Validation of Dimensions for 1377 Draw ings	MJS	2/10/2012
C	0005650	Revised Dimensions for 45-1377 Draw ings	MJS	5/11/2012

This print certified correct for		General Dimensions			
Customer's Name		45 1377 04B SERIES			
		FLUSH MOUNTED DURAGAUGE			
Customer's Order No.		Drawn MJS	Date 5/25/10	Date of Issue	
Ashcroft Order No.		Checked	Date	SHEET-1	Rev.
Certified by	Date	Approved	Date	70A3016	C