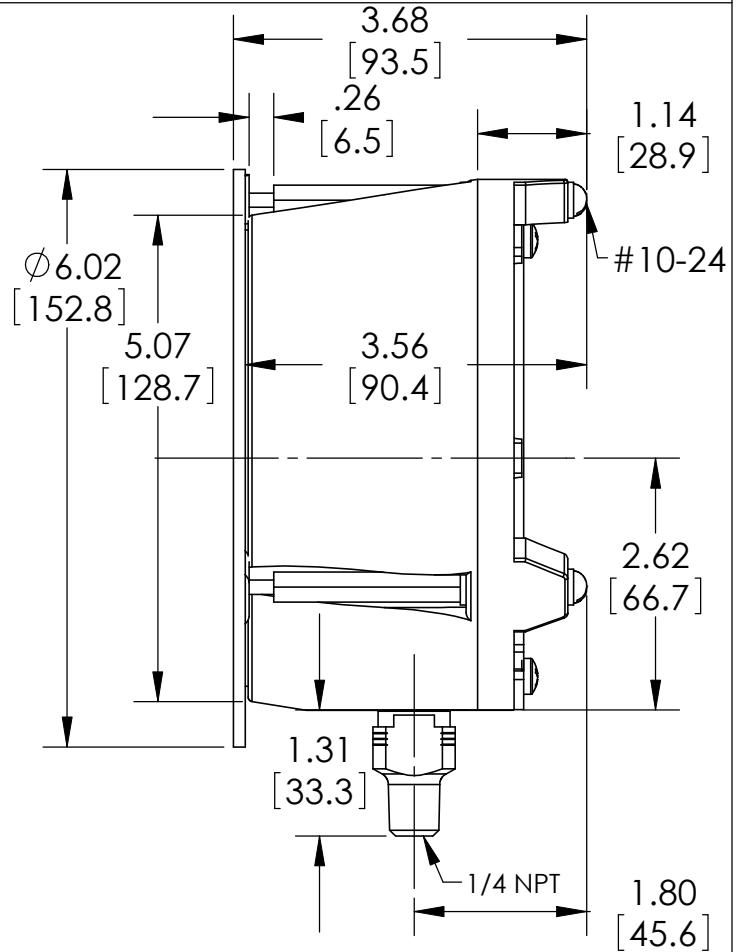
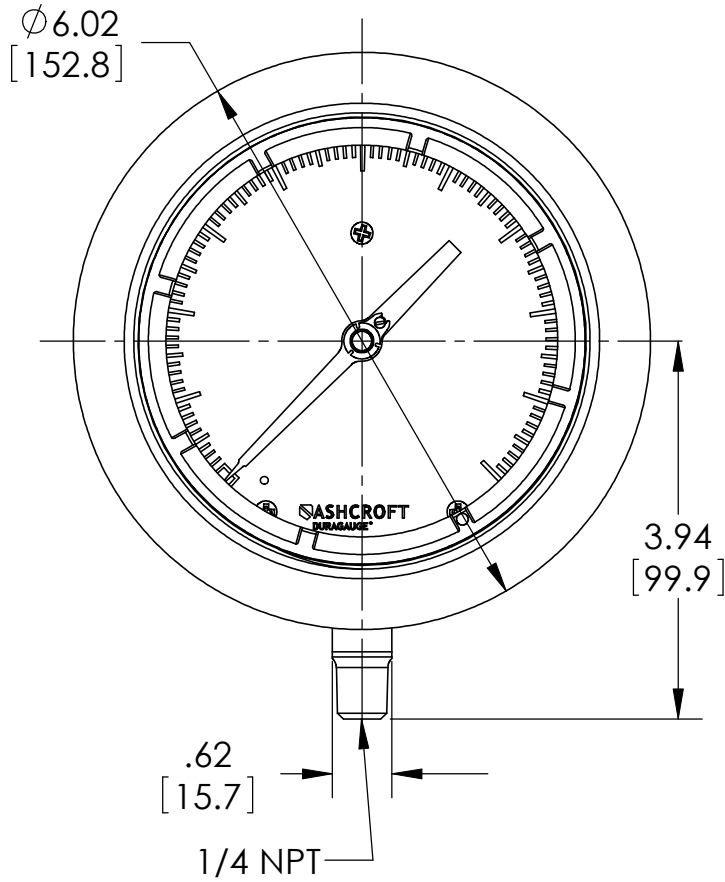


This drawing includes confidential information which is the property of ASHCROFT INC. This copy is loaned for a specific purpose, with the understanding that it will not be reproduced or used for any other purpose or disclosed to others, and it will be returned on demand.

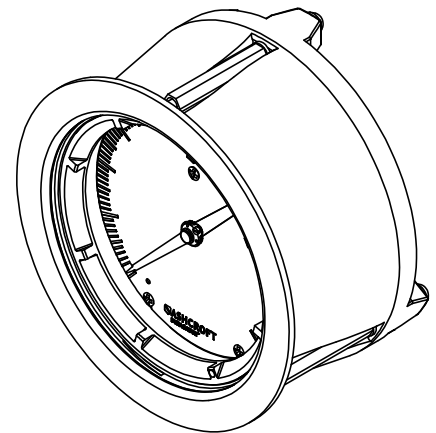
**ASHCROFT** INC.

250 EAST MAIN STREET  
STRATFORD, CT 06614



Note: Recommended hole in panel dimension is 5.625 (148).

DIMENSIONS IN [ ] ARE MILLIMETERS



REV.	ECO	DESCRIPTION	BY	DATE
A	0004455	RELEASED GENERAL DIMS. FOR 45 1279 02L X56	MJS	5/21/2010

This print certified correct for		General Dimensions			
Customer's Name		45 1279 02L X56 SERIES			
		TURRET CASE DURAGAUGE			
Customer's Order No.		Drawn MJS	Date 5/21/10	Date of Issue	
Ashcroft Order No.		Checked	Date	SHEET-1	Rev.
Certified by	Date	Approved	Date	<b>70A3009</b>	<b>A</b>