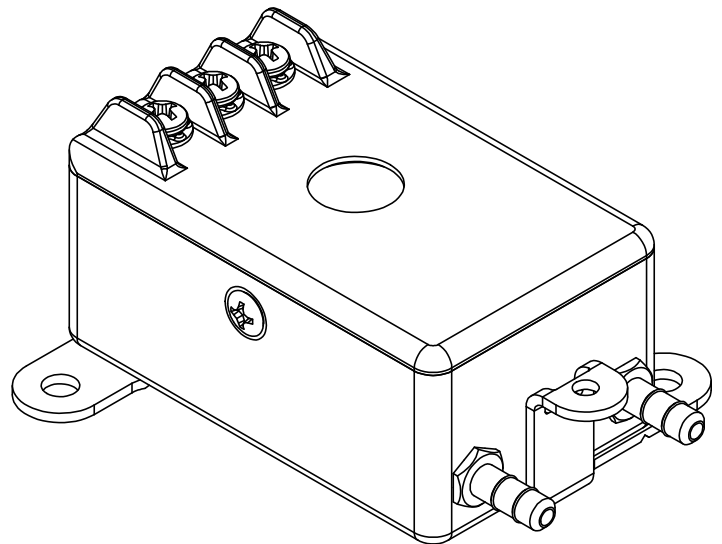
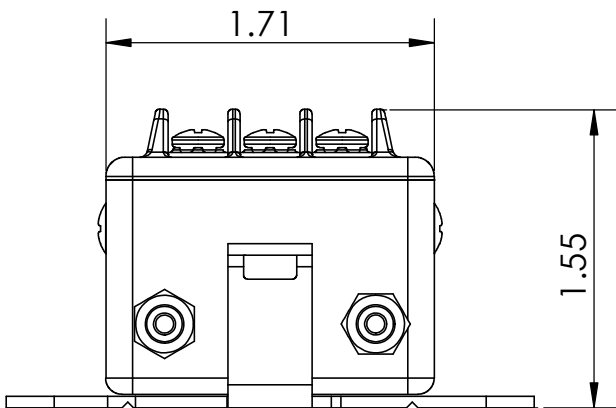
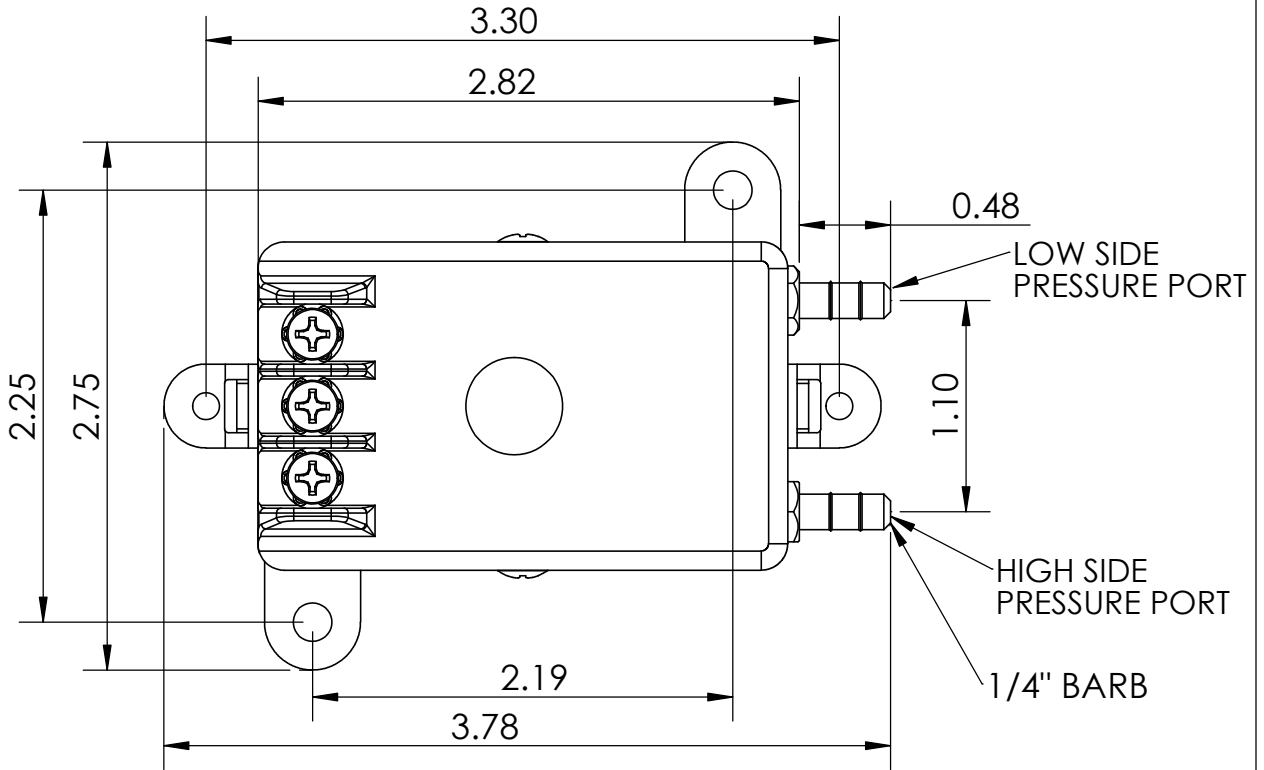


This drawing includes confidential information which is the property of ASHCROFT INC. This copy is loaned for a specific purpose, with the understanding that it will not be reproduced or used for any other purpose or disclosed to others, and it will be returned on demand.

ASHCROFT® INC.

250 EAST MAIN STREET
STRATFORD, CT 06614



NOTE: ALL DIMENSIONS ARE IN INCHES

REV.	ECO	DESCRIPTION	BY	DATE
A	0007281	RELEASED GENERAL DIMS.	KK	6/4/2014

This print certified correct for		General Dimensions			
Customer's Name		RXLdp Diffirential Pressure Transmitter			
		ASHCROFT RX7MB2-XX-ST-XXXXXX			
Customer's Order No.		Drawn KK	Date 06/04/14	Date of Issue	
Ashcroft Order No.		Checked	Date	SHEET-1	Rev.
Certified by	Date	Approved	Date	70A3993	A