

ZT60 High Purity Pressure Transmitter with Display

Features

- 3½ digit LED display with NPN or PNP switch outputs
- 316L Stainless steel pressure fitting
- 7 µin Ra surface finish option
- A wide variety of available process connections
- 100% Helium leak tested
- Class 10 cleanroom packaged (UC and EP grades are double bagged)
- Available in gauge and compound ranges

Typical Uses

- High purity gas delivery systems
- Gas sticks
- Process gas analyzers

Performance Specifications

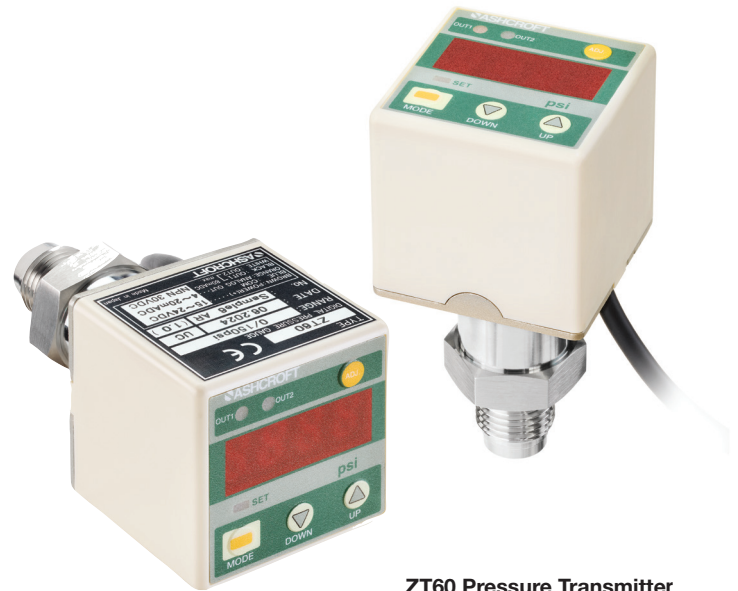
Static Accuracy:	± 0.50% or ± 1.0% of span @ 73 °F (23 °C) Accuracy includes the effects of linearity, hysteresis and repeatability
Display Accuracy:	± 0.50% of span (+ 1 digit) @ 73 °F (23 °C) or ± 1.0% of span (+ 1 digit) @ 73 °F (23 °C) (Ranges less than 75#, 5BR or P5MP, limited to ± 1.0% of span accuracy)
Stability:	± 0.25% of span/year
Temperature Effect:	± 0.05% of span /°C for units with ± 0.50% of span accuracy (Zero and Span) in operating temperature range ± 0.10% of span /°C for units with ± 1.0% of span accuracy (Zero and Span) in operating temperature range

Environmental Specifications

Operating Temperature:	14 °F to 122 °F (-10 °C to 50 °C)
Storage Temperature:	-4 °F to 122 °F (-20 °C to 60 °C)
Humidity:	35% to 80% RH

Functional Specifications

Ranges:	Compound: Vacuum & 15 psi to Vacuum & 300 psi Gauge: 0-30 psi to 0-3000 psi
Analog Output Response Time:	≤ 50 mS
Digital Display Response Time:	200 mS
Adjustable Response Time for Analog Output & Digital Display: (Filtering/Dampening)	no filter, 25 mS, 250 mS, 2.5 s, 5 s, 10 s
Leakage Test:	< 5 x 10 ⁻¹¹ atm cc/s
Proof Pressure:	150% of F.S. (EP & GP grades) 200% of F.S. (UC & BA grades)



ZT60 Pressure Transmitter



Key Benefits

- Bright easy-to-see LED
- Ultraclean design & packaging
- 316L Stainless steel & CoNi wetted parts for protection against corrosion

Electrical Specifications

Output Signal:	4-20 mA (2 Wire) or 1-5 Vdc (3 Wire)
Supply Voltage	15-24 Vdc for 4-20 mA version 12-24 Vdc for 1-5 Vdc version
Load Resistance:	Rmax = 400Ω for 4-20 mA output Rmin = 10kΩ for 1-5 Vdc output
EMC/EMI:	EN61326-1:2013, EN61326-2-3:2013
LED Display:	3½ digit LED display
LED Character Size:	0.3" Height
Hold function:	Displays Max/Min value
Electrical cable:	PVC jacketed 5-conductor cable with 25 AWG lead-wires

Contact Us

1.800.328.8258
ashcroft.com

All specifications are subject to change without notice. All sales subject to standard terms and conditions.

Ashcroft® and Trust the Shield® are trademarks of Ashcroft Inc. The following non-Ashcroft trademarks are the property of their respective owners: VCR®. For more information, see [Ashcroft Brands & Trademarks](#)

©2025 Ashcroft Inc. ZT60_transmitter_ds_RevA_09-22-25

ZT60 High Purity Pressure Transmitter with Display

Comparator Output

NPN or PNP open collector with two independent outputs	
Load Current:	80 mA DC or less.
Applied Voltage:	30 Vdc or less (NPN output)
Residual Voltage:	1 Vdc or less at 80 mA DC of load current
Short circuit protection:	Over-current protection
Response Time:	5 mS or less (no filter)
Deadband:	Hysteresis Mode (Variable) Window Comparator Mode (1% of Span fixed)
Delay:	0 to 2 sec variable (for both ON and OFF)
Comparator operation display LED:	Red LED (OUT 1,2) lights when turning on the power

Physical Specifications

Case Material:	Polycarbonate & ABS (UL94V-0)	
Pressure Connection:	1/16"-18 UNF or 7/16"-14 UNF (compatible with various VCR®, UJR and CVC fittings.)	
Surface Finish:	Ultra Clean (UC) Grade	7 µin (0.18 µm) Ra avg., 28 µin (0.7 µm) Rz max.
	Electro Polishing (EP) Grade	7 µin (0.18 µm) Ra avg.
	General Purpose (GP) Grade	20 µin (0.5 µm) Ra avg.
	Bright Annealing (BA) Grade	98 µin (2.5 µm) Rz avg.
Cable Length:	2 meters	
Unit Weight:	250 g	

Wetted Materials

Pressure Sensor:	Co-Ni (UC & BA grades)
	316L Stainless steel (EP & GP grades)
Fitting:	316L Stainless steel

Approvals

CE, RoHS

ZT60 High Purity Pressure Transmitter with Display

Ordering Code	Example:	ZT60	2	3	E	150#	7	P	1	1	-X1N
Model											
ZT60		ZT60									
Mounting (Note: All available 3 digit codes- Mounting/Connection/Cleaning Grade are listed on the dimensional drawing pages.)											
1 - Horizontal Mounting, Type T											
2 - Horizontal Mounting, Type S											
A - Vertical Mounting, Type S											
Pressure Connection											
3 - ¼ Compatible with VCR® Male Integrated											
4 - ½ (or ¾) Compatible with VCR® Male Integrated (Horizontal Type T Mounting only, EP Grade only)											
J - ¼ VCR® Male Nut (UC and BA Grade only)											
K - ¾ VCR® Male Nut (Horizontal Type T Mounting only, UC Grade only)											
L - ¼ VCR® Female Nut (Bearings not included, UC and BA Grade only)											
M - ¾ VCR® Female Nut (Bearings not included, Horizontal Type T Mounting only, UC Grade Only)											
N - ¼ UJR Male Nut											
P - ¾ UJR Male Nut (Horizontal Type T Mounting only, UC and EP Grade only)											
Q - ¼ UJR Female Nut											
R - ¾ UJR Female Nut (Horizontal Type T Mounting only, UC and EP Grade only)											
W - ¼ CVC Male Nut (UC and BA Grade only)											
X - ¾ CVC Male Nut (Horizontal Type T Mounting only, UC Grade only)											
Y - ¼ CVC Female Nut (Bearings not included, UC and BA Grade only)											
Z - ¾ CVC Female Nut (Bearings not included, Horizontal Type T Mounting only, UC Grade only)											
Surface Finish/Cleaning Grade											
6 - UC Grade, 7 µin (0.18 µm) Ra avg., 28 µin (0.7 µm) Rz maximum											
N - BA Grade, 98 µin (2.5 µm) Rz avg.											
E - EP Grade, 7 µin (0.18 µm) Ra avg.											
G - GP Grade, 20 µin (0.5 µm) Ra avg.											
Pressure Range											
150# - See pressure range table on page four for all standard ranges											
Display Accuracy											
5 - ±0.50% of span +1 digit (this accuracy not available for ranges below 75#, below 5BR or below P5MP)											
7 - ±1.00% of span +1 digit											
Input Power Supply											
N - 12 to 24 Vdc (1-5 Vdc version)											
P - 15 to 24 Vdc (4-20 mA version)											
Comparator Output											
1 - PNP open collector with two outputs (80 mA max)											
3 - NPN open collector with two outputs (30 Vdc, 80 mA max)											
Analog Output											
1 - 4 to 20 mA output											
8 - 1 to 5 Vdc output											
0 - No analog output											
Options (If indicating an option, must include an "X" (-X...))											
1 - Material Test Report/Traceability Certificate											

ZT60 High Purity Pressure Transmitter with Display

Standard Pressure Range Code Table

V/15#	Vac to 15 psi (Only available as 1.00% accuracy)
V/30#	Vac to 30 psi (Only available as 1.00% accuracy)
V/45#	Vac to 45 psi (Only available as 1.00% accuracy)
V/75#	Vac to 75 psi
V/150#	Vac to 150 psi
V/300#	Vac to 300 psi
30#	30 psi (Only available as 1.00% accuracy)
45#	45 psi (Only available as 1.00% accuracy)
75#	75 psi
150#	150 psi
300#	300 psi
500#	500 psi
750#	750 psi
1500#	1500 psi
3000#	3000 psi
N100/100KP	(-) 100 to 100 kPa (Only available as 1.00% accuracy)
N100/200KP	(-) 100 to 200 kPa (Only available as 1.00% accuracy)
N100/300KP	(-) 100 to 300 kPa (Only available as 1.00% accuracy)
NP1/P5MP	(-) 0.1 to 0.5 Mpa
NP1/1MP	(-) 0.1 to 1 Mpa
NP1/2MP	(-) 0.1 to 2 Mpa
200KP	200 kPa (Only available as 1.00% accuracy)
300KP	300 kPa (Only available as 1.00% accuracy)
P5MP	0.5 Mpa
1MP	1 Mpa
2MP	2 Mpa
3.5MP	3.5 Mpa
5MP	5 Mpa
10MP	10 Mpa
20MP	20 Mpa
N1/1BR	(-) 1 to 1 Bar (Only available as 1.00% accuracy)
N1/2BR	(-) 1 to 2 Bar (Only available as 1.00% accuracy)
N1/3BR	(-) 1 to 3 Bar (Only available as 1.00% accuracy)
N1/5BR	(-) 1 to 5 Bar
N1/10BR	(-) 1 to 10 Bar
N1/20BR	(-) 1 to 20 Bar
2BR	2 Bar (Only available as 1.00% accuracy)
3BR	3 Bar (Only available as 1.00% accuracy)
5BR	5 Bar
10BR	10 Bar
20BR	20 Bar
35BR	30 Bar
50BR	50 Bar
100BR	100 Bar
200BR	200 Bar

ZT60 High Purity Pressure Transmitter with Display

Wiring Diagrams

Electric Connection

Colored cables are used as described below. Confirm the connection before power is on. Warm up the unit and allow it to stabilize for about five minutes after power up before adjusting the zero point and starting measurements.

Wiring for Analog Outputs

- Brown - Power source (+)
- Blue - Common for power source (-) and analog output (-)
- Black - Open collector output 1
- White - Open collector output 2
- Orange - Analog output (+)

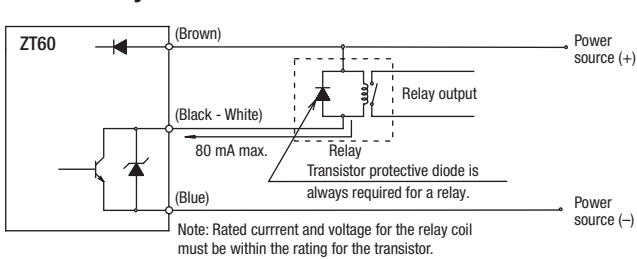
Internal Type

Output Type: The comparator output comprises open collector output. The analog output comprises 4 to 20 mA current output or any of the voltage outputs.

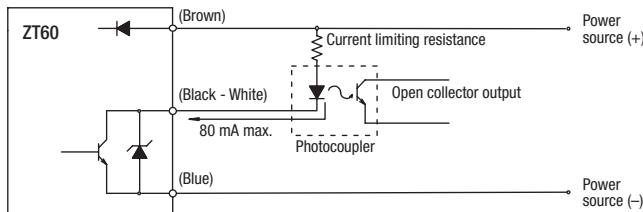
“Open collector” means that the collector of an output transistor is open for the user to use for any desired user defined application. Accordingly, the user is free to use the open collector output in any way.

The output transistor is rated for 30 Vdc, 80 mA.
Be sure not to exceed this rating.

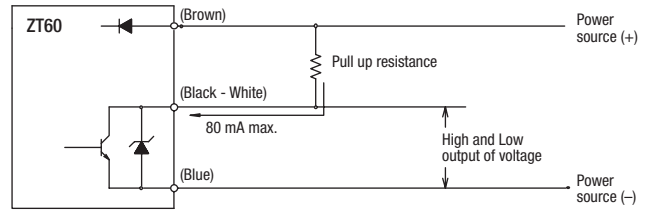
1. Wiring for open NPN Collector



b. with photocoupler

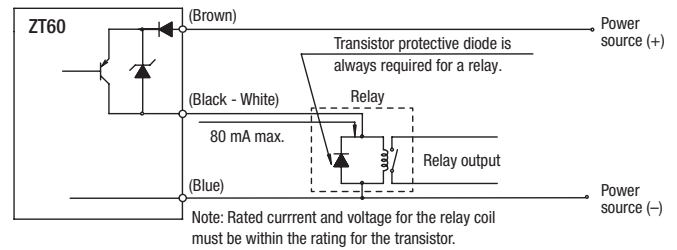


c. Voltage Output

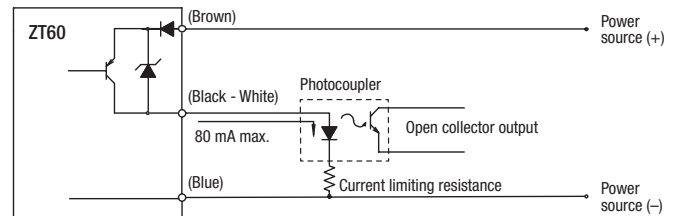


2. Wiring for open PNP Collector

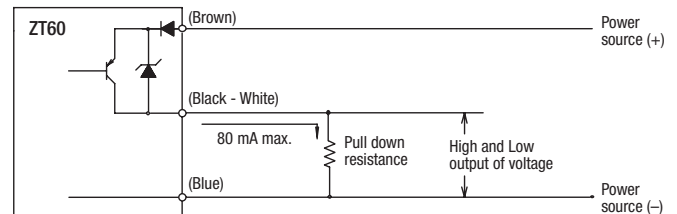
a. with relay



b. with photocoupler



c. Voltage Output

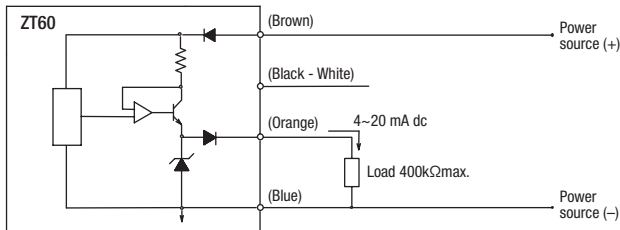


ZT60 High Purity Pressure Transmitter with Display

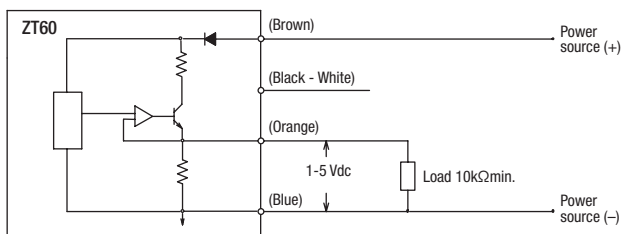
Wiring Diagrams

3. Wiring for Analog Outputs

a. 4-20 mA output



b. Voltage Output: 1-5 Vdc



Noise Precautions

Power Lines

Noise on the power lines can cause fluctuating pressure indication and incorrect operation. Check the cable routing for the DC power lines and use a power source of a high noise removal rate.

Output Lines

The internal circuit of the open collector output is connected to that of the output line. Take special care when routing the wires and make the wires as short as possible.

Induced Noise

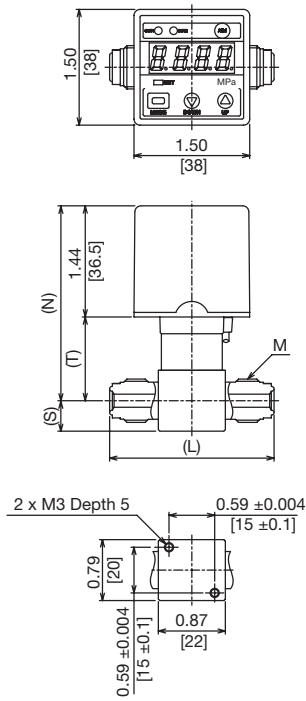
The unit may operate erroneously when subjected to external induction. Keep off a noise source, change the direction, or provide a magnetic or static shield, etc.

ZT60 High Purity Pressure Transmitter with Display

Dimensions are in inches [mm] for UC/BA/EP/GP Grade

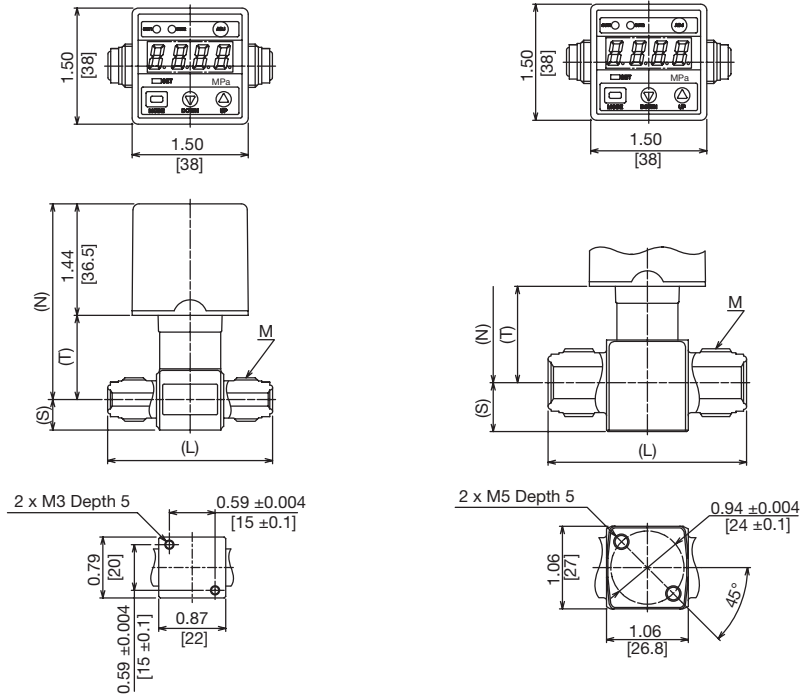
Horizontal Mounting - Type T - Male Integrated

UC/BA Grade



Compatible with 1/4 VCR®

EP/GP Grade



Compatible with 1/2 (3/8) VCR®

Grade	Connection	Piping Dia.	Screw Size M	Dimensions				Model Number
				N	T	S	L	
UC	Compatible with VCR® Male Intergrated	1/4	9/16-18UNF	2.52 [64]	1.08 [27.5]	0.39 [10]	2.13 [54]	ZT60-136

Grade	Connection	Piping Dia.	Screw Size M	Dimensions				Model Number
				N	T	S	L	
BA	Compatible with VCR® Male Intergrated	1/4	9/16-18UNF	2.52 [64]	1.08 [27.5]	0.39 [10]	2.13 [54]	ZT60-13N

Grade	Connection	Piping Dia.	Screw Size M	Dimensions				Model Number
				N	T	S	L	
EP	Compatible with VCR® Male Intergrated	1/4	9/16-18UNF	2.52 [64]	1.08 [27.5]	0.39 [10]	2.13 [54]	ZT60-13E
		1/2 (3/8)	7/8-14	2.68 [68]	1.24 [31.5]	0.63 [16]	2.56 [65]	ZT60-14E

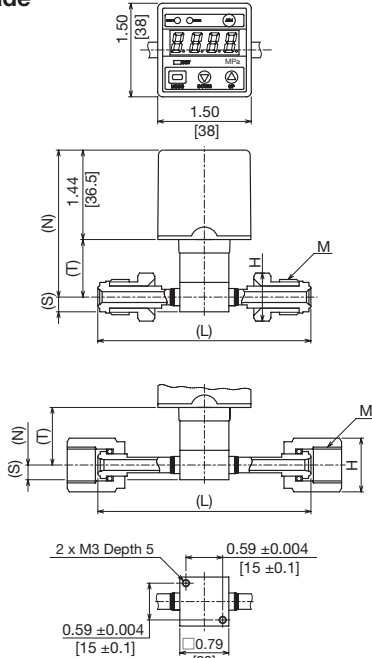
Grade	Connection	Piping Dia.	Screw Size M	Dimensions				Model Number
				N	T	S	L	
GP	Compatible with VCR® Male Intergrated	1/4	9/16-18UNF	2.52 [64]	1.08 [27.5]	0.39 [10]	2.13 [54]	ZT60-13G

ZT60 High Purity Pressure Transmitter with Display

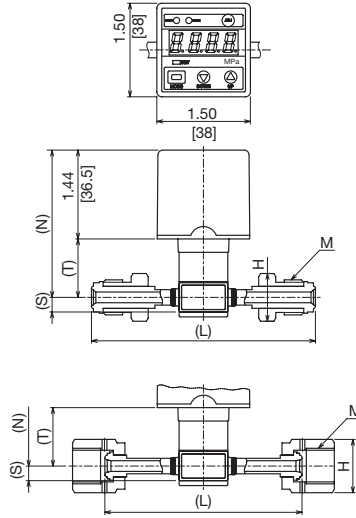
Dimensions are in inches [mm] for UC/BA Grade

Horizontal Mounting - Type T - Male Nut / Female Nut

UC Grade



BA Grade



BA Grade doesn't have screw.

Grade	Connection	Piping Dia.	Screw Size M	Dimensions					Model Number
				N	T	S	H	L	
UC	VCR® Male Nut	1/4	9/16-18UNF	2.36 [60]	0.93 [23.5]	0.24 [6]	0.63 x 0.73 [16 x 18.5] Hex	3.39 [86]	ZT60-1J6
		3/8	7/8-14UNF	2.58 [65.5]	1.14 [29]	0.28 [7]	0.94 x 1.09 [24 x 27.7] Hex	3.56 [90.5]	ZT60-1K6
	VCR® Female Nut (Bearings are not included)	1/4	9/16-18UNF	2.36 [60]	0.93 [23.5]	0.24 [6]	0.75 x 0.86 [19 x 21.9] Hex	3.18 [80.8]	ZT60-1L6
		3/8	7/8-14UNF	2.58 [65.5]	1.14 [29]	0.28 [7]	1.06 x 1.23 [27 x 31.2] Hex	3.22 [81.8]	ZT60-1M6
	UJR Male Nut	1/4	9/16-18UNF	2.36 [60]	0.93 [23.5]	0.24 [6]	0.67 x 0.77 [17 x 19.6] Hex	3.43 [87]	ZT60-1N6
		3/8	7/8-14UNF	2.58 [65.5]	1.14 [29]	0.28 [7]	0.91 x 1.05 [23 x 26.6] Hex	3.94 [100]	ZT60-1P6
	UJR Female Nut (With pure ring)	1/4	9/16-18UNF	2.36 [60]	0.93 [23.5]	0.24 [6]	0.75 x 0.86 [19 x 21.9] Hex	3.43 [87]	ZT60-1Q6
		3/8	7/8-14UNF	2.58 [65.5]	1.14 [29]	0.28 [7]	1.02 x 1.18 [26 x 30] Hex	3.94 [100]	ZT60-1R6
	CVC Male Nut	1/4	9/16-18UNF	2.36 [60]	0.93 [23.5]	0.24 [6]	0.62 x 0.72 [15.8 x 18.2] Hex	3.39 [86]	ZT60-1W6
		3/8	7/8-14UNF	2.58 [65.5]	1.14 [29]	0.28 [7]	0.94 x 1.08 [23.8 x 27.5] Hex	3.57 [90.6]	ZT60-1X6
	CVC Female Nut (Bearings are not included)	1/4	9/16-18UNF	2.36 [60]	0.93 [23.5]	0.24 [6]	0.75 x 0.86 [19 x 21.9] Hex	3.18 [80.8]	ZT60-1Y6
		3/8	7/8-14UNF	2.58 [65.5]	1.14 [29]	0.28 [7]	1.06 x 1.23 [27 x 31.2] Hex	3.23 [82]	ZT60-1Z6

Grade	Connection	Piping Dia.	Screw Size M	Dimensions					Model Number
				N	T	S	H	L	
BA	VCR® Male Nut	1/4	9/16-18UNF	2.38 [60.5]	0.94 [24]	0.24 [6]	0.63 x 0.73 [16 x 18.5] Hex	3.39 [86]	ZT60-1JN
	VCR® Female Nut (Bearings are not included)						0.75 x 0.86 [19 x 21.9] Hex	3.18 [80.8]	ZT60-1LN
	UJR Male Nut						0.67 x 0.77 [17 x 19.6] Hex	3.62 [92]	ZT60-1NN
	UJR Female Nut (Without pure ring)						0.75 x 0.86 [19 x 21.9] Hex	3.19 [81]	ZT60-1QN
	CVC Male Nut						0.62 x 0.72 [15.8 x 18.2] Hex	3.39 [86]	ZT60-1WN
	CVC Female Nut (Bearings are not included)						0.75 x 0.86 [19 x 21.9] Hex	3.18 [80.8]	ZT60-1YN

Contact Us

1.800.328.8258
ashcroft.com

All specifications are subject to change without notice. All sales subject to standard terms and conditions.

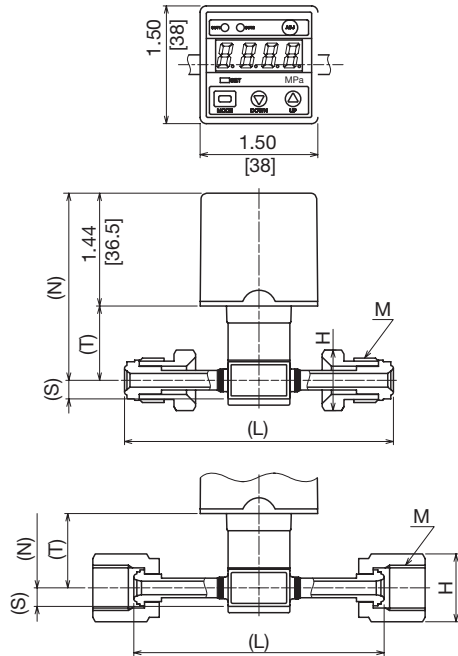
Ashcroft® and Trust the Shield® are trademarks of Ashcroft Inc. The following non-Ashcroft trademarks are the property of their respective owners: VCR®. For more information, see [Ashcroft Brands & Trademarks](#)

©2025 Ashcroft Inc. ZT60_transmitter_ds_RevA_09-22-25

ZT60 High Purity Pressure Transmitter with Display

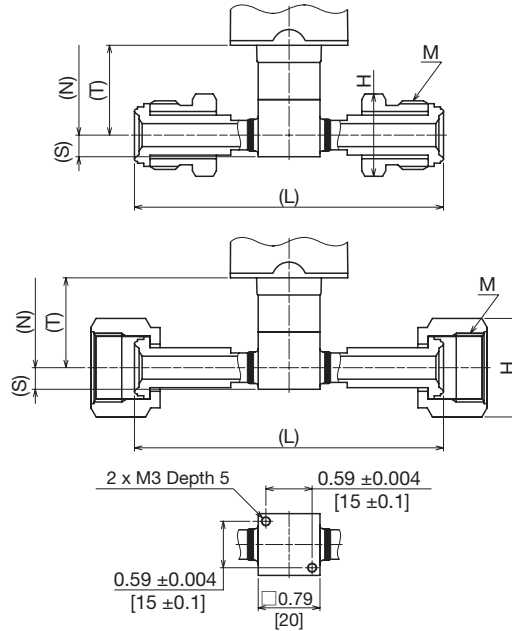
Dimensions are in inches [mm] for EP/GP Grade

Horizontal Mounting - Type T - Male Nut / Female Nut



* There is no M3 screw on the piping diameter 1/4.

1/4UJR



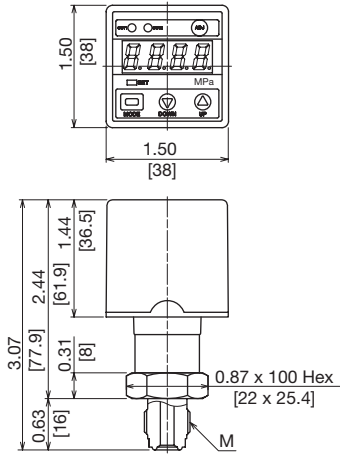
3/8UJR

Grade	Connection	Piping Dia.	Screw Size M	Dimensions					Model Number
				N	T	S	H	L	
EP	UJR Male Nut	1/4	9/16-18UNF	2.38 [60.5]	0.94 [24]	0.24 [6]	0.67 x 0.77 [17 x 19.6] Hex	3.43 [87]	ZT60-1NE
		3/8	7/8-14UNF	2.58 [65.5]	1.14 [29]	0.28 [7]	0.91 x 1.05 [23 x 26.6] Hex	3.94 [100]	ZT60-1PE
	UJR Female Nut (Without pure ring)	1/4	9/16-18UNF	2.38 [60.5]	0.94 [24]	0.24 [6]	0.75 x 0.86 [19 x 21.9] Hex	3.19 [81]	ZT60-1QE
		3/8	7/8-14UNF	2.58 [65.5]	1.14 [29]	0.28 [7]	1.02 x 1.18 [26 x 30] Hex	3.94 [100]	ZT60-1RE
Grade	Connection	Piping Dia.	Screw Size M	Dimensions					Model Number
				N	T	S	H	L	
GP	UJR Male Nut	1/4	9/16-18UNF	2.38 [60.5]	0.94 [24]	0.24 [6]	0.67 x 0.77 [17 x 19.6] Hex	3.43 [87]	ZT60-1NG
	UJR Female Nut (Without pure ring)						0.75 x 0.86 [19 x 21.9] Hex	3.19 [81]	ZT60-1QG

ZT60 High Purity Pressure Transmitter with Display

Dimensions are in inches [mm] for UC/BA/EP/GP Grade

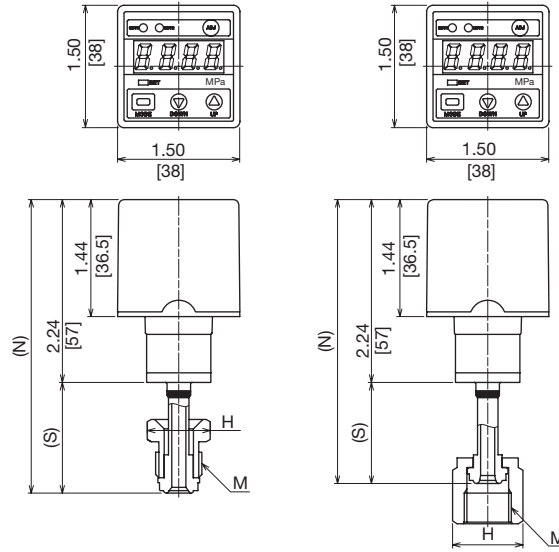
Horizontal Mounting - Type S - Male Integrated



Compatible with 1/4 VCR

Grade	Connection	Piping Dia.	Screw Size M	Model Number
UC	Compatible with VCR® Male Integrated	1/4	9/16-18UNF	ZT60-236

Horizontal Mounting - Type S - Male Nut / Female Nut



Grade	Connection	Piping Dia.	Screw Size M	Dimensions			Model Number
				N	S	H	
UC	VCR® Male Nut	1/4	9/16-18UNF	3.58 [91]	1.39 [34]	0.63 x 0.73 [16 x 18.5] Hex	ZT60-2J6
	VCR® Female Nut (Bearings are not included)			3.48 [88.4]	1.24 [31.4]	0.75 x 0.86 [19 x 21.9] Hex	ZT60-2L6
	UJR Male Nut			3.70 [94]	1.46 [37]	0.67 x 0.77 [17 x 19.6] Hex	ZT60-2N6
	UJR Female Nut (With pure ring)			3.60 [91.5]	1.41 [34.5]	0.75 x 0.86 [19 x 21.9] Hex	ZT60-2Q6
	CVC Male Nut			3.66 [93]	1.42 [36]	0.62 x 0.72 [15.8 x 18.2] Hex	ZT60-2W6
	CVC Female Nut (Bearings are not included)			3.48 [88.4]	1.24 [31.4]	0.75 x 0.86 [19 x 21.9] Hex	ZT60-2Y6

Grade	Connection	Piping Dia.	Screw Size M	Model Number
BA	Compatible with VCR® Male Integrated	1/4	9/16-18UNF	ZT60-23N

Grade	Connection	Piping Dia.	Screw Size M	Dimensions			Model Number
				N	S	H	
BA	VCR® Male Nut	1/4	9/16-18UNF	3.58 [91]	1.39 [34]	0.63 x 0.73 [16 x 18.5] Hex	ZT60-2JN
	VCR® Female Nut (Bearings are not included)			3.10 [78.8]	0.86 [21.8]	0.75 x 0.86 [19 x 21.9] Hex	ZT60-2LN
	UJR Male Nut			3.70 [94]	1.46 [37]	0.67 x 0.77 [17 x 19.6] Hex	ZT60-2NN
	UJR Female Nut (Without pure ring)			3.10 [78.7]	0.85 [21.7]	0.75 x 0.86 [19 x 21.9] Hex	ZT60-2QN
	CVC Male Nut			3.66 [93]	1.42 [36]	0.62 x 0.72 [15.8 x 18.2] Hex	ZT60-2WN
	CVC Female Nut (Bearings are not included)			3.48 [88.4]	1.24 [31.4]	0.75 x 0.86 [19 x 21.9] Hex	ZT60-2YN

Grade	Connection	Piping Dia.	Screw Size M	Model Number
EP	Compatible with VCR® Male Integrated	1/4	9/16-18UNF	ZT60-23E

Grade	Connection	Piping Dia.	Screw Size M	Dimensions			Model Number
				N	S	H	
EP	UJR Male Nut	1/4	9/16-18UNF	3.60 [91.5]	1.41 [34.5]	0.67 x 0.77 [17 x 19.6] Hex	ZT60-2NE
	UJR Female Nut (Without pure ring)			3.48 [88.5]	1.24 [31.5]	0.75 x 0.86 [19 x 21.9] Hex	ZT60-2QE

Grade	Connection	Piping Dia.	Screw Size M	Model Number
GP	Compatible with VCR® Male Integrated	1/4	9/16-18UNF	ZT60-23G

Grade	Connection	Piping Dia.	Screw Size M	Dimensions			Model Number
				N	S	H	
GP	UJR Male Nut	1/4	9/16-18UNF	3.60 [91.5]	1.41 [34.5]	0.67 x 0.77 [17 x 19.6] Hex	ZT60-2NG
	UJR Female Nut (Without pure ring)			3.48 [88.5]	1.24 [31.5]	0.75 x 0.86 [19 x 21.9] Hex	ZT60-2QG

Contact Us

1.800.328.8258
ashcroft.com

All specifications are subject to change without notice. All sales subject to standard terms and conditions.

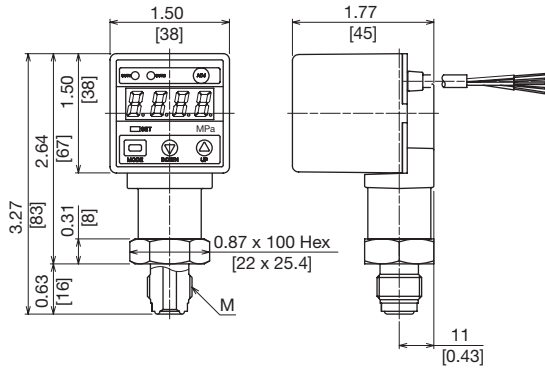
Ashcroft® and Trust the Shield® are trademarks of Ashcroft Inc. The following non-Ashcroft trademarks are the property of their respective owners: VCR®. For more information, see [Ashcroft Brands & Trademarks](#)

©2025 Ashcroft Inc. ZT60_transmitter_ds_RevA_09-22-25

ZT60 High Purity Pressure Transmitter with Display

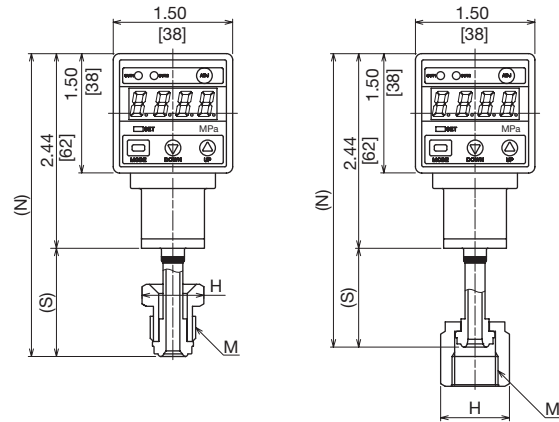
Dimensions are in inches [mm] for UC/BA/EP/GP Grade

Vertical Mounting - Type S - Male Integrated



Compatible with 1/4 VCR

Vertical Mounting - Type S - Male Nut / Female Nut



Grade	Connection	Piping Dia.	Screw Size M	Model Number
UC	Compatible with VCR® Male Integrated	1/4	9/16-18UNF	ZT60-A36

Grade	Connection	Piping Dia.	Screw Size M	Dimensions			Model Number
				N	S	H	
UC	VCR® Male Nut	1/4	9/16-18UNF	3.78 [96]	1.39 [34]	0.63 x 0.73 [16 x 18.5] Hex	ZT60-AJ6
	VCR® Female Nut (Bearings are not included)			3.68 [93.4]	1.24 [31.4]	0.75 x 0.86 [19 x 21.9] Hex	ZT60-AL6
	UJR Male Nut			3.90 [99]	1.46 [37]	0.67 x 0.77 [17 x 19.6] Hex	ZT60-AN6
	UJR Female Nut (With pure ring)			3.80 [96.5]	1.41 [34.5]	0.75 x 0.86 [19 x 21.9] Hex	ZT60-AQ6
	CVC Male Nut			3.86 [98]	1.42 [36]	0.62 x 0.72 [15.8 x 18.2] Hex	ZT60-AW6
	CVC Female Nut (Bearings are not included)			3.68 [93.4]	1.24 [31.4]	0.75 x 0.86 [19 x 21.9] Hex	ZT60-AY6

Grade	Connection	Piping Dia.	Screw Size M	Model Number
BA	Compatible with VCR® Male Integrated	1/4	9/16-18UNF	ZT60-A3N

Grade	Connection	Piping Dia.	Screw Size M	Dimensions			Model Number
				N	S	H	
BA	VCR® Male Nut	1/4	9/16-18UNF	3.78 [96]	1.39 [34]	0.63 x 0.73 [16 x 18.5] Hex	ZT60-AJN
	VCR® Female Nut (Bearings are not included)			3.30 [83.8]	0.86 [21.8]	0.75 x 0.86 [19 x 21.9] Hex	ZT60-ALN
	UJR Male Nut			3.90 [99]	1.46 [37]	0.67 x 0.77 [17 x 19.6] Hex	ZT60-ANN
	UJR Female Nut (Without pure ring)			3.30 [83.7]	0.85 [21.7]	0.75 x 0.86 [19 x 21.9] Hex	ZT60-AQN
	CVC Male Nut			3.86 [98]	1.42 [36]	0.62 x 0.72 [15.8 x 18.2] Hex	ZT60-AWN
	CVC Female Nut (Bearings are not included)			3.68 [93.4]	1.24 [31.4]	0.75 x 0.86 [19 x 21.9] Hex	ZT60-AYN

Grade	Connection	Piping Dia.	Screw Size M	Model Number
EP	Compatible with VCR® Male Integrated	1/4	9/16-18UNF	ZT60-A3E

Grade	Connection	Piping Dia.	Screw Size M	Dimensions			Model Number
				N	S	H	
EP	UJR Male Nut	1/4	9/16-18UNF	3.80 [96.5]	1.41 [34.5]	0.67 x 0.77 [17 x 19.6] Hex	ZT60-ANE
	UJR Female Nut (Without pure ring)			3.68 [93.5]	1.24 [31.5]	0.75 x 0.86 [19 x 21.9] Hex	ZT60-AQE

Grade	Connection	Piping Dia.	Screw Size M	Model Number
GP	Compatible with VCR® Male Integrated	1/4	9/16-18UNF	ZT60-A3G

Grade	Connection	Piping Dia.	Screw Size M	Dimensions			Model Number
				N	S	H	
GP	UJR Male Nut	1/4	9/16-18UNF	3.80 [96.5]	1.41 [34.5]	0.67 x 0.77 [17 x 19.6] Hex	ZT60-ANG
	UJR Female Nut (Without pure ring)			3.68 [93.5]	1.24 [31.5]	0.75 x 0.86 [19 x 21.9] Hex	ZT60-AQG

Contact Us

1.800.328.8258
ashcroft.com

All specifications are subject to change without notice. All sales subject to standard terms and conditions.

Ashcroft® and Trust the Shield® are trademarks of Ashcroft Inc. The following non-Ashcroft trademarks are the property of their respective owners: VCR®. For more information, see [Ashcroft Brands & Trademarks](#)

©2025 Ashcroft Inc. ZT60_transmitter_ds_RevA_09-22-25