

## Hand Operated Vacuum/Pressure Pumps



**Part Number: DPPV-KIT**  
**Combination Pressure and Vacuum pump**  
**+125 psi to -23 InHg vacuum**  
**Convert from Pressure to Vacuum by rotating a knob**

The DPPV is a rugged lightweight combination pressure and vacuum pump. The unique design allows the user to convert from pressure to vacuum by simply twisting a knob.

- Two outlet ports allow connection to

reference pressure gauge or pressure calibrator as well as device under test, thus eliminating a tee

- Large volume fine adjustment piston provides precise control, even at very low pressures
- Precisely vent pressure with soft seated bleed valve

Kit includes Pump, two 3 ft pressure hoses, (1 1/8" NPT Male and (1) 1/4" NPT male adaptor.



**Part Number: DCAP-KIT**  
**Pneumatic hand pump**

The DCAP is a rugged all metal pneumatic hand pump capable of generating up to 650 psi (45 bar). This portable device is ideal for field pressure calibration operations..

- The fine adjustment allows the operator to vary applied pressure within 0.001 psi.

- The soft sealed bleed valve allows for precisely controlled pressure relief.
- Two outlet ports with quick test adapters installed in the pump body

Kit includes pump, quantity 2 three-foot mating hoses, quantity one 1/4 male NPT adapter, quantity one 1/8 male NPT adaptor.



**Part Number: QTHP-KIT**  
**Hydraulic Hand Pump**

The QTHP is a portable hydraulic hand operated pump capable of generating up to 5000 psi (345 bar) using liquid media including water, alcohol, oils and hydraulic fluids

- The fine adjustment allows the operator to vary applied pressure within 0.01 psi.
- Two outlet ports with quick test adapters installed in pump body.

- Pressure media fluid must be compatible with wetted parts that are made from Buna-N, Teflon, polysulfone, brass, aluminum and stainless steel

Kit includes pump, quantity 2 three-foot mating hoses, quantity one 1/4 male NPT adapter, quantity one 1/8 male NPT adaptor

## Hand Operated Vacuum/Pressure Pumps



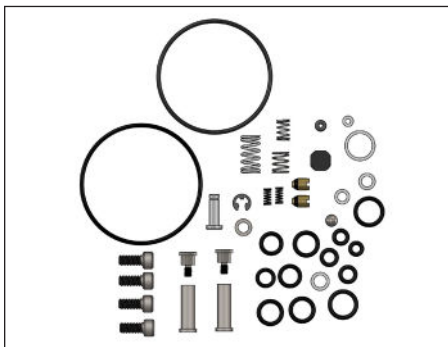
### Part Number DPPV - REPAIR KIT

DPPV pumps repair kit, includes (1) pressure and (1) vacuum check valve, O-rings, snap rings, set screws, Allen hex key



### Part Number: DCAP - REPAIR KIT

DCAP repair kit includes, O-rings, seals, valves and fasteners required to rebuild the DCAP hand pump.



### Part Number QTHP - REPAIR KIT

QTHP repair kit includes, O-rings, seals, valves and fasteners required to rebuild the QTHP hand pump.

Part Number	Description
840X006-01	1/8 NPT adapter M
840X006-02	1/4 NPT adapter M
840X006-03	1/8 NPT adapter F
840X006-04	1/4 NPT adapter F
840X006-05	1/4 tube fitting
840X007-01	Hose 3 ft
840X007-02	Hose 5 ft
856X034-01	Fitting kit includes 840X006-01, -02, -03, -04, 05
856X027-01	Fitting Kit includes (2) 1/8 NPT male x 1/8" barb (1) 1/8 NPT male x 1/8" barbed tee, (1) 1/8 NPT male x 1/8 NPT female tee (2) 1/8 NPT male x 1/4 NPT female, (2) 1/8 NPT male x 1/8 NPT male
840A021-01	Outlet port, quick test, no cover, connects directly to pump body
840A022-01	Outlet port, quick test, with cover, connects directly to pump body