

HPS High Purity Pressure Gauge with Reed Switch

50 mm Dial Size

Features

- 316L Stainless steel wetted parts
- Helium leak tested to 1 x 10⁻⁸ scc/s
- Cleaned in class 10,000 clean room
- Polyethylene-sealed after nitrogen gas flushing
- Packed in a Polyethylene-sealed bag after nitrogen gas flushing

Typical Uses

- High purity gas delivery systems
- Gas sticks
- Process gas analyzers
- Semiconductor
- Cylinder Cabinet
- Exhaust gas for CVD and etching equipment



HPS
50 mm dial size



Specifications

Accuracy:	±1.6% of span
Setting Accuracy:	±5.0% of span
Dial Sizes:	50 mm
Ranges:	0 to 60 psi, 0 to 3,000 psi
Surface Finish:	Tube and fitting < .38 µm Ra
Process Connection:	¼ Male or female VCR® type (¼-18UNF)
Process Conn. Location:	Lower
Window Material:	Polycarbonate
Dial:	White face, aluminum
Pointer	Black, aluminum
Approvals:	RoHS

Wetted Components

Bourdon Tube	Gland/Socket	Joints
316L SS	316L SS	Argon Arc Fully Welded

Non-Wetted Components

Case	Window
304 SS	Polycarbonate

Key Benefits

- Ultraclean design & packaging
- 100% Helium leak tested
- Serialized dial (7 digit)

Min/Max Temperature Limits

PROCESS

-4 °F to 140 °F (-20 °C to 60 °C)

Reed Switch Specifications

Power: 10 W

Maximum Voltage: 30V AC/DC

Maximum Current: 0.5A DC

Dead Band: Within 10% of span

Contact Us

1.800.328.8258

ashcroft.com

All specifications are subject to change without notice. All sales subject to standard terms and conditions. Ashcroft® and Trust the Shield® are trademarks of Ashcroft Inc. The following non-Ashcroft trademarks are the property of their respective owners: VCR®. For more information, see [Ashcroft Brands & Trademarks](#) ©2025 Ashcroft Inc. 50-hps_gauge_w-switch_ds_RevB_11-10-25

HPS High Purity Pressure Gauge with Reed Switch

50 mm Dial Size

Ordering Code	Example:	50	HPS	G	MVS	L	60#
Size							
50 - 50 mm		50					
Gauge Family							
HPS - High purity gauge (with reed switch)			HPS				
Purity Level							
G - Class 10,000				G			
Process Connection							
MVS - ¼ Male swivel VCR® type (¼ -18 UNF male)					MVS		
FVS - ¼ Female swivel VCR® type (¼ -18 UNF female)							
Process Connection Location							
L - Lower						L	
Range (See range table on page 3 for all standard ranges)							
# - psi							60#
BR - Bar							
KP - Kilopascals							
MP - Megapascals							

HPS High Purity Pressure Gauge with Reed Switch

50 mm Dial Size

Standard Ranges		
psi	bar	MPa
V/60#	N1/4BR	NP1/P4MP
-	N1/6BR	NP1/P6MP
V/150#	N1/10BR	NP1/1MP
V/200#	-	-
-	N1/15BR	-
-	-	NP1/1P6MP
V/300#	N1/20BR	-
-	-	NP1/2P5MP
60#	4BR	P4MP
-	6BR	P6MP
100#	-	-
150#	10BR	1MP
200#	-	-
-	16BR	1P6MP
300#	-	-
-	25BR	2P5MP
500#	-	-
600#	40BR	4MP
-	60BR	6MP
1000#	-	-
1500#	100BR	10MP
2000#	-	-
-	160BR	16MP
3000#	-	-
-	250BR	25MP

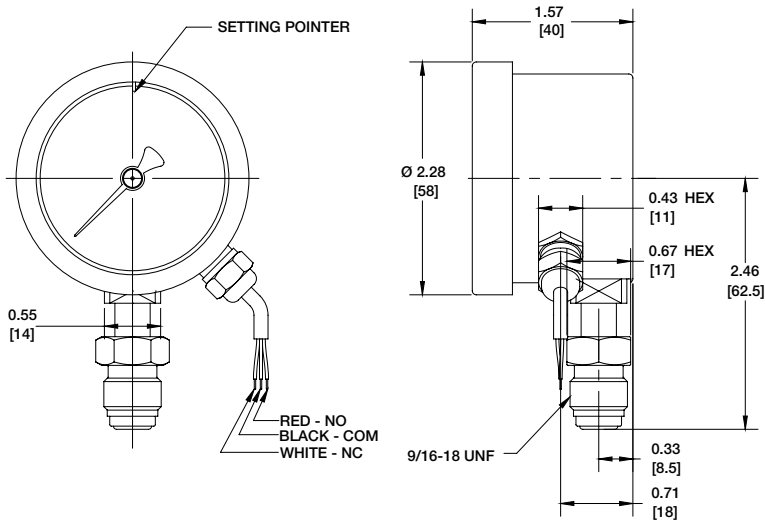
HPS High Purity Pressure Gauge with Reed Switch

50 mm Dial Size

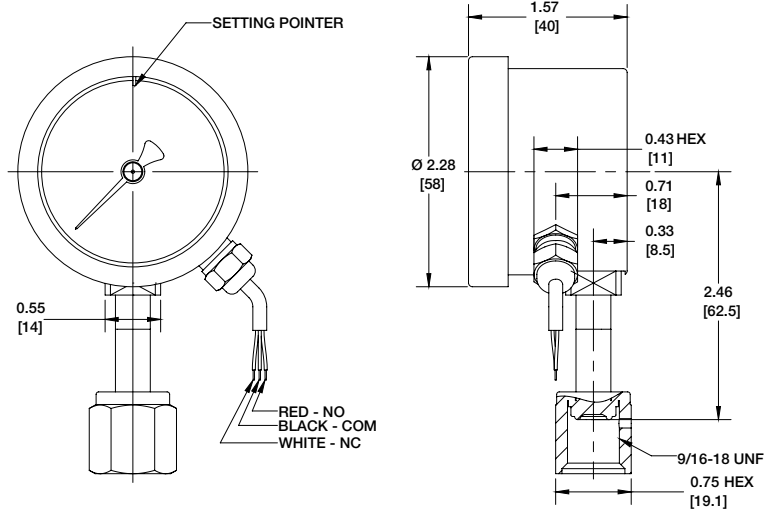
Dimensions in [] are millimeters

For reference only, consult Ashcroft for specific dimensional drawings

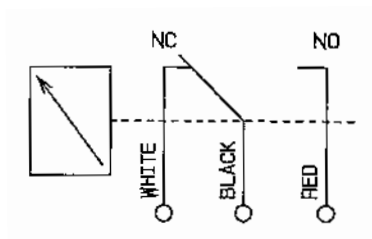
VCR® Male Process Connection



VCR® Female Process Connection



Wiring Diagram



Contact Us

1.800.328.8258

ashcroft.com

All specifications are subject to change without notice. All sales subject to standard terms and conditions. Ashcroft® and Trust the Shield® are trademarks of Ashcroft Inc. The following non-Ashcroft trademarks are the property of their respective owners: VCR®. For more information, see [Ashcroft Brands & Trademarks](#) ©2025 Ashcroft Inc. 50-hps_gauge_w-switch_ds_RevB_11-10-25