

## Data Sheet

# 1198 Finned Siphon

### FEATURES



### TYPICAL USES



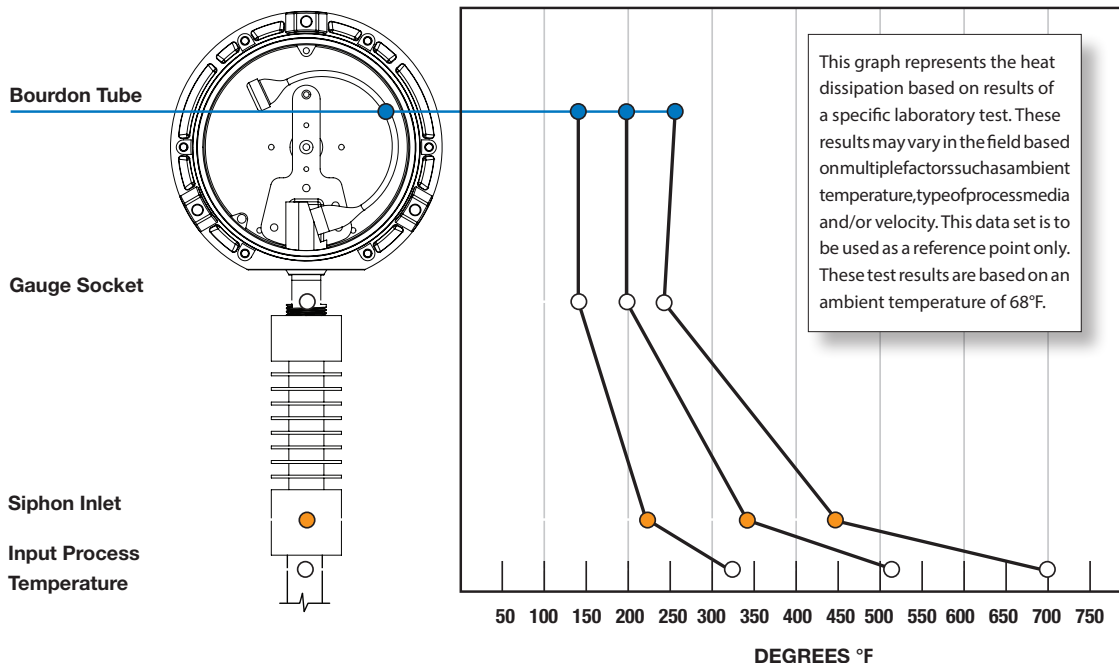
### SPECIFICATIONS

	¼ NPTM, ½ NPTM
Instrument Conn:	¼ NPTF, ½ NPTF
	316L stainless steel, Monel
Max Allowable	
Working Pressure:	3,000 psi (700°F)
	316L stainless steel

### KEY BENEFITS

- Protects instrument from elevated temperatures
- Direct mounting of instrument with siphon to the process
- Built-in dampening mechanism combats pulsation

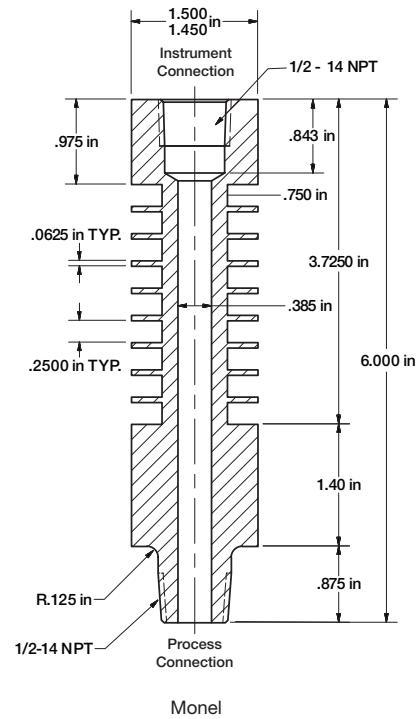
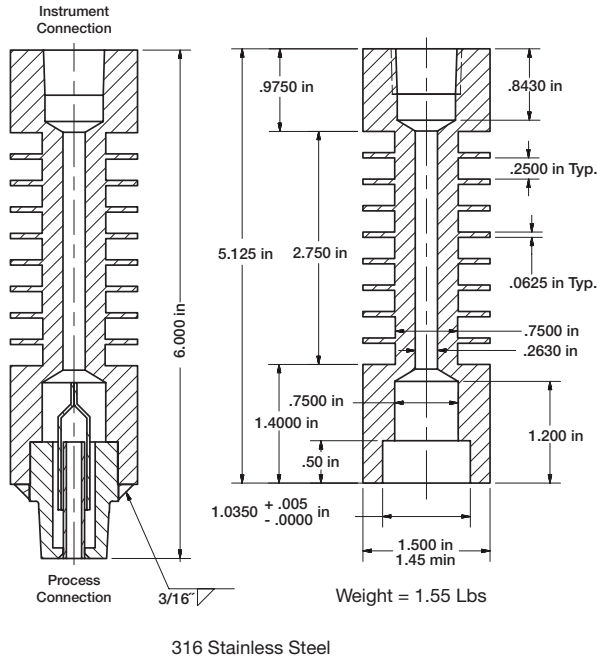
### FINNED SIPHON HEAT DISSIPATION CHART



# Data Sheet

## 1198 Finned Siphon

### DIMENSIONS



### ORDERING CODE

Example:

1198

50

#### Process Connection

02 - ¼ NPT Male, available with (25) ¼ NPT Female inst. connect only

04 - ½ NPT Male, available with (50) ½ NPT Female inst. connect only

04

#### Model

1198 - Finned siphon

1198

#### Material

SS - 316L stainless steel

SS

PM - Monel\*

#### Instrument Connection

25 - ¼ NPT Female

50 - ½ NPT Female

50

#### Options (If choosing an option(s) must include an "X")

5G - Instrument assembly: pressure gauge, siphon

5G

F3 - Instrument assembly: pressure gauge, diaphragm seal, siphon

NH - Wired stainless steel tag

6B - Cleaned for oxygen

6W - Cleaned for oxidizing process other than oxygen

C3 - Material certificate (Compliance to EN 10204.2004 3.1)

C3

\*Monel design does not include built-in dampening mechanism