

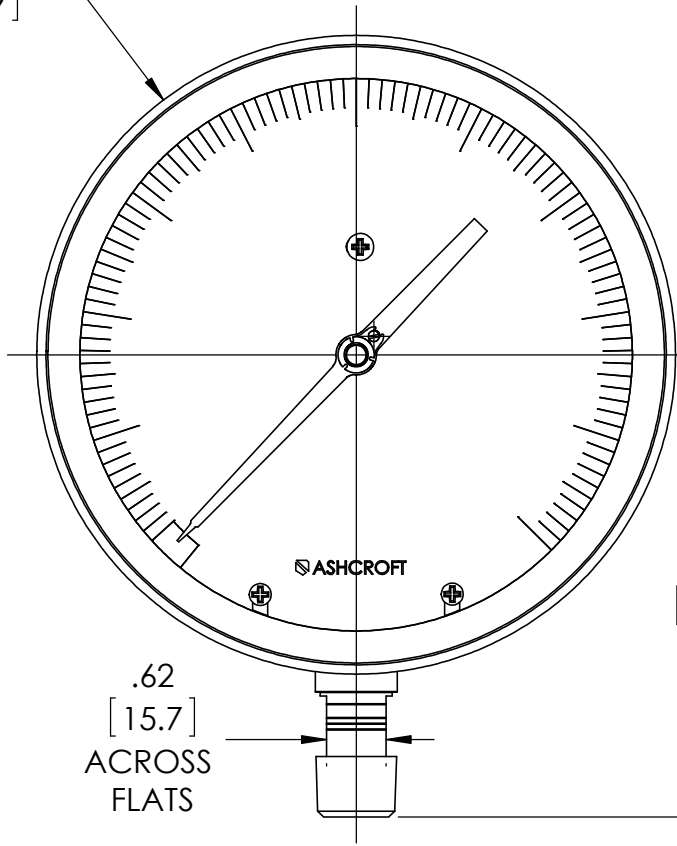


This drawing includes confidential information which is the property of ASHCROFT INC. This copy is loaned for a specific purpose, with the understanding that it will not be reproduced or used for any other purpose or disclosed to others, and it will be returned on demand.

**ASHCROFT** INC.

250 EAST MAIN STREET  
STRATFORD, CT 06614

$\phi 6.65$   
[169]



.62  
[15.7]  
ACROSS  
FLATS

4.81  
[122.2]

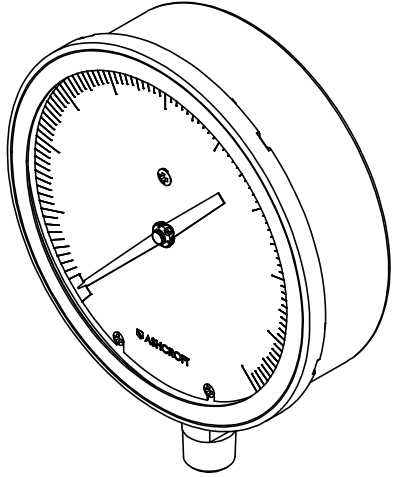
1/2" NPT

.41  
[10.4]

2.05  
[52]

$\phi 6.30$   
[160]

.88  
[22.4]



DIMENSIONS IN [ ] ARE MILLIMETERS

REV.	ECO	DESCRIPTION	BY	DATE
A	0004508	RELEASED GENERAL DIMS.	MJS	6/24/2011

This print certified correct for		<b>General Dimensions</b>  60 1009 04L SERIES		
Customer's Name				
Customer's Order No.	Drawn MJS	Date 6/24/11	Date of Issue	
Ashcroft Order No.	Checked	Date	SHEET-1	Rev.
Certified by	Date	Approved	Date	<b>70A3505</b>
				<b>A</b>