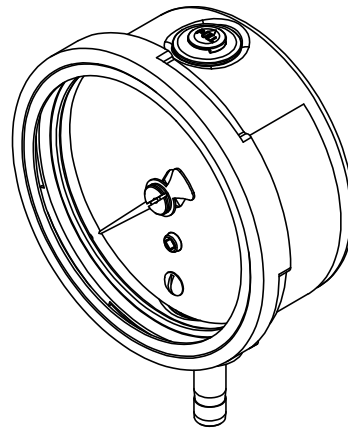
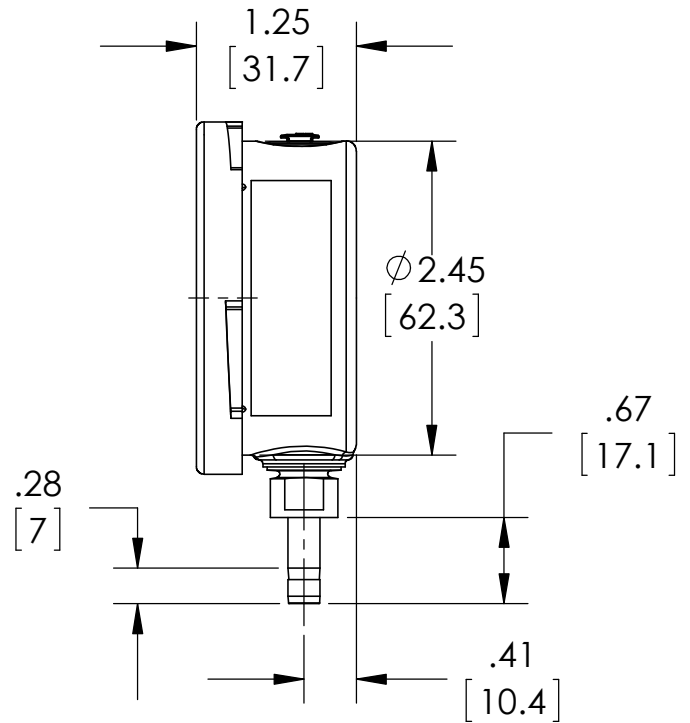
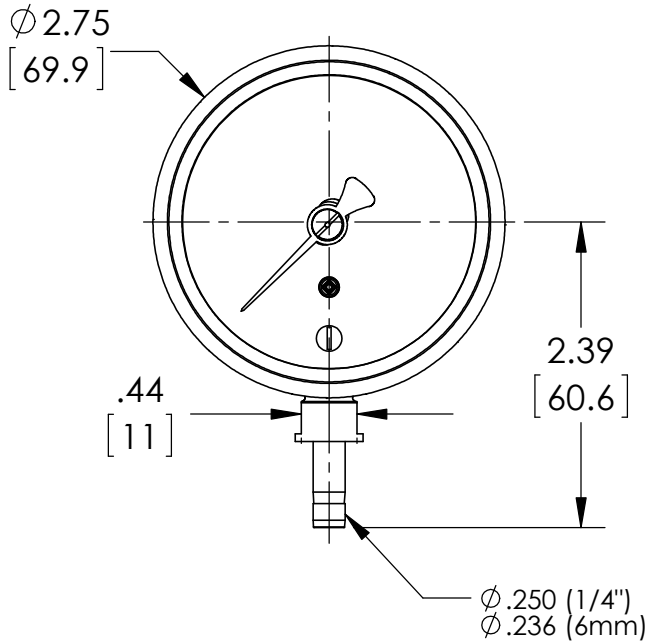


This drawing includes confidential information which is the property of ASHCROFT INC. This copy is loaned for a specific purpose, with the understanding that it will not be reproduced or used for any other purpose or disclosed to others, and it will be returned on demand.

**ASHCROFT** INC.

250 EAST MAIN STREET  
STRATFORD, CT 06614



DIMENSIONS IN [ ] ARE MILLIMETERS

| REV. | ECO     | DESCRIPTION            | BY  | DATE       |
|------|---------|------------------------|-----|------------|
| A    | 0004508 | RELEASED GENERAL DIMS. | MJS | 12/16/2011 |

|                                  |           |                           |               |                |          |
|----------------------------------|-----------|---------------------------|---------------|----------------|----------|
| This print certified correct for |           | <b>General Dimensions</b> |               |                |          |
| Customer's Name                  |           | 35 1009 JPL SERIES        |               |                |          |
|                                  |           | DURALIFE                  |               |                |          |
| Customer's Order No.             | Drawn MJS | Date 12/16/11             | Date of Issue |                |          |
| Ashcroft Order No.               | Checked   | Date                      | SHEET-1       |                | Rev.     |
| Certified by                     | Date      | Approved                  | Date          | <b>70A3917</b> | <b>A</b> |