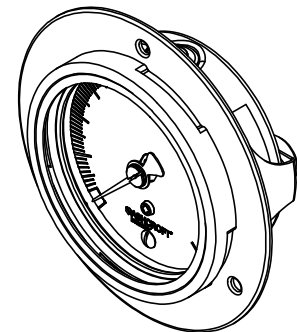
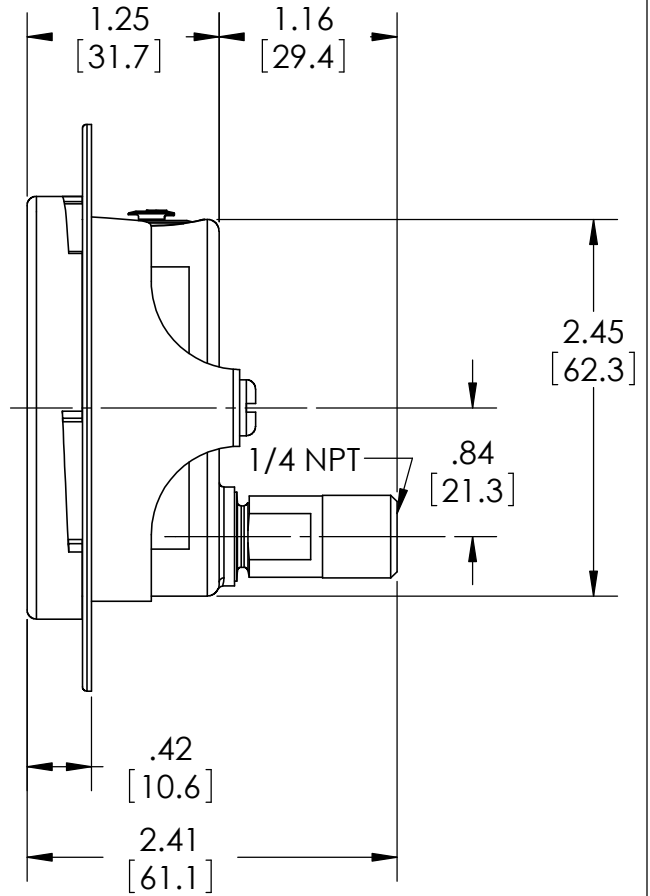
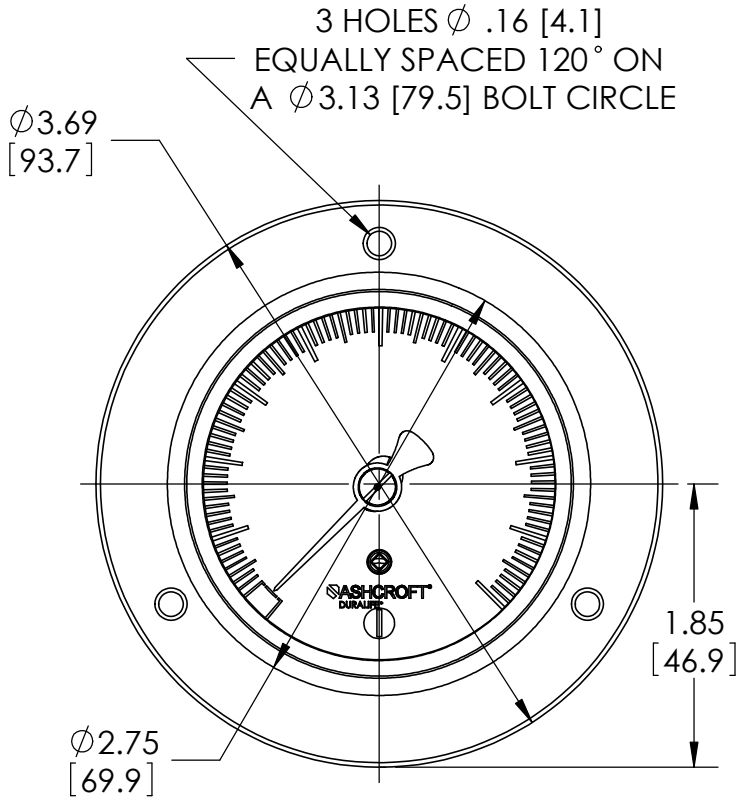


This drawing includes confidential information which is the property of ASHCROFT INC. This copy is loaned for a specific purpose, with the understanding that it will not be reproduced or used for any other purpose or disclosed to others, and it will be returned on demand.

**ASHCROFT** INC.

250 EAST MAIN STREET  
STRATFORD, CT 06614



NOTE 1: PANEL CUTOUT-  $\phi$ 2.53[64]MIN,  $\phi$ 2.59[66] MAX

NOTE 2: PANEL THICKNESS- 1/16[2] TO 1/4[6]

DIMENSIONS IN [ ] ARE MILLIMETERS

REV.	ECO	DESCRIPTION	BY	DATE
A	0004508	RELEASED GENERAL DIMS. FOR 25 1009 02B XFF	MJS	6/23/2010

This print certified correct for		<b>General Dimensions</b>			
Customer's Name		25 1009 02B XFF SERIES			
		DURALIFE			
Customer's Order No.		Drawn MJS	Date 6/23/10	Date of Issue	
Ashcroft Order No.		Checked	Date	SHEET-1	Rev.
Certified by	Date	Approved	Date	<b>70A3064</b>	<b>A</b>