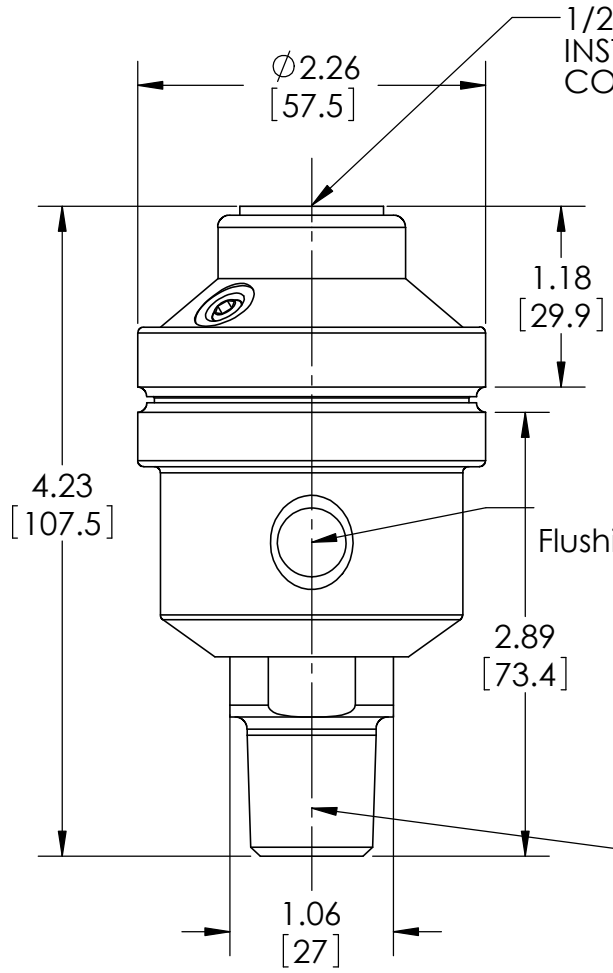
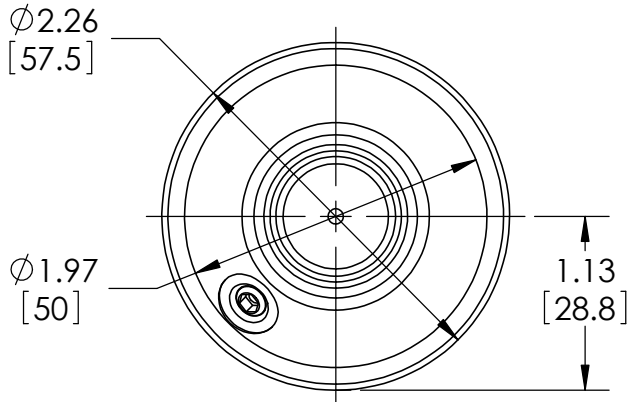




This drawing includes confidential information which is the property of ASHCROFT INC. This copy is loaned for a specific purpose, with the understanding that it will not be reproduced or used for any other purpose or disclosed to others, and it will be returned on demand.

**ASHCROFT** INC.

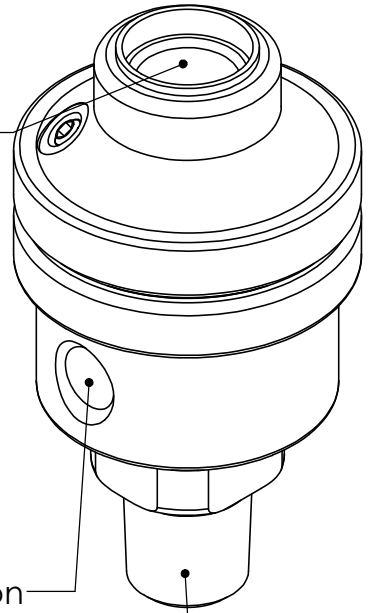
250 EAST MAIN STREET  
STRATFORD, CT 06614



1/2" NPT INSTRUMENT CONNECTION

1/4" NPT Flushing connection

1/2" NPT PROCESS CONNECTION



DIMENSIONS IN [ ] ARE MILLIMETERS

REV.	ECO	DESCRIPTION	BY	DATE
A	0005001	RELEASED GENERAL DIMS.	MJS	8/9/2010

This print certified correct for		<b>General Dimensions</b>			
Customer's Name		TYPE: 511 LOW PRESSURE			
		PROCESS CONN: 1/2" MALE - INSTRUMENT CONN: 1/2" NPT			
		ALL-WELDED CONSTRUCTION			
Customer's Order No.	Drawn MJS	Date 8/9/10	Date of Issue		
Ashcroft Order No.	Checked	Date	SHEET-1	Rev.	
Certified by	Date	Approved	Date	<b>70A3398</b>	<b>A</b>