

Utility gauge complete stainless steel Type UG4

FEATURES

- Cost-effective construction
- Stainless steel case and wetted components welded
- Dampened Movement
- 40, 50, 63, 80 and 100 mm dial size
- Overload protection 120 %
- Accuracy Class 1, 1.6 or 2.5

TYPICAL USES

- Pumps and compressors
- Filter regulators
- Fluid power equipments
- Medical equipment
- Pool and spa filters
- Hydraulics and pneumatics
- OEM equipment & Industrial machinery
- Beverage dispensing equipment

SPECIFICATIONS

Model:	UG4 with stainless steel case
Accuracy:	According to EN 837-1 100 mm dial size Class 1; 1 % Full scale 63 and 80 mm, optional 50 mm dial size Class 1.6; 1.6 % Full scale 40 and 50 mm dial size Class 2.5; 2.5 % Full scale
Dial Sizes:	40, 50, 63, 80 and 100 mm
Ranges:	Vacuum, compound, 0 to 690 bar (10000 psi)
Working Pressure:	75 % of max. scale value
Over Pressure Limit:	120 % of max. scale value
Process Connection:	1/8 NPT, G 1/8 B, R 1/8 male 1/4 NPT, G 1/4 B, R 1/4 male 1/2 NPT, G 1/2 B, R 1/2 male
Process Connection Location:	Lower or center back or lower back
Weather Protection	IP66

WETTED COMPONENTS

Tube:	Stainless steel 316L (1.4404)
Socket:	Stainless steel 316L (1.4404)
Joints:	Welded

NON-WETTED COMPONENTS

Window:	Acrylic glass
Gasket:	NBR
Dial:	Aluminum, black markings on white background
Pointer:	Black, aluminum
Movement:	Stainless steel 304 (1.4301)
Case:	Stainless steel 304 (1.4301)
U-Clamp:	Nickel plated steel



UG4
Stainless steel case



KEY BENEFITS

- Economic pressure measurement
- Suitable for oxygen service
- Dampened movement
- Helium leak tested

MIN./MAX. TEMPERATURE LIMITS

VERSION	AMBIENT	PROCESS	STORAGE
Dry	-20 °C to 65 °C (-4 °F to 150 °F)	max. 200 °C (max. 392 °F)	-20 °C to 65 °C (-4 °F to 150 °F)
Glycerine	-7 °C to 65 °C (19 °F to 150 °F)	-7 °C to 65 °C (19 °F to 150 °F)	-7 °C to 65 °C (19 °F to 150 °F)
Silicone	-20 °C to 65 °C (-4 °F to 150 °F)	-20 °C to 65 °C (-4 °F to 150 °F)	-20 °C to 65 °C (-4 °F to 150 °F)

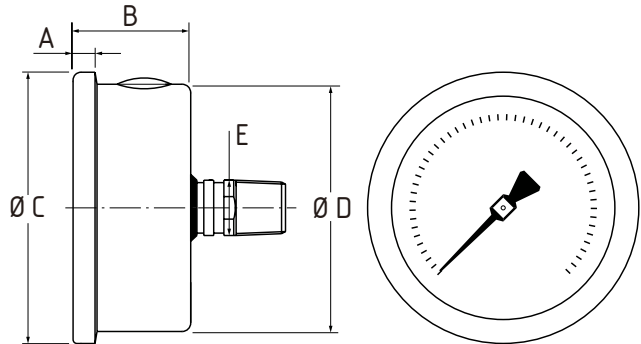
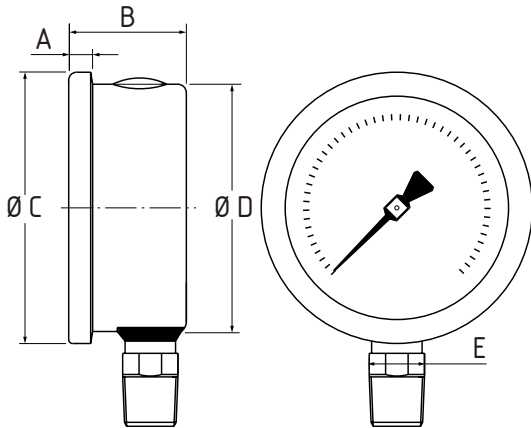
**Utility gauge complete stainless steel
Type UG4**

ORDERING CODE		EXAMPLE:	63	UG4	S	A	D	01	L	S	0	L	6BR	XCD2
Dial Size														
40	40 mm													
50	50 mm													
63	63 mm		63											
80	80 mm													
100	100 mm													
Model Code														
UG4	Utility gauge type 4		UG4											
Wetted components (Tube and socket)														
S	Stainless steel			S										
Case Material														
A	Stainless steel				A									
Case Filling														
D	Dry					D								
S	Silicone													
G	Glycerine													
Process Connection														
01	1/8 NPT Male							01						
02	1/4 NPT Male													
04	1/2 NPT Male													
07	G 1/8 B Male													
13	G 1/4 B Male													
15	G 1/2 B Male													
17	R 1/8 DIN EN 10226-1:2004-10 [1/8" BSPT (JIS B 0203)]													
KA	R 1/4 DIN EN 10226-1:2004-10 [1/4" BSPT (JIS B 0203)]													
KQ	R 1/2 DIN EN 10226-1:2004-10 [1/2" BSPT (JIS B 0203)]													
Process Connection Location														
B	Lower back (only admissible for ≥ 63 mm)													
C	Center back													
L	Lower								L					
Window														
S	Laminated safety glass									S				
A	Acrylic glass													
Mounting														
0	Stem										0			
1	U-clamp (only admissible for ≥ 63 mm)													
2	Front flange (only admissible for ≥ 63 mm)													
3	Wall mounting bracket													
Accuracy														
I	Class 2.5													
J	Class 1													
L	Class 1.6											L		
Range (coding example only, find available ranges on page 3)														
Single Scales														
6BR	6 bar												6BR	
Options (If choosing an option(s) must include a "X")														
Dial														
SS	Special range (Information is required by the customer)													X
Connection														
TU	Throttle plug													
Cleaning														
6B	Cleaned for oxygen service													
YF	Cleaned silicone free													
Testing/Certificates														
CD2	Material test report according to EN 10204 / 2.2													CD2



**Utility gauge complete stainless steel
Type UG4**
DIMENSIONS IN MM [INCH]

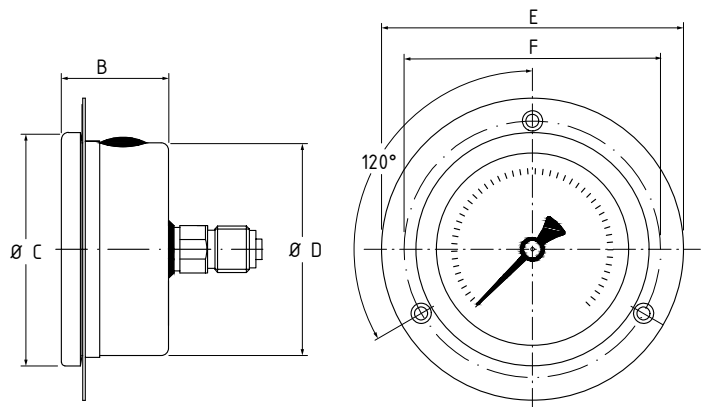
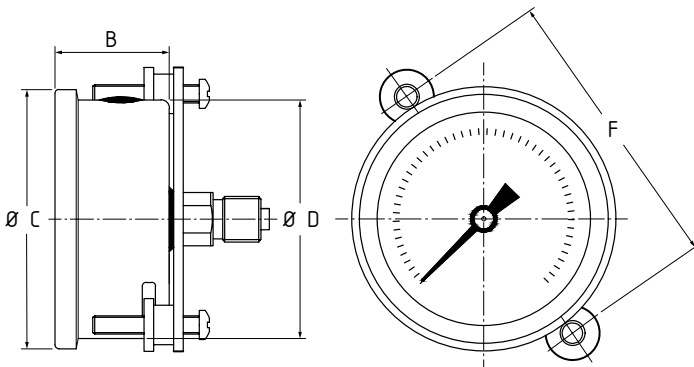
For reference only, consult Ashcroft for specific dimensional drawings


LOWER CONNECTION TYPE

DIAL SIZE	A	B	ØC	ØD	E	WEIGHT (KG)
40 mm	5,1 [0,2]	25,4 [1]	45,7 [1,8]	40,6 [1,6]	10,9 [0,43]	0,1
50 mm	5,1 [0,2]	30,5 [1,2]	55,9 [2,2]	50,8 [2]	14 [0,55]	0,1
63 mm	7,6 [0,3]	30,5 [1,2]	68,6 [2,7]	61 [2,4]	14 [0,55]	0,2
80 mm	7,6 [0,3]	35,6 [1,4]	86,4 [3,4]	78,7 [3,1]	17 [0,67]	0,3
100 mm	7,6 [0,3]	48,3 [1,9]	109,2 [4,3]	99,1 [3,9]	22,1 [0,87]	0,6

CENTER BACK CONNECTION TYPE

DIAL SIZE	A	B	ØC	ØD	E	WEIGHT (KG)
40 mm	5,1 [0,2]	25,4 [1]	45,7 [1,8]	40,6 [1,6]	10,9 [0,43]	0,1
50 mm	5,1 [0,2]	30,5 [1,2]	55,9 [2,2]	50,8 [2]	14 [0,55]	0,1
63 mm	7,6 [0,3]	30,5 [1,2]	68,6 [2,7]	61 [2,4]	14 [0,55]	0,2
80 mm	7,6 [0,3]	35,6 [1,4]	86,4 [3,4]	78,7 [3,1]	17 [0,67]	0,3


**CENTER BACK CONNECTION TYPE
(U-CLAMP)**

DIAL SIZE	B	ØC	ØD	F	WEIGHT (KG)
40 mm	25,4 [1]	46,6 [1,8]	40 [1,6]	48 [1,9]	0,2
50 mm	29,5 [1,2]	57 [2,2]	51,8 [2]	60 [2,4]	0,2
63 mm	31 [1,2]	68 [2,7]	62 [2,4]	72 [2,8]	0,2
80 mm	31 [1,2]	87 [3,4]	80 [3,1]	87 [3,4]	0,3
100 mm	36,5 [1,4]	109 [4,3]	99 [3,9]	124 [4,9]	0,6

**CENTER BACK CONNECTION TYPE
(U-CLAMP)**

DIAL SIZE	B	ØC	ØD	E	F	3X BORE	WEIGHT (KG)
40 mm	26 [1]	47 [1,9]	40 [1,6]	64 [2,5]	53 [2,1]	3,7 [0,1]	0,2
50 mm	30 [1,2]	57 [2,2]	52 [2]	74 [2,9]	64 [2,5]	3,8 [0,1]	0,2
63 mm	31 [1,2]	68 [2,7]	62 [2,4]	88 [3,5]	75 [3]	3,8 [0,1]	0,2
80 mm	31 [1,2]	87 [3,4]	80 [3,1]	108 [4,3]	95 [3,7]	3,8 [0,1]	0,3
100 mm	47 [1,9]	109 [4,3]	100 [3,9]	133 [5,2]	117 [4,6]	5 [0,2]	0,6



**Utility gauge complete stainless steel
Type UG4**

STANDARD PRESSURE RANGE								
Gauge Pressure						Vacuum & Compound		
bar		psi		kPa		bar	in. HG / psi	
Code								
BR	#		KP		BR	INHG		
1	160	15	1500	100	16000	-1/0	-30/0	
1,6	250	30	2000	160	25000	-1/0,6	-30/15	
2,5	400	60	3000	250	40000	-1/1,5	-30/30	
4	600	100	4000	400	60000	-1/3	-30/60	
6		160	5000	600		-1/5	-30/100	
10		200	6000	1000		-1/9	-30/160	
16		300	7500	1600		-1/15	-30/200	
25		400	10000	2500		-1/24	-30/300	
40		500		4000				
60		600		6000				
100		800		10000				
		1000						

