

## Utility gauge with steel case Type UG2

### FEATURES

- Cost-effective construction
- Steel case with brass wetted components
- 40, 50, 63, 80 and 100 mm dial size
- Overload protection 120 %
- Accuracy Class 1, 1.6 or 2.5

### TYPICAL USES

- Pumps and compressors
- Filter regulators
- Fluid power equipments
- Medical equipment
- Pool and spa filters
- Hydraulics and pneumatics
- OEM equipment
- Beverage dispensing equipment
- Industrial machinery



**UG2**  
Steel case



### SPECIFICATIONS

Model:	UG2 with steel case
Accuracy:	According to EN 837-1 100 mm dial size Class 1; 1 % Full scale 63 and 80 mm, optional 50 mm dial size Class 1.6; 1.6 % Full scale 40 and 50 mm dial size Class 2.5; 2.5 % Full scale
Dial Sizes:	40, 50, 63, 80 and 100 mm
Ranges:	Vacuum, compound, 0 to 400 bar (6000 psi)
Working Pressure:	75 % of max. scale value
Over Pressure Limit:	120 % of max. scale value
Process Connection:	1/8 NPT, G 1/8 B, R 1/8 male 1/4 NPT, G 1/4 B, R 1/4 male 1/2 NPT, G 1/2 B, R 1/2 male
Process Connection Location:	Lower or center back
Weather Protection	IP54

### WETTED COMPONENTS

Tube:	Brass
Socket:	Brass
Joints:	Soldered

### NON-WETTED COMPONENTS

Window:	Light plastic
Dial:	Aluminum, black markings on white background
Pointer:	Black, aluminum
Movement:	Brass
Case:	Steel, powder coated

### KEY BENEFITS

- Economic pressure measurement
- Suitable for oxygen service
- Dampened movement

### MIN./MAX. TEMPERATURE LIMITS

VERSION	AMBIENT	PROCESS	STORAGE
Dry	-20 °C to 65 °C (-4 °F to 150 °F)	max. 120 °C (max. 250 °F)	-20 °C to 65 °C (-4 °F to 150 °F)

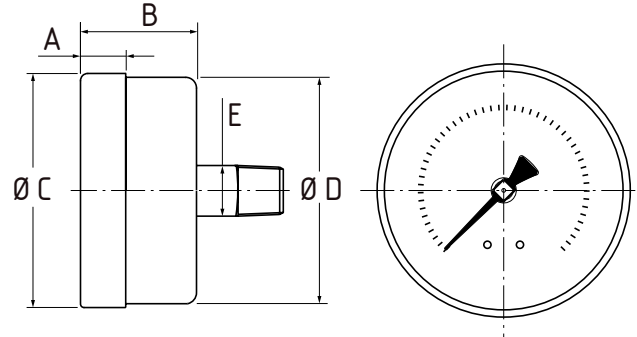
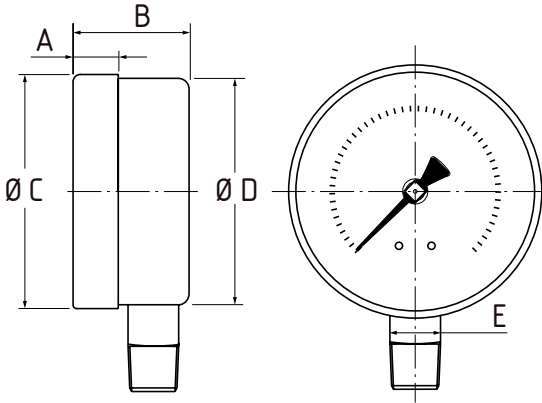
**Utility gauge with steel case  
Type UG2**

ORDERING CODE		EXAMPLE:	63	UG2	A	J	D	01	L	T	0	L	6BR	XCD2
<b>Dial Size</b>														
40	40 mm													
50	50 mm													
63	63 mm		63											
80	80 mm													
100	100 mm													
<b>Model Code</b>														
UG2	Utility gauge type 2			UG2										
<b>Wetted components (Tube and socket)</b>														
A	Brass				A									
<b>Case Material</b>														
J	Steel					J								
<b>Case Filling</b>														
D	Dry						D							
<b>Process Connection</b>														
01	1/8 NPT Male							01						
02	1/4 NPT Male													
04	1/2 NPT Male													
07	G 1/8 B Male													
13	G 1/4 B Male													
15	G 1/2 B Male													
17	R 1/8 DIN EN 10226-1:2004-10 [1/8" BSPT (JIS B 0203)]													
KA	R 1/4 DIN EN 10226-1:2004-10 [1/4" BSPT (JIS B 0203)]													
KQ	R 1/2 DIN EN 10226-1:2004-10 [1/2" BSPT (JIS B 0203)]													
<b>Process Connection Location</b>														
C	Center back													
L	Lower								L					
<b>Window</b>														
T	Light plastic									T				
P	Hard plastic (Polycarbonate)													
S	Laminated safety glass													
<b>Mounting</b>														
0	Stem										0			
<b>Accuracy</b>														
I	Class 2.5													
J	Class 1													
L	Class 1.6											L		
<b>Single Scales</b>														
6BR	6 bar												6BR	
<b>Options (If choosing an option(s) must include a "X")</b>														X__
<b>Dial</b>														
SS	Special range (Information is required by the customer)													
<b>Connection</b>														
TU	Throttle plug													
<b>Cleaning</b>														
6B	Cleaned for oxygen service													
YF	Cleaned silicone free													
<b>Testing/Certificates</b>														
CD2	Material test report according to EN 10204 / 2.2													CD2



**Utility gauge with steel case  
Type UG2**
**DIMENSIONS IN MM [INCH]**

For reference only, consult Ashcroft for specific dimensional drawings


**LOWER CONNECTION TYPE**

DIAL SIZE	A	B	ØC	ØD	E	WEIGHT (KG)
40 mm	10,2 [0,4]	25,4 [1]	42 [1,7]	41 [1,6]	10,2 [0,4]	0,1
50 mm	10,2 [0,4]	27,9 [1,1]	53 [2,1]	51 [2]	15,2 [0,6]	0,1
63 mm	10,2 [0,4]	27,9 [1,1]	63 [2,5]	61 [2,4]	15,2 [0,6]	0,1
80 mm	12,7 [0,5]	33 [1,3]	78 [3,1]	76 [3]	17,8 [0,7]	0,3
100 mm	22,9 [0,9]	38,1 [1,5]	100 [3,9]	98,5 [3,9]	22,9 [0,9]	0,4

**CENTER BACK CONNECTION TYPE**

DIAL SIZE	A	B	ØC	ØD	E	WEIGHT (KG)
40 mm	10,2 [0,4]	27,9 [1,1]	42 [1,7]	41 [1,6]	10,2 [0,4]	0,1
50 mm	10,2 [0,4]	27,9 [1,1]	53 [2,1]	51 [2]	15,2 [0,6]	0,1
63 mm	10,2 [0,4]	27,9 [1,1]	63 [2,5]	61 [2,4]	15,2 [0,6]	0,1
80 mm	12,7 [0,5]	33 [1,3]	78 [3,1]	76 [3]	17,8 [0,7]	0,3
100 mm	22,9 [0,9]	38,1 [1,5]	100 [3,9]	98,5 [3,9]	22,9 [0,9]	0,4

**STANDARD PRESSURE RANGE**

Gauge Pressure						Vacuum & Compound	
bar	psi	kPa		bar	in. HG / psi		
Code							
BR	#	KP		BR	INHG		
1	160	15	1500	100	16000	-1/0	-30/0
1,6	250	30	2000	160	25000	-1/0,6	-30/15
2,5	400	60	3000	250	40000	-1/1,5	-30/30
4		100	4000	400		-1/3	-30/60
6		160	5000	600		-1/5	-30/100
10		200	6000	1000		-1/9	-30/160
16		300		1600		-1/15	-30/200
25		400		2500		-1/24	-30/300
40		500		4000			
60		600		6000			
100		800		10000			
		1000					

