

Bimetal Thermotest TT1, TT2

Features

- Miniature bimetal spring for rapid response time of up to 5 seconds
- Precise and reliable
- Cost-effective
- Dials customised to customer specifications

Typical uses

- Plastic and packing, general engineering
- Hydraulic circuits, sterilization, drying plants
- Injection molding, plastic welding
- Casting
- Mixer Taps and similar devices
- Fuel preheating circuits
- Drinks dispenser



Bimetal Thermotest

Fast response for industry

Technical specifications

Dial Size:	Ø in
	mm 26, 36, 46 for TT1
	52, 65 only for TT2
	Inch 1", 1.4", 1.8", 2", 2.5"

Accuracy: ±1%

Connection Location: Center back

Stem Diameter: 4 mm and 4.5 mm

Stem Length: 50 ... 500 mm in mm steps

Mechanical specification

Process Connection:	G 1/2 male
	G 3/8 male
	G 1/4 male
	G 1/8 male
	M8 male
	1/2 NPT male
	1/4 NPT male
	Unthreaded shoulder ø 8 mm / ø 15 mm

Materials

Process Connection: Stainless steel 303 (1.4305), Aluminium or Brass

Stem: Stainless steel 304L (1.4306)

Case/Ring: Stainless steel 303 (1.4305)

Window: Mineral glass, Acrylic glass

Dial: Aluminum, black marked

Pointer: Aluminum, black

KEY BENEFITS:

- High quality fast response instrument
- Accurate temperature reading

Bimetal Thermotest TT1, TT2

Ordering Code	Example:	TT1	H	026	A	4I	I	C0010
Model								
TT1	Small Fast Response Bimetal Thermometer							
Connection location:								
H	Center back							
Dial size:								
026	Dial size 26 mm							
036	Dial size 36 mm							
046	Dial size 46 mm							
Mounting								
A	With unthreaded shoulder							
S	With fixed threaded connection							
Stem diameter and form								
4I	Ø 4 mm, Stainless Steel 304L / 1.4306							
4P	Ø 4 mm, Stainless Steel 304L / 1.4306, with spear point							
5I	Ø 4,5 mm, Stainless Steel 304L / 1.4306							
5P	Ø 4,5 mm, Stainless Steel 304L / 1.4306, with spear point							
Process connection								
I	Ø 8 mm, Stainless Steel 303 / 1.4305							
U	Ø 8 mm, Aluminium							
G1I	G 1/8, Stainless Steel 303 / 1.4305							
G2I	G 1/4, Stainless Steel 303 / 1.4305							
M2I	M8, Stainless Steel 303 / 1.4305							
M2U	M8, Aluminium							
N2I	1/2 NPT, Stainless Steel 303 / 1.4305							
Temperature Range								
B0204	-20 ... +40 °C							
B0307	-30 ... +70 °C							
C0006	0 ... +60 °C							
C0010	0 ... +100 °C							
C0012	0 ... +120 °C							
C0016	0 ... +160 °C							
C0020	0 ... +200 °C							
C0025	0 ... +250 °C							
C0032	0 ... +320 °C							
C0040	0 ... +400 °C							

Ordering Code	Example:	-	50	VA	-	T
Mesuring system						
-	Standard					
N	No oil for vibrations					
2	Silicone grease for vibrations C1					
Total stem length						
xx	Stem length 50...500 mm stem length in 1 mm steps					
Windows						
VA	Acrylic glass					
VM	Mineral glass					
Calibration report						
-	Without					
3	3 points					
Marking						
-	Standard					
T	Tag plate in stainless steel					

Bimetal Thermotest TT1, TT2

Ordering Code	Example:	TT2	H	052	A	4I	L	C0010
Model								
TT2	Small Fast Response Bimetal Thermometer							
Connection location								
H	Center back							
Dial size								
052	52 mm							
065	65 mm							
Mounting								
A	With unthreaded shoulder							
F	With back mounting flange							
S	With fixed threaded connection							
Stem diameter and form								
4I	Ø 4 mm, Stainless Steel 304L / 1.4306							
4P	Ø 4 mm, Stainless Steel 304L / 1.4306, with spear point							
5I	Ø 4,5 mm, Stainless Steel 304L / 1.4306							
5P	Ø 4,5 mm, Stainless Steel 304L / 1.4306, with spear point							
Process connection								
L	Ø 15 mm, brass							
I	Ø 15 mm, Stainless Steel 303 / 1.4305							
G1I	G 1/8, Stainless Steel 303 / 1.4305							
G2I	G 1/4, Stainless Steel 303 / 1.4305							
G3I	G 3/8, Stainless Steel 303 / 1.4305							
G3L	G 3/8, brass							
G4I	G 1/2, Stainless Steel 303 / 1.4305							
G4L	G 1/2, brass							
N2I	1/4 NPT, Stainless Steel 303 / 1.4305							
N2L	1/4 NPT, brass							
N4I	N1/4 NPT, Stainless Steel 303 / 1.4305							
Temperature Range								
B0204	-20 ... +40 °C							
B0307	-30 ... +70 °C							
C0006	0 ... +60 °C							
C0010	0 ... +100 °C							
C0012	0 ... +120 °C							
C0016	0 ... +160 °C							
C0020	0 ... +200 °C							
C0025	0 ... +250 °C							
C0032	0 ... +320 °C							
C0040	0 ... +400 °C							

Ordering Code	Example:	-	50	VA	-	T
Mesuring system						
-	Standard					
N	No oil for vibrations					
2	Silicone grease for vibrations C1					
Total stem length						
xx	Stem length 50...500 mm stem length in 1 mm steps					
Windows						
VA	Acrylic glass					
VM	Mineral glass					
Calibration report						
-	Without					
3	3 points					
Marking						
-	Standard					
T	Tag plate in stainless steel					

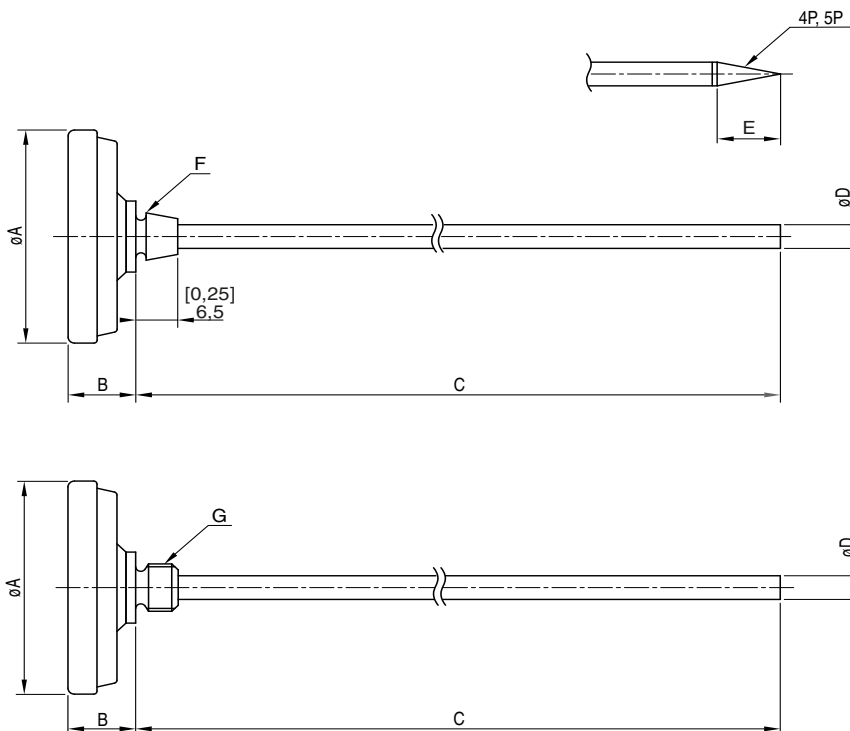
Bimetal Thermotest TT1, TT2

TT1 Dimensions in mm [] are Inch

Only for references, ask us for special dimensions

Code	A	B	C	D	E	F	G	Weight g/oz	
026	4I	26 [1,02]	9 [0,35]	50...300	4 [0,15]	I, U ø8 [0,31]	G 1/8 G 1/4 M8 1/2 NPT	approx. 10...100 [0,35...3,53]	
	4P	26 [1,02]	9 [0,35]	50...300	4 [0,15]				7,9 [0,31]
	5I	26 [1,02]	9 [0,35]	50...500	4,5 [0,17]				-
	5P	26 [1,02]	9 [0,35]	50...500	4,5 [0,17]				8,5 [0,33]
036	4I	36 [1,41]	10,5 [0,41]	50...300	4 [0,15]				
	4P	36 [1,41]	10,5 [0,41]	50...300	4 [0,15]				7,9 [0,31]
	5I	36 [1,41]	10,5 [0,41]	50...500	4,5 [0,17]				-
	5P	36 [1,41]	10,5 [0,41]	50...500	4,5 [0,17]				8,5 [0,33]
046	4I	46 [1,81]	10,5 [0,41]	50...300	4 [0,15]				
	4P	46 [1,81]	10,5 [0,41]	50...300	4 [0,15]				7,9 [0,31]
	5I	46 [1,81]	10,5 [0,41]	50...500	4,5 [0,17]				-
	5P	46 [1,81]	10,5 [0,41]	50...500	4,5 [0,17]				8,5 [0,33]

Code	Temperature range		° Div. Inside/Outside	
	°C / °F			
B0307	-30... [-22]...	+70 [158]	1	2
B0204	-20... [-4]...	+40 [104]	1	1
C0006	0... [32]...	+60 [140]	1	1
C0010	0... [32]...	+100 [212]	1	2
C0012	0... [32]...	+120 [248]	1	2
C0016	0... [32]...	+160 [320]	2	2
C0020	0... [32]...	+200 [392]	2	2
C0025	0... [32]...	+250 [482]	2	2
C0032	0... [32]...	+320 [608]	5	10
C0040	0... [32]...	+400 [752]	5	10



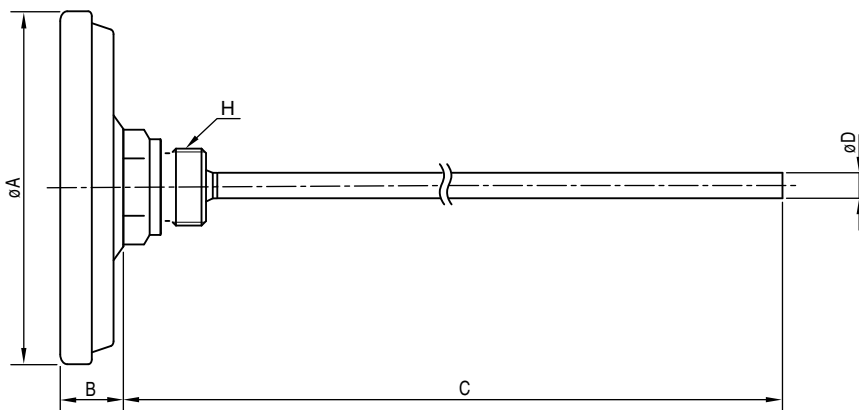
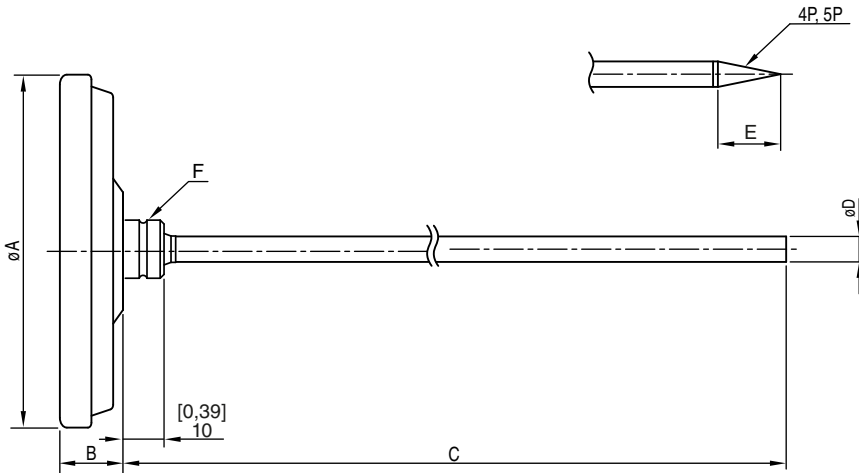
Bimetal Thermotest TT1, TT2

TT2 Dimensions in mm [] are Inch

Only for references, ask us for special dimensions

Code	A	B	C	D	E	F	G	Weight g/oz
052	4I 52 [2,04]	12 [0,47]	50...300	4 [0,15]	-	L, I ø15 [0,59]	G 1/8 G 1/4 G 3/8 G 1/2 1/4 NPT 1/2 NPT	approx. 50...150 [1,76...5,29]
	4P 52 [2,04]	12 [0,47]	50...300	4 [0,15]	7,9 [0,31]			
	5I 52 [2,04]	12 [0,47]	50...500	4,5 [0,17]	-			
	5P 52 [2,04]	12 [0,47]	50...500	4,5 [0,17]	8,5 [0,33]			
065	4I 65 [0,55]	13 [0,51]	50...300	4 [0,15]	-			
	4P 65 [0,55]	13 [0,51]	50...300	4 [0,15]	7,9 [0,31]			
	5I 65 [0,55]	13 [0,51]	50...500	4,5 [0,17]	-			
	5P 65 [0,55]	13 [0,51]	50...500	4,5 [0,17]	8,5 [0,33]			

Code	Temperature range		° Div. Inside/Outside	
	°C / °F			
B0608	-60... [-76]...	+80 [176]	1	2
B0307	-30... [-22]...	+70 [158]	1	2
B0204	-20... [-4]...	+40 [104]	1	1
B0115	-10... [-14]...	+150 [302]	2	2
C0006	0... [32]...	+60 [140]	1	1
C0010	0... [32]...	+100 [212]	1	2
C0012	0... [32]...	+120 [248]	1	2
C0016	0... [32]...	+160 [320]	2	2
C0020	0... [32]...	+200 [392]	2	2
C0025	0... [32]...	+250 [482]	2	2
C0032	0... [32]...	+320 [608]	5	5
C0040	0... [32]...	+400 [752]	5	5

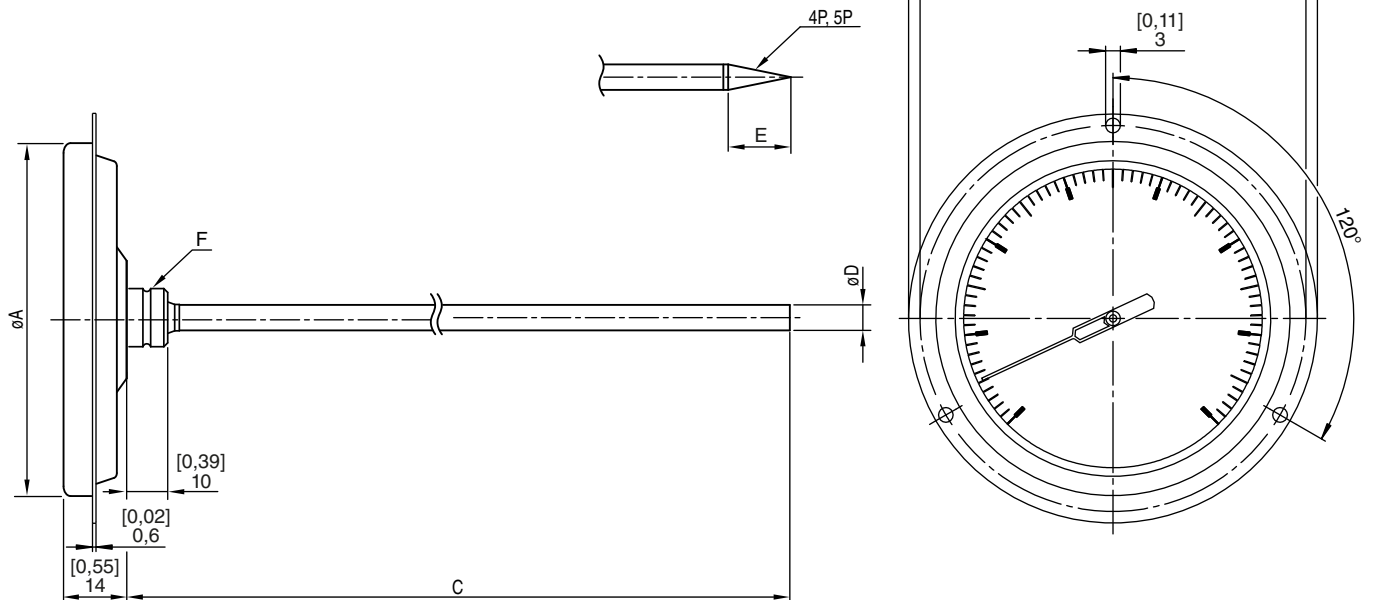


Bimetal Thermotest TT1, TT2

TT2 mounting flange Dimensions in mm [] are Inch

Only for references, ask us for special dimensions

Code	A	B	C	D	E	F	Weight g/oz
065	4I	65 [0,55]	13 [0,51]	50...300	4 [0,15]	-	L, I ø15 [0,59] approx. 50...150 [1,76...5,29]
	4P	65 [0,55]	13 [0,51]	50...300	4 [0,15]	7,9 [0,31]	
	5I	65 [0,55]	13 [0,51]	50...500	4,5 [0,17]	-	
	5P	65 [0,55]	13 [0,51]	50...500	4,5 [0,17]	8,5 [0,33]	



Thermometer with fixing Flange for panel mounting. Instrument fixed by 3 holes 3 mm dia. spaced at 120°. Available only for 65 mm dials.