

Data Sheet

All stainless steel high pressure process gauge solid front Model T6500W

According to DIN 16001

FEATURES

- High pressure up to 7000 bar (100,000 psi)
- Solid front all welded stainless steel case
- 100 mm and 160 mm case size
- Weatherproof protection IP66/IP67 and NEMA 4X rating
- Dry, liquid filled or **PLUS!**™ Performance option

TYPICAL USES

- Water jet based cutting & cleaning
- High pressure chemical & petrochemical applications
- Pressure burst testing



T6500W
100 mm



SPECIFICATIONS

Accuracy: Class 1; 1 % Full scale for ranges <= 5000 bar
Class 1.6; 1.6 % Full scale for ranges > 5000 bar

Sizes: 100 mm (max. 5000 bar)
160 mm

Ranges: 0 to 1600 bar up to 7000 bar
0 to 23200 psi up to 100,000 psi
and others

Process Connection Location: Lower

Process Connection Size: 9/16-18 UNF-2B right or left handed thread
9/16-18 UNF-2A LH male (9/16 API type III connection)
M16 x 1,5 female
G 1/2 B male

Case Style: Solid front with full rear blowout back

Movement: Adjustable

Window Material: Safety glass or polycarbonate

Dial: Aluminum, white background,
black figures and intervals

Pointer: Aluminum

Weather Protection: Dry: IP66 and NEMA 4X
Liquid filled: IP66/67 and NEMA 4X
Hermetically sealed case: IP66/67 and NEMA 4X

Dampening Options: **PLUS!**™ Performance, throttle rod and fill fluids

Mounting: Stem and surface

Approvals:  II 2G Ex h IIC T6...T1 Gb X
II 2D Ex h IIC T85°C...T450°C Db X
EU File-No. 35286061 (TÜV NORD CERT, NB 0044)
UK File-No. 0891-0004 (Element Materials Technology)
CE (Conformité Européenne)
EAC (EurAsian Conformity)

Weight: 100 mm: 0,9 kg (dry), 1,2 kg (liquid filled)
160 mm: 1,2 kg (dry), 2,0 kg (liquid filled)

WETTED COMPONENTS

Bourdon Tube	Process Connection	Joints
Inconel 718 (2.4668)	316L (1.4404) St.st. Duplex 2205 (1.4462)	Welded

KEY BENEFITS

- High pressure measuring capacity
- Compliant to DIN 16001
- Customized dial artwork available

NON-WETTED COMPONENTS

Case	Ring	Back Cover
304 (1.4301) St.st.	304 (1.4301) St.st.	304 (1.4301) St.st.
optional: 316L (1.4404) St.st.	optional: 316L (1.4404) St.st.	optional: 316L (1.4404) St.st.

MIN./MAX. TEMPERATURE LIMITS

VERSION	AMBIENT	PROCESS	STORAGE
Dry	-40 °C bis 70 °C (-40 °F bis 158 °F)	-40 °C bis 200 °C (-40 °F bis 392 °F)	-40 °C bis 70 °C (-40 °F bis 158 °F)
PLUS! ™	-40 °C bis 70 °C (-40 °F bis 158 °F)	-40 °C bis 100 °C (-40 °F bis 212 °F)	-40 °C bis 70 °C (-40 °F bis 158 °F)
Glycerine	-7 °C bis 70 °C (19 °F bis 158 °F)	-7 °C bis 70 °C (19 °F bis 158 °F)	-20 °C bis 70 °C (-4 °F bis 158 °F)
Silicone	-40 °C bis 70 °C (-40 °F bis 158 °F)	-40 °C bis 93 °C (-40 °F bis 200 °F)	-40 °C bis 70 °C (-40 °F bis 158 °F)
ATEX Code "SH"	-40 °C bis 60 °C (-40 °F bis 140 °F) -15 °C bis 40 °C (5 °F bis 104 °F)	Check instruction manual	-40 °C bis 60 °C (-40 °F bis 140 °F) -40 °C bis 60 °C (-40 °F bis 140 °F)
Halocarbon®	-40 °C bis 70 °C (-40 °F bis 158 °F)	-40 °C bis 93 °C (-40 °F bis 200 °F)	-40 °C bis 70 °C (-40 °F bis 158 °F)

PRESSURE RANGE TABLE

(in bar or kg/cm²)	(in psi)	
1600	25000	more ranges, engineering units and dual scales on request
2000	30000	
2500	45000	
4000	60000	
5000	80000	
6000		
7000	100000	

All stainless steel high pressure process gauge solid front Model T6500W

ORDERING CODE		EXAMPLE:	100	T6500	W	D	09	L	1600	BR	XC3
Dial Size											
100	100 mm		10								
160	160 mm										
Model											
T6500	Solid front stainless steel pressure gauge			T6500							
Wetted Parts Material											
W	Inconel 718 (2.4668) tube and 316L (1.4404) socket				W						
WZ	Inconel 718 (2.4668) tube and Duplex 2205 (1.4462) socket										
Case Filling											
D	Dry case					D					
L	Liquid filled case										
Process Connection											
09	9/16-18 UNF-2B Aminco right handed						09				
29	9/16-18 UNF-2B Aminco left handed										
RX	9/16-18 UNF-2A LH male (9/16 API type III connection)										PN ≤ 3000 bar
15	G 1/2 B male (only admissible with wetted parts material WZ)										PN ≤ 2000 bar
54	M16 x 1,5 female										
Connection Location											
L	Lower							L			
Range											
See table RANGES									10		
Engineering Unit											
BR	Engineering Unit other engineering units available, check range table									BR	
Option (if including an option(s) must include an "X")											
Agency Approval											
ATEX	ATEX approval										
EAC	Custom declaration according Eurasian Conformity										
Case Material											
YW	Case and ring material stainless steel 316L										
Case And Ring											
FW	Wall mounting flange										
FX	Front flange tack welded to case										
Connection											
TS	Throttle rod										
WP	No throttle in dry or liquid filled cases										
Liquid filling											
GQ	White oil										
GR	Glycerine 99,5%										
GV	Silicone										
GX	Halocarbon [®]										
LJ	Field fillable										
Dial options											
GU	Engineering unit with suffix "g" for "gauge pressure"										
E6	Dial pin at 6" o'clock position										
SS	Special Scale (Information is required by the customer)										
Movement											
LL	PLUS! [™] Performance										
NZ	PLUS! [™] Performance silicone free (Not for execution L (liquid filled))										
Pointer											
MP	Adjustable micrometer pointer										



All stainless steel high pressure process gauge solid front Model T6500W

ORDERING CODE **EXAMPLE:** 100 T6500 W D 09 L 1600 BR XC3

Option (if including an option(s) must include an "X")

Window

- PD Polycarbonate window
- EP Maximum pointer and polycarbonate window
- EQ Minimum Pointer and polycarbonate window
- SH Red set hand stationary and polycarbonate window
- D3 DuraVis™ Retroreflective Dial (100 mm and dry case only)

Material Origin

- WO Western origin of all wetted parts

Cleaning

- 6W Cleaned "free of oil and grease" (no Oxygen service)
- YF Cleaned silicone free product

Marking And Tagging

- DA Dial marking printed on dial (Information is required by the customer)
- NH Stainless steel tagging wired (Information is required by the customer)
- NH1 Extra lage stainless steel tagging, wired (120 x 30 x 1 mm) (Information is required by the customer)

Material Certificate

- CD2 Certificate according to EN 10204 2.2
- C3 Certificate according to EN 10204 3.1 C3
- MQ Positive material certificate (PMI)

Test Certificate

- C4 CD-4 calibration certificate
- C43 CD-4 calibration certificate option according to DIN EN 10204/3.1
- HY Hydrostatic pressure test
- ML Mass spectrometer leak test

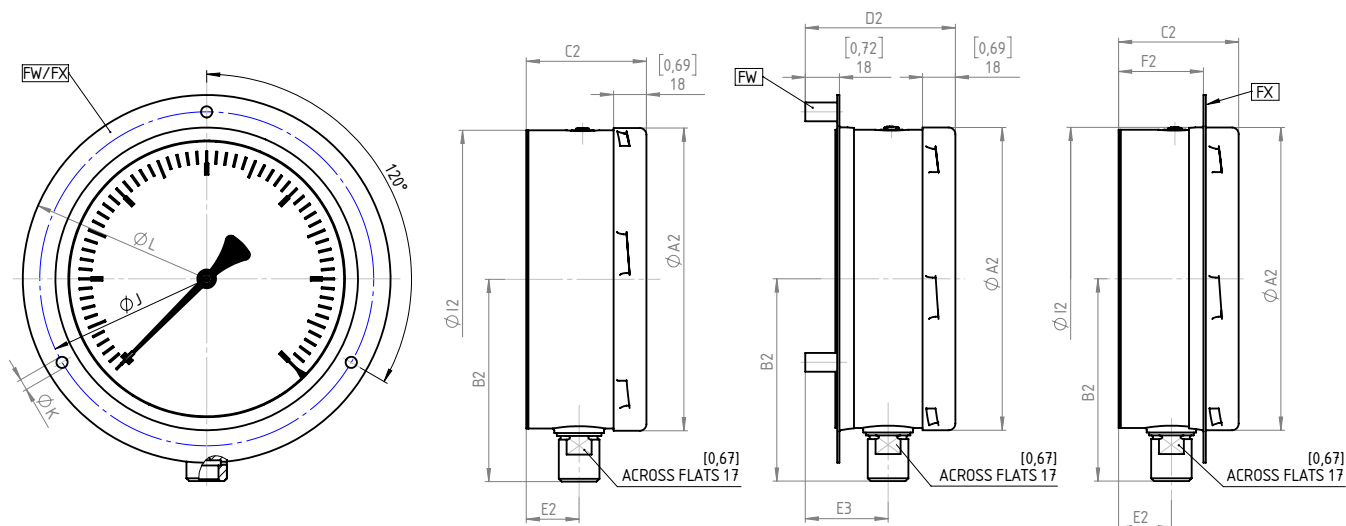


All stainless steel high pressure process gauge solid front Model T6500W

DIMENSIONS IN MM

For reference only, consult Ashcroft for specific dimensional drawings

- Model T6500
- Case option FW & FX


GENERAL DIMENSIONS

NG	A2	B2	C2	D2	E2	E3	F2	I2	J	K	L
100 mm	[3,97]	[3,06]	[2,38]	[2,91]	[1,02]	[1,55]	[1,63]	[4,00]	[4,65]	[0,24]	[5,20]
	101	78	61	74	26	39	42	102	118	6	132
160 mm	[6,35]	[4,24]	[2,52]	[3,15]	[1,11]	[1,74]	[1,78]	[6,36]	[7,01]	[0,24]	[7,72]
	161	108	64	80	28	44	45	162	178	6	196

