

## All stainless steel contact gauge open or solid front Model T5500-KF and T6500-KF

According to EN 837-1 and DIN 16085

### FEATURES

- Rugged all welded stainless steel construction
- 100 mm and 160 mm case size
- Weatherproof protection IP65
- ATEX approval
- Overload protection 130 %
- Dry, liquid filled or **PLUS!**<sup>TM</sup> Performance option
- Monel wetted system optional

### TYPICAL USES

- Pump Control
- Hydraulic Systems & Compressor Control
- Process Automation
- Food and beverage industry
- Pulp and paper
- Power plants



T5500-KF  
Contact Gauge



### SPECIFICATIONS

Model Number:	T5500-KF open front with rear blow out disk, compensation diaphragm and ventable fill plug on top T6500-KF solid front with rear blow out back, compensation diaphragm wall and ventable fill plug on top
Accuracy:	Class 1; 1 % Full scale
Temperature Effect:	Max. 0,4 % / 10 K
Dial Sizes:	100 mm or 160 mm
Ranges:	Vacuum, compound, 0 to 1000 bar psi, kPa, MPa, kg/cm <sup>2</sup> and others
Working Pressure:	Suitable for maximum steady working pressure equal to the maximum scale value
Process Connection:	All common sizes, see page 2
Mounting:	T5500-KF: Lower and Lower Back T6500-KF: Lower additional wall, front or U-clamp mounting options
Fill Fluid:	Dry or liquid less <b>PLUS!</b> <sup>TM</sup> Performance Korasilon (Magnetic spring contacts) White oil (Inductive proximity contacts)

### WETTED COMPONENTS

Burdon Tube	Process connection	Restrictor Ø0,5 mm
Stainless steel 316L (1.4404)	Stainless steel 316L (1.4404)	
Monel® K-500	Monel® 400	

### NON WETTED COMPONENTS

Window:	Safety glass
Window Sealing and Compensation:	NBR optional Viton or Fluorosilicone
Dial:	Black figures on white background, aluminum; (secondary scale is inner scale for dual scale dials)
Pointer:	Black, aluminum and red setpoint pointer
Movement:	Stainless steel 304/303 (1.4301/1.4305)
Case, Bayonet Ring:	Stainless steel 304 (1.4301)


### KEY BENEFITS

- Wide variety of contacts
- Gauge according industrial standard
- High reliability, versatility and performance
- Field adjustable

### ELECTRICAL SPECIFICATIONS

Contacts:	Magnetic spring or inductive proximity contacts see typical specification at data sheet DS K5500
Electrical Connection:	Universal cable junction box Type B Hirschmann EN175301-803 Type A Hirschmann N6RFF S11 connector with LED indication

### APPROVALS

Ingress Protection:	IP65
EN 60529/IEC 529	
ATEX:	 II 2G Ex h IIC T6...T4 Gb X II 2D Ex h IIC T95°C Db X File No. 35134582 at notified body 0044, TÜV NORD CERT

### MIN./MAX. TEMPERATURE LIMITS

VERSION	AMBIENT	PROCESS	STORAGE
Dry	-20 °C to 60 °C	-40 °C to 200 °C	-40 °C to 60 °C
<b>PLUS!</b> <sup>TM</sup>	-20 °C to 60 °C	-40 °C to 100 °C	-40 °C to 60 °C
Korasilon M	-20 °C to 60 °C	-40 °C to 100 °C	-40 °C to 60 °C
Silicone 50 cSt	-20 °C to 60 °C	-40 °C to 100 °C	-40 °C to 60 °C
White Oil	-20 °C to 60 °C	-40 °C to 100 °C	-40 °C to 60 °C
ATEX	-20 °C to 60 °C	-20 °C to 90 °C	-20 °C to 60 °C

### PHYSICAL SPECIFICATIONS

Weight:	100 mm: 0,6 kg (dry), 0,9 kg (liquid filled) 160 mm: 1,2 kg (dry), 2,3 kg (liquid filled)
---------	--

## All stainless steel contact gauge open or solid front Model T5500-KF and T6500-KF

According to EN 837-1 and DIN 16085

ORDERING CODE	EXAMPLE:	100	T5500-KF	S	D	15	L	6BR	I2000	XC3
<b>Dial size</b>										
100	100 mm	100								
160	160 mm									
<b>Model</b>										
T5500-KF	Open front stainless steel pressure gauge		T5500-KF							
T6500-KF	Solid front stainless steel pressure gauge									
<b>Wetted Parts Material</b>										
S	Stainless steel 316L (1.4404) tube and socket			S						
P	Monel® K-500 tube and Monel® 400 socket									
<b>Case Filling</b>										
D	Dry case				D					
L	Liquid filled case									
<b>Connection Size</b>										
02	1/4" NPT male									
03	3/8" NPT male									
04	1/2" NPT male									
09	9/16-18 UNF-2B Aminco									
13	G 1/4 B male									
14	G 3/8 B male									
15	G 1/2 B male					15				
16	M20x1,5 male									
KJ	PF 1/4 B male according JIS B 0202									
KN	PF 1/2 B male according JIS B 0202									
KP	PF 3/8 B male according JIS B 0202									
KQ	R 1/2 according DIN EN 10226-1 [1/2" BSPT (JIS B 0203)]									
KR	R 3/8 according DIN EN 10226-1 [3/8" BSPT (JIS B 0203)]									
<b>Connection Location</b>										
B	Back (only available for model T5500-KF)									
L	Lower						L			
<b>Ranges (coding examples only, see range table on page 4 for all standard ranges)</b>										
6BR	6 bar							6BR		
<b>Electrical Contacts (reference only, see data sheet K5500 for all available contacts)</b>										
M1000	Magnetic spring contact									Contact 1 closes
I2000	Inductive contact acc. NAMUR									Contact 1 opens
I1100SN	Inductive contact acc. NAMUR with safety function								I2000	Contact 1 closes, Contact 2 closes

Option (if including an option(s) must include an "X")

### Agency Approval

- ATEX ATEX approval (see string on page 1)
- EAC Certificate of compliance according EAC

### Case and Bayonet Ring

- BQ Wall mounting bracket (only available for model T5500-KF)
- FW Wall mounting flange (only available for model T5500-KF)
- FF Front flange tack welded to bayonet ring (only available for 100 mm dial size)
- UF U-clamp and flange welded to bayonet ring (only available for model T5500-KF)

### Connection

- TU Throttle plug (Ø 0,5 mm orifice)
- WP No throttle plug on dry or liquid filled gauges

### Liquid filling

- GT Korasilon Oil M (only admissible for magnetic spring contact)
- GQ White oil (Silicone free) (only admissible for inductive contact)
- GV Silicone oil (only admissible for inductive contact)
- LJ Field fillable (not available for ATEX)



**All stainless steel contact gauge open or solid front  
Model T5500-KF and T6500-KF**

According to EN 837-1 and DIN 16085

**ORDERING CODE**                      **EXAMPLE:** 100 T5500-KF S D 15 L 6BR I2000 XC3

Option (if including an option(s) must include an "X")

**Dial**

- D3 DuraVis™ retroreflective dial option (not available for ATEX)
- GU Engineering unit with suffix "g" for "gauge"
- PR Receiver gauge

**Case and Bayonet Ring**

- LL **PLUS!**™ Performance (only available for dry gauges with min. 1 bar gauge pressure span)
- OS Overload range stop
- VS Underload range stop
- RA High overpressure protection (only available for T6500-KF with ranges up to 40 bar and not available for ATEX)

**Electrical Connection**

- Universal cable junction box Type B (Standard)
- M3 Hirschmann EN175301-803 Type A
- M4LED Hirschmann N6RFF S11 connector with LED indication (not available for ATEX)

**Cleaning**

- 6B Cleaned for gaseous Oxygen or other strong oxidizing agents (only available for T6500-KF)
- 6W Cleaned for oxidizing processes other than Oxygen
- YF Cleaned silicone free product

**Marking and Tagging**

- NH Stainless steel tag shield (50 x 30 x 0,2 mm), wired
- NH1 Extra large stainless steel tag shield (120 x 30 x 1 mm), wired

**Test and Certificate**

- CD2 Certificate according to EN 10204 2.2
- C3 Certificate according to EN 10204 3.1 XC3
- CD5 Certificate according to NACE for Oilfields MR0175 / ISO 15156 and Refineries MR0103 / ISO 17945
- MQ Positive material certificate (PMI)
- C4 4-point calibration certificate
- C43 4-point calibration certificate according DIN EN 10204/3.1
- CD10 10-point calibration certificate
- HY Hydrostatic testing according DIN EN 10204/3.1
- N1 Hydrostatic test for pressure gauge system
- ML Mass spectrometer leak test with Helium



## All stainless steel contact gauge open or solid front Model T5500-KF and T6500-KF

According to EN 837-1 and DIN 16085

bar BR	kPa KP	MPa MP	kg/cm <sup>2</sup> KSC	psi PSI	Notes
<b>Pressure</b>					
1	100	0,1	1	15	
1,6	160	0,16	1,6	30	
2,5	250	0,25	2,5	60	
4	400	0,4	4	100	
6	600	0,6	6	160	
10	1.000	1	10	200	
16	1.600	1,6	16	300	
25	2.500	2,5	25	400	
40	4.000	4	40	600	
60	6.000	6	60	800	
100	10.000	10	100	1.000	
160	16.000	16	160	1.500	
250	25.000	25	250	2.000	
400	40.000	40	400	3.000	
600	60.000	60	600	5.000	
1.000	100.000	100	1000	6.000	
				10.000	
				15.000	
<b>Vacuum</b>					
-1/0	-100/0	-0,1/0	-1/0	-30 in.Hg/0	
<b>Compound Ranges</b>					
-1/0,6	-100/60	-0,1/0,06	-1/0,6	-30 in.Hg/15	
-1/1,5	-100/150	-0,1/0,16	-1/1,5	-30 in.Hg/30	
-1/3	-100/300	-0,1/0,3	-1/3	-30 in.Hg/60	
-1/5	-100/500	-0,1/0,5	-1/5	-30 in.Hg/100	
-1/9	-100/900	-0,1/0,9	-1/9	-30 in.Hg/150	
-1/15	-100/1500	-0,1/1,5	-1/15	-30 in.Hg/200	
-1/24	-100/2400	-0,1/2,4	-1/24		

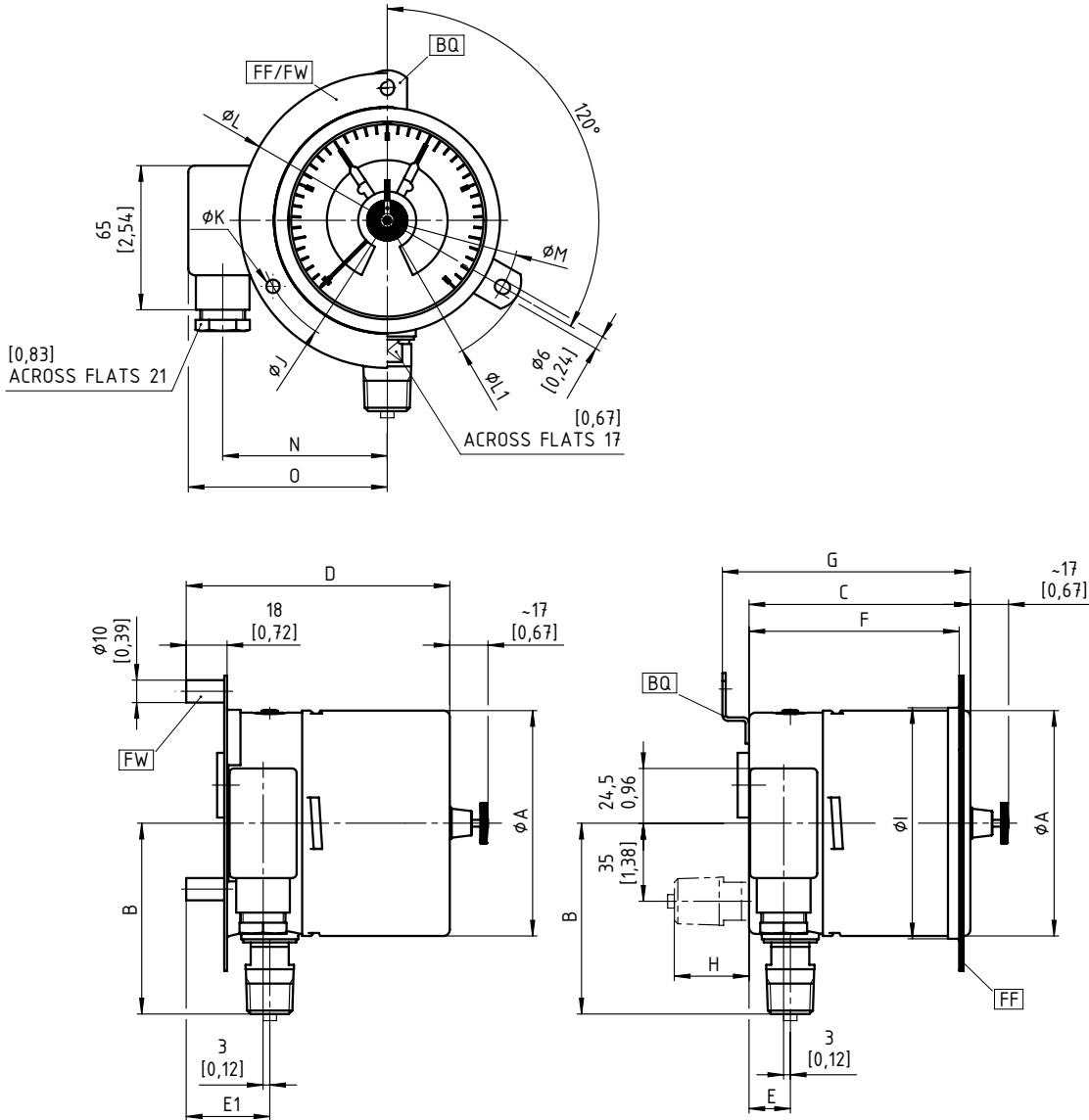


**All stainless steel contact gauge open front**  
**Model T5500-KF**

According to EN 837-1 and DIN 16085

**DIMENSIONS IN MM [INCH]**

For reference only, consult Ashcroft for specific dimensional drawings



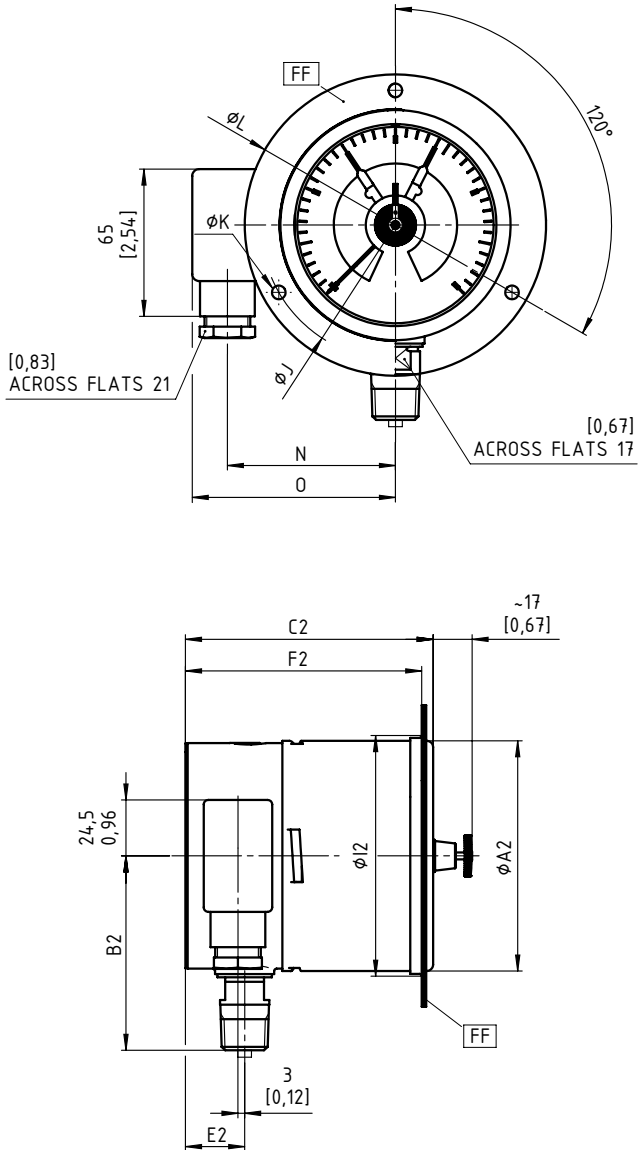
NG	A	B	C	D	E	E1	F	G	H	I	J	K	L	L1	M	N	O
100 mm	101 [3,97]	85 [3,36]	99 [3,9]	118 [4,64]	18,5 [0,73]	36,5 [1,44]	94 [3,7]	111 [4,37]	35 [1,38]	102 [4]	118 [4,65]	6 [0,24]	132 [5,2]	134 [5,28]	119 [4,69]	74 [2,9]	89 [3,5]
160 mm	161 [6,35]	115 [4,54]	100 [3,94]	119 [4,68]	17 [0,67]	37 [1,47]	94 [3,7]	112 [4,41]	37 [1,46]	162 [6,36]	178 [7,01]	6 [0,24]	196 [7,72]	194 [7,64]	179 [7,05]	103 [4,06]	119 [4,67]



**All stainless steel contact gauge solid front**  
**Model T6500-KF**  
According to EN 837-1

**DIMENSIONS IN MM [INCH]**

For reference only, consult Ashcroft for specific dimensional drawings



NG	A2	B2	C2	E2	F2	I2	J	K	L	N	O
100	101	85	109	26	104	102	118	6	132	74	89
mm	[3,97]	[3,36]	[4,27]	[1,02]	[4,07]	[4]	[4,65]	[0,24]	[5,2]	[2,9]	[3,5]
160	161	115	115	28	109	162	178	6	196	103	119
mm	[6,35]	[4,54]	[4,51]	[1,11]	[4,27]	[6,36]	[7,01]	[0,24]	[7,72]	[4,06]	[4,69]

