

## All stainless steel process gauge open or solid front

### Model T5500 and T6500

According to EN 837-1

#### FEATURES

- Rugged all welded stainless steel construction
- 100 mm and 160 mm case size
- Weatherproof protection IP66/IP67 (NEMA 4X)
- ATEX approval
- Optional arctic ambient temperature -70°C
- Overload protection 130 %
- Dry, liquid filled or **PLUS!™** Performance option
- Monel wetted system optional

#### TYPICAL USES

- Offshore oil rigs
- Chemical and petrochemical plants
- Machine equipment
- Food and beverage industry
- Pulp and paper
- Power plants



#### SPECIFICATIONS

Model number:	T5500 open front with rear blow out disk, compensation diaphragm and ventable fill plug on top T6500 solid front with rear blow out back, compensation diaphragm wall and ventable fill plug on top
Accuracy:	Class 1; 1 % Full scale optional 0.5 % Full scale
Sizes:	100 mm or 160 mm
Ranges:	Vacuum, compound, 0 to 1000 bar psi, kPa, MPa, kg/cm <sup>2</sup> and others
Process Connection Sizes:	All common sizes, see page 6
Process Connection Location:	T5500: Lower or back T6500: Lower
Working pressure:	Suitable for maximum steady working pressure equal to the maximum scale value
Fill Fluid:	Dry, Glycerine, White oil, Silicone, Halocarbon or liquid less <b>PLUS!™</b> Performance

#### WETTED COMPONENTS

Bourdon Tube	Process Connection	Restrictor (orifice 0,5 mm):
St.st. 316L (1.4404)	St.st. 316L (1.4404)	St.st. 316L (1.4404)
Monel® K-500	Monel® 400	Monel® 400

#### NON-WETTED COMPONENTS

Window:	T5500: Glass, polycarbonate or safety glass T6500: Safety glass or polycarbonate
Window Sealing and Compensation:	NBR optional Viton or Fluorosilicone
Dial:	Black figures on white background, aluminum; (secondary scale is inner scale for dual scale dials)
Pointer:	Black, aluminum optional adjustable micrometer pointer, red set hand, maximum pointer
Movement:	Stainless steel 304 (1.4301) optional stainless steel 316L (1.4404)
Case and Bayonet Ring:	Stainless steel 304 (1.4301) optional stainless steel 316L (1.4404)

The Ashcroft® T5500 stainless steel pressure gauge has become an industry standard. Providing high reliability, versatility and performance, it proves an ideal product for satisfying many applications and installation requirements.

#### MIN./MAX. TEMPERATURE LIMITS

VERSION	AMBIENT	PROCESS	STORAGE
Dry	-40 °C bis 70 °C (-40 °F bis 158 °F)	-40 °C bis 200 °C (-40 °F bis 392 °F)	-40 °C bis 70 °C (-40 °F bis 158 °F)
<b>PLUS!™</b>	-40 °C bis 70 °C (-40 °F bis 158 °F)	-40 °C bis 100 °C (-40 °F bis 212 °F)	-40 °C bis 70 °C (-40 °F bis 158 °F)
Glycerine	-7 °C bis 70 °C (19 °F bis 158 °F)	-7 °C bis 70 °C (19 °F bis 158 °F)	-20 °C bis 70 °C (-4 °F bis 158 °F)
Silicone	-40 °C bis 70 °C (-40 °F bis 158 °F)	-40 °C bis 93 °C (-40 °F bis 200 °F)	-40 °C bis 70 °C (-40 °F bis 158 °F)
Halocarbon®	-40 °C bis 70 °C (-40 °F bis 158 °F)	-40 °C bis 93 °C (-40 °F bis 200 °F)	-40 °C bis 70 °C (-40 °F bis 158 °F)
ATEX	-40°C bis 60 °C (-40 °F bis 140 °F)	Check instruction manual	-40°C bis 60 °C (-40 °F bis 140 °F)
Code "SH"	-15°C bis 40 °C (5 °F bis 104 °F)		-40°C bis 60 °C (-40 °F bis 140 °F)
Low Temp Silicone	-70 °C bis 70 °C (-94 °F bis 158 °F)	-70 °C bis 93 °C (-94 °F bis 200 °F)	-70 °C bis 70 °C (-94 °F bis 158 °F)

Temperature Effects: Max. 0,4% of span per 10 K change reference temperature 20 °C

Weather Protection: (1)  
Dry: IP66 and NEMA 4X  
Liquid filled: IP66/67 and NEMA 4X  
Hermetically sealed case: IP66/67 and NEMA 4X

Approvals:  

 II 2G Ex h IIC T6...T1 Gb X  
 II 2D Ex h IIC T85°C...T450°C Db X  
 EU File-No. 35286061 (TUV NORD CERT, NB 0044)  
 CE (Conformité Européenne)  
 EAC (EurAsian Conformity)

Overpressure: 130% of maximum full scale

Weight: 100 mm: 0,9 kg (dry), 1,2 kg (liquid filled)  
160 mm: 1,2 kg (dry), 2,0 kg (liquid filled)

Electrical Contact: See data sheet T5500-KF

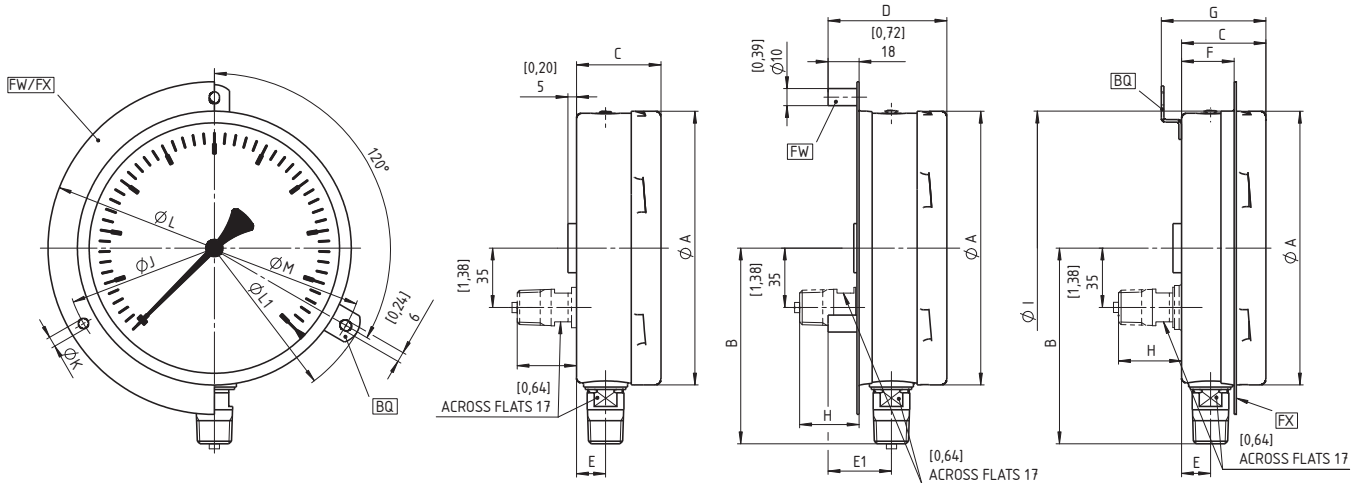
Integrated Pressure Transducer: See data sheet T5500-E

All stainless steel process gauge open or solid front  
Model T5500 and T6500

**DIMENSIONS IN MM [INCH]**

For reference only, consult Ashcroft for specific dimensional drawings

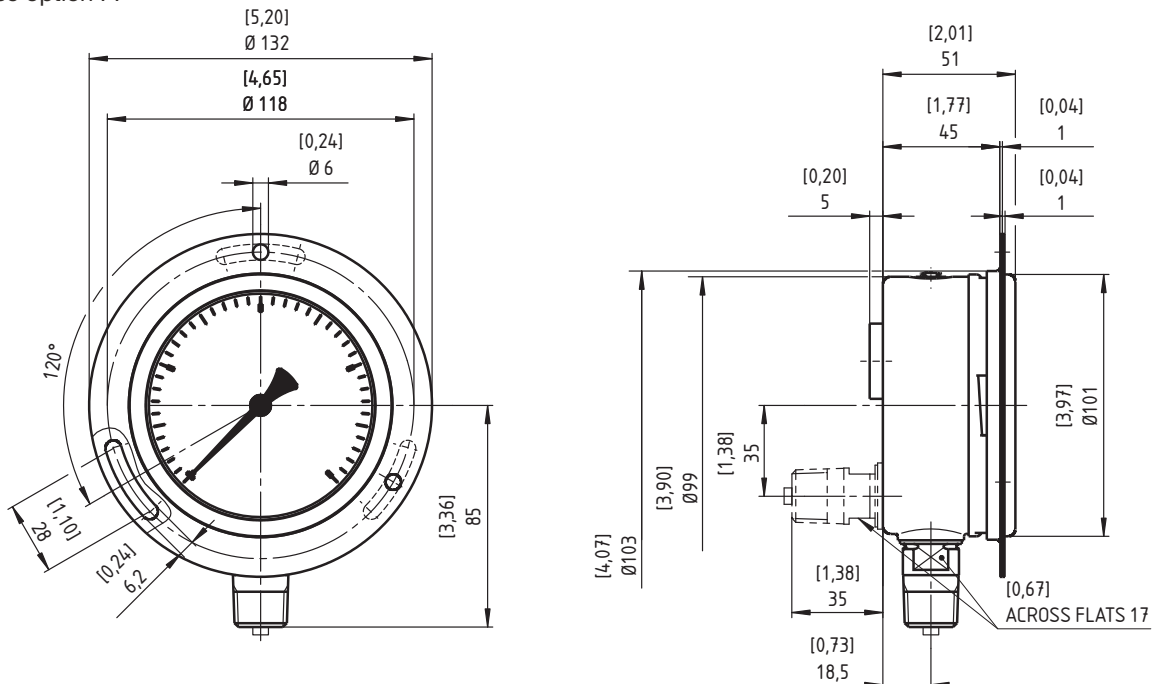
- Model T5500
- Case option BQ, FW, FX



REV. P

Dial Size	A	B	C	D	E	E1	F	G	H	I	J	K	L	L1	M
100 mm	[3,97] 101	[3,36] 85	[2,01] 51	[2,72] 69	[0,73] 18,5	[1,44] 36,5	[1,26] 32	[2,48] 63	[1,38] 35	[4,00] 102	[4,65] 118	[0,24] 6	[5,20] 132	[5,28] 134	[4,69] 119
160 mm	[6,35] 161	[4,54] 115	[1,96] 50	[2,76] 70	[0,67] 17	[1,47] 37	[1,22] 31	[2,43] 62	[1,46] 37	[6,36] 162	[7,01] 178	[0,24] 6	[7,72] 196	[7,64] 194	[7,05] 179

- Model T5500
- Case option FF

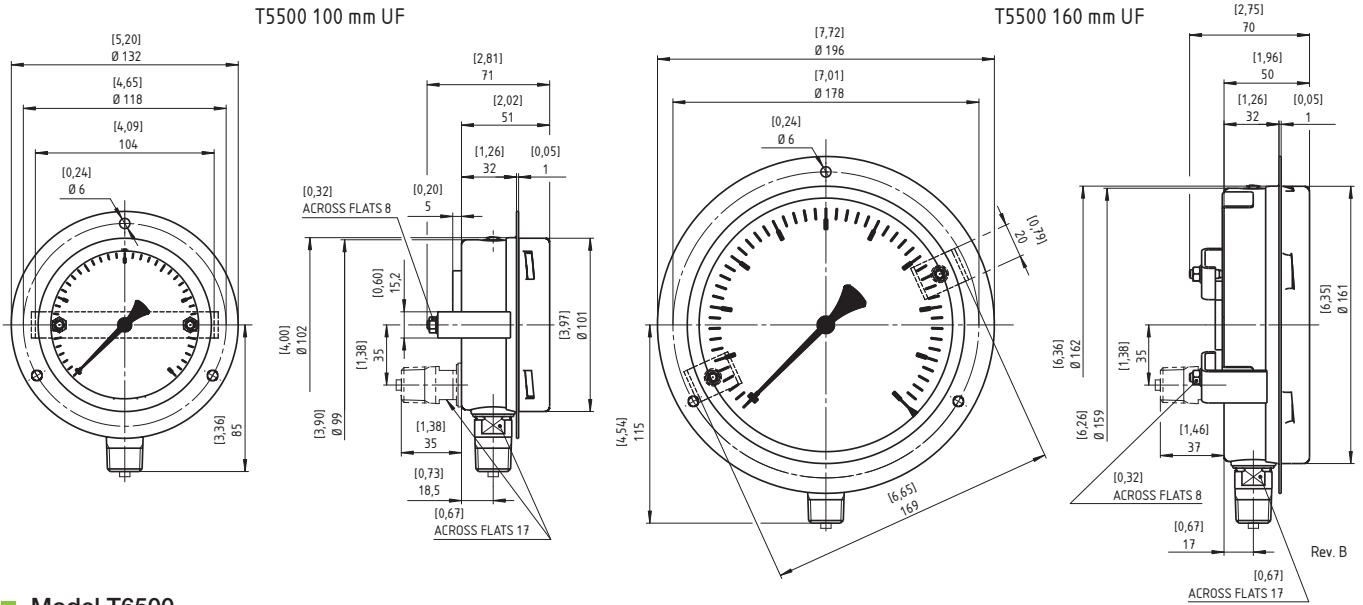


# All stainless steel process gauge open or solid front Model T5500 and T6500

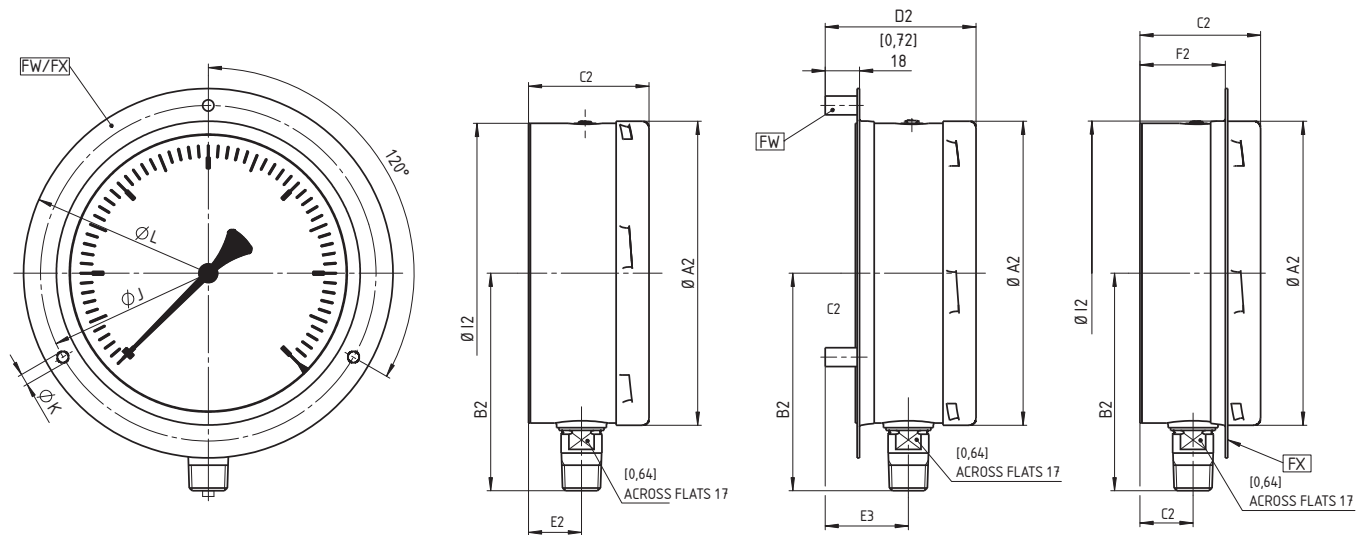
## DIMENSIONS IN MM [INCH]

For reference only, consult Ashcroft for specific dimensional drawings

- Model T5500
- Case option UF



- Model T6500
- Case option FW, FX



Dial Size	A2	B2	C2	D2	E2	E3	F2	I2	J	K	L
100 mm	[3,97] 101	[3,36] 85	[2,38] 61	[2,91] 74	[1,02] 26	[1,55] 39	[1,63] 42	[4,00] 102	[4,65] 118	[0,24] 6	[5,20] 132
160 mm	[6,35] 161	[4,54] 115	[2,52] 64	[3,15] 80	[1,11] 28	[1,74] 44	[1,78] 45	[6,36] 162	[7,01] 178	[0,24] 6	[7,72] 196

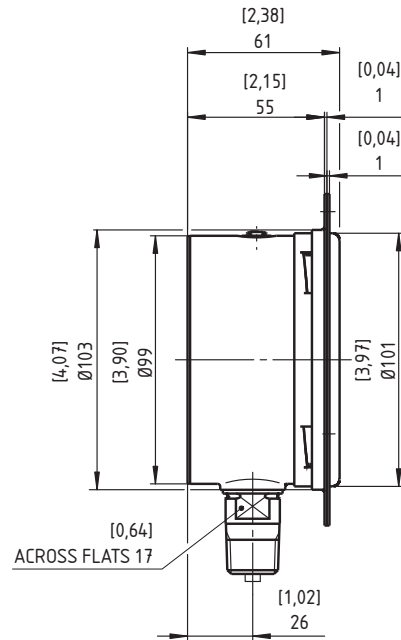
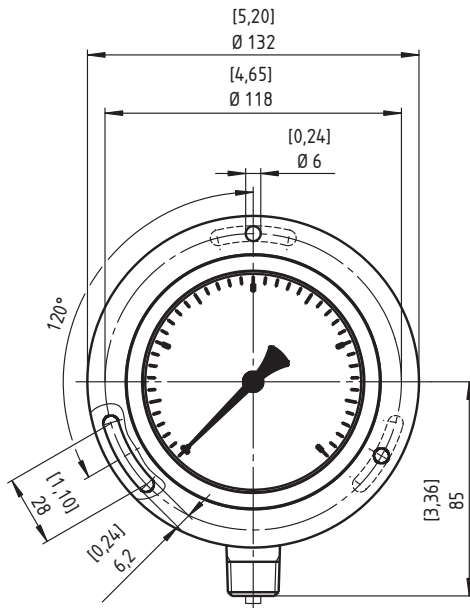


All stainless steel process gauge open or solid front  
**Model T6500**

**DIMENSIONS IN MM [INCH]**

For reference only, consult Ashcroft for specific dimensional drawings

- Model T6500
- Case option FF



All stainless steel process gauge open or solid front  
Model T5500 and T6500

RANGE					NOTES
BAR BR	KPA KP	MPA MP	KG/CM <sup>2</sup> KSC	PSI PSI	
<b>PRESSURE</b>					(1) not available for liquid filled or with liquid less <b>PLUS!</b> <sup>™</sup> Performance (LL or NS option)
0,6 <sup>(1)</sup>	60 <sup>(1)</sup>	0,06 <sup>(1)</sup>	0,6 <sup>(1)</sup>	10 <sup>(1)</sup>	
1	100	0,1	1	15	
1,6	160	0,16	1,6	30	
2,5	250	0,25	2,5	60	
4	400	0,4	4	100	
6	600	0,6	6	160	
10	1.000	1	10	200	
16	1.600	1,6	16	300	
25	2.500	2,5	25	400	
40	4.000	4	40	600	
60	6.000	6	60	800	
100	10.000	10	100	1.000	
160	16.000	16	160	1.500	
250	25.000	25	250	2.000	
400	40.000	40	400	3.000	
600	60.000	60	600	5.000	
1.000	100.000	100	1000	6.000	
				10.000	
				15.000	
<b>VACUUM</b> <sup>(2)</sup>					(2) not available with liquid less <b>PLUS!</b> <sup>™</sup> Performance (LL or NS option)
-1/0	-100/0	-0,1/0	-1/0	-30 in.Hg/0	
<b>Compound Ranges</b>					
-1/0,6	-100/60	-0,1/0,06	-1/0,6	-30 in.Hg/15	
-1/1,5	-100/150	-0,1/0,16	-1/1,5	-30 in.Hg/30	
-1/3	-100/300	-0,1/0,3	-1/3	-30 in.Hg/60	
-1/5	-100/500	-0,1/0,5	-1/5	-30 in.Hg/100	
-1/9	-100/900	-0,1/0,9	-1/9	-30 in.Hg/150	
-1/15	-100/1500	-0,1/1,5	-1/15	-30 in.Hg/200	
-1/24	-100/2400	-0,1/2,4	-1/24		

Other ranges and engineering units available



**All stainless steel process gauge open or solid front  
Model T5500 and T6500**

ORDERING CODE	EXAMPLE:	100	T5500	S	D	15	L	16	BR	X
<b>Dial Size</b>										
100	100 mm									
160	160 mm									
<b>Model</b>										
T5500	Open front stainless steel pressure gauge									
T6500	Solid front stainless steel pressure gauge									
<b>Wetted Parts Material</b>										
S	Stainless steel 316L (1.4404) tube and socket									
P	Monel tube and socket									
<b>Case Filling</b>										
D	Dry case									
L	Liquid filled case									
<b>Process Connection</b>										
02	1/4" NPT male									
03	3/8" NPT male									
04	1/2" NPT male									
09	9/16-18 UNF-2B Aminco									
13	G 1/4 B male									
14	G 3/8 B male									
15	G 1/2 B male									
16	M20x1,5 male									
25	1/4" NPT female									
EJ	7/16-20 UNF-3A 37° Flare									
KJ	PF 1/4 B parallel pipe male (JIS B 0202)									
KN	PF 1/2 B parallel pipe male (JIS B 0202)									
KP	PF 3/8 B parallel pipe male (JIS B 0202)									
KQ	R 1/2 DIN EN 10226-1 (1/2" BSPT / JIS B 0203)									
KR	R 3/8" DIN EN 10226-1 (3/8" BSPT / JIS B 0203)									
RF	9/16-18 UNF for 3/8" O.D. tubing									
<b>Connection Location</b>										
B	Back (not available for model T6500)									
L	Lower									
<b>Range</b>										
See table RANGES										
<b>Engineering Unit</b>										
BR	Engineering Unit other engineering units available, check range table									
<b>Options (If choosing an option(s) must include a "X")</b>										
See next pages										



## All stainless steel process gauge open or solid front Model T5500 and T6500

**ORDERING CODE**      **EXAMPLE:**    100    T5500    S    D    15    L    16    BR    X    YW

**Accuracy**

AJ      Special accuracy 0,5 % grade 2A according to ASME B40.100 (Not for ranges < 1 bar (dry) or < 4 bar (liquid filled))

**Agency Approval**

ATEX      ATEX approval (see page 1) (only available with laminated safety glass)

**Case Material**

YW      Case and ring material stainless steel 316L YW

**Case And Ring**

- BQ      Wall mounting bracket
- FF      Front flange on bayonet ring (Not for dial size 160 mm)
- FW      Wall mounting flange
- FX      Front flange tack welded to case
- UF      U-clamp for panel mounting (Not for model T6500)

**Connection**

- TU      Throttle plug
- WP      No throttle plug in dry or liquid filled cases

**Liquid filling**

- GQ      White oil
- GR      Glycerine 99,5%
- GV      Silicone
- GX      Halocarbon
- QC      Low temperature silicone for ambient temperature up to -70°C, includes Fluorosilicone sealing (For 100 mm T6500 only)
- LJ      Field fillable

**Dial options**

- AB      Absolute pressure
- CS      Combination range / Dual scale
- DN      Dial calibrated at angle other than vertical (Information is required by the customer)
- E6      Dial pin in 6 o'clock position
- ON      Without Ashcroft logo, neutral
- PR      Receiver gauge (Information is required by the customer)
- SS      Special Scale (Information is required by the customer)
- 6Y      Skydrol use

**Movement**

- LL      PLUS!TM Performance (Not available with Halocarbon filling)
- NZ      PLUS!TM Performance silicone free (Not for execution L (liquid filled))
- OS      Overload range stop
- VS      Underload range stop up to -1 bar
- SM      Stainless steel 316L (1.4404) movement

**Pointer**

- MP      Adjustable micrometer pointer



**All stainless steel process gauge open or solid front  
Model T5500 and T6500**

**ORDERING CODE**      **EXAMPLE:**    100    T5500    S    D    15    L    16    BR    X    YW

**Window**

- PD      Polycarbonate window
- SG      Laminated safety glass (Standard with model T6500)
- EP      Maximum pointer and polycarbonate window
- EQ      Minimum Pointer and polycarbonate window
- SH      Red set hand stationary and polycarbonate window

**Material Origin**

- WO      Western origin of all wetted parts

**Cleaning**

- 6B      Cleaned for gaseous Oxygen or other strong oxidizing agents  
(Not for T5500 (open front) acc. to EN 837-1 and information is required by the customer)
- 6W      Cleaned "free of oil and grease" (no Oxygen service)
- MF      Free from Mercury contamination
- YF      Cleaned silicone free product

**Marking And Tagging**

- DA      Dial marking printed on dial (Information is required by the customer)
- NH      Stainless steel tagging wired (Information is required by the customer)
- NH1    Extra lage stainless steel tagging, wired (120 x 30 x 1 mm) (Information is required by the customer)

**Material Certificate**

- CD2    Certificate according to EN 10204 2.2
- C3      Certificate according to EN 10204 3.1
- CD5    Certificate according to NACE for Oilfields MR0175 / ISO 15156-2015 and for Refineries MR0103 / ISO 17945-2015
- MQ      Positive material certificate (PMI)

**Test Certificate**

- C4      CD-4 calibration certificate
- C43    CD-4 calibration certificate option according to DIN EN 10204/3.1
- CD10   Calibration certificate 10 points
- HY      Hydrostatic pressure test
- ML      Mass spectrometer leak test

