

Flushing Ring Type FR

FEATURES

- Machined from bar stock
- Various EN 1092-1 and ASME B16.5 fits
- Various materials available
- Optional with pipe plugs

APPLICATIONS

- Providing flushing connection for flush flanged (type DF) or sandwich type (type DS) diaphragm seals
- The flushing ring is clamped between the process flange and the diaphragm seal
- Conformity according to RL 2014/34/EU appendix X for mechanical equipment in potential hazardous areas if assembled to an approved ASHCROFT diaphragm seal



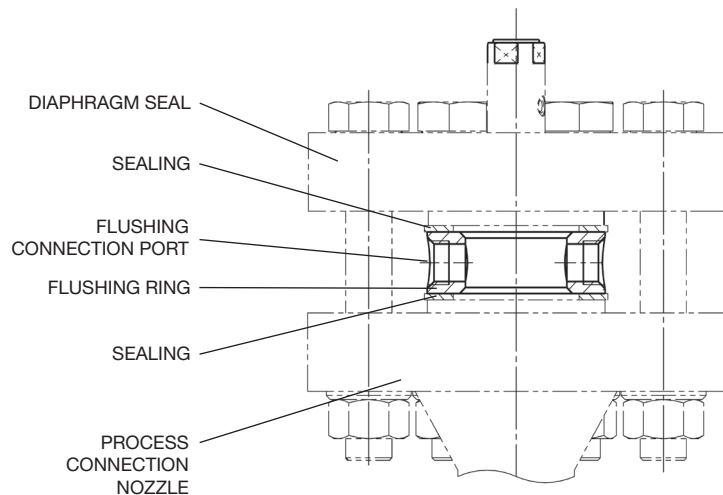
SPECIFICATIONS

Process Conn: DN25 - DN100, 1" - 4"

Flushing Conn: 2-times 1/2 NPT female
1/4 NPT female for size 1"

Construction: Various materials available

Pressure rating: Up to PN400 or 2.500 lbs

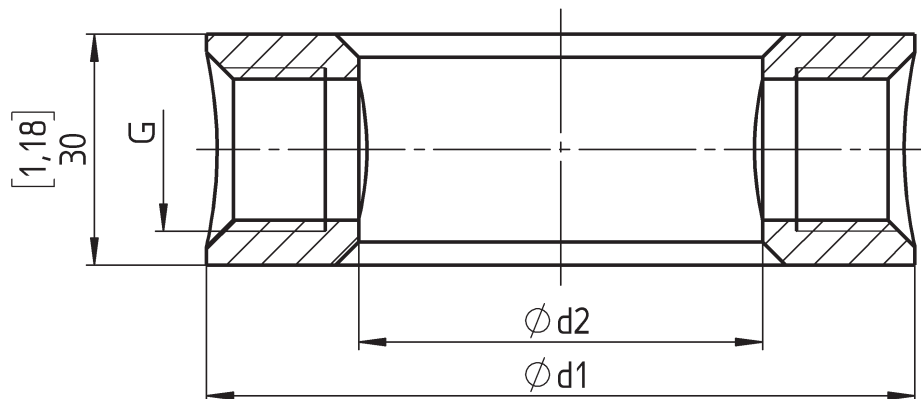


Rev. B

Rev. B

Flushing Ring Type FR

DIMENSIONS (dimensions in [] are decimal inches)



SIZE DN	PRESSURE RATING	ød1	ød2	G
DN25	PN16 ... PN400	[2,68] 68,0	[1,14] 29,0	1/2-14 NPT
DN40		[3,46] 88,0	[1,73] 44,0	
DN50		[4,02] 102,0	[2,17] 55,0	
DN80		[5,43] 138,0	[3,54] 90,0	
DN100		[6,38] 162,0	[4,21] 107,0	
1"	CL150 ... CL2500	[2,00] 50,8	[1,05] 26,6	1/4-18 NPT
1 1/2"		[2,87] 73,0	[1,61] 40,9	1/2-14 NPT
2"		[3,63] 92,1	[2,07] 52,5	
3"		[5,00] 127,0	[3,07] 77,9	
4"		[6,19] 157,2	[4,03] 102,3	

ORDER EXAMPLE

■ Flushig Ring (acc. to EN 1092-1):

Example: **DN50 FR S PN400 D X=PU**

Connection Size (acc to EN 1092-1)

(DN25)	DN25	
(DN40)	DN40	
(DN50)	DN50	DN50
(DN80)	DN80	
(DN100)	DN100	

Model Type

(FR)	Flushing ring with two opposite flushing connections	FR
------	--	----

Flange Material

(G)	Hastelloy B (2.4617)	
(H)	Hastelloy C-276 (2.4819)	
(M)	Monel 400 (2.4360)	
(S)	Stainless steel 316L (1.4404)	S
(W)	Inconel 625 (2.4856)	
(Z)	Duplex (UNS S31803, ASTM A152 F51, 1.4462)	
(X)	Specified by customer	

Pressure Rating

(PN400)	Pressure rating PN400	PN400
---------	-----------------------	-------

Flange style

()	Standard (no data)	
(D)	Form D (groove)	D

Other options

(PU)	Pipe plug flushing connection (same material as ring)	PU
(WO)	Western origin materials of wetted parts	
(MO)	Instrument assembled to accessory	
(6W)	Cleaned for oxidizing processes other than Oxygen	
(NH)	Stainless steel tagging wired	
(CD2)	Certificate according to EN 10204 2.2	
(C3)	Certificate according to EN 10204 3.1	
CD5)	Material certificate according NACE MR0175/ISO15156-2003 and NACE MR0103-2005 (2)	
(MQ)	Positive material certificate (PMI)	

ORDER EXAMPLE

■ Flushig Ring (acc. to ASME B16.5):

Example: 20 FR S 150 RJ X=PU

Connection Size (acc to EN 1092-1)

(10)	Flange size 1"	
(15)	Flange size 1-1/2"	
(20)	Flange size 2"	20
(30)	Flange size 3"	
(40)	Flange size 4"	

Model Type

(FR)	Flushing ring with two opposite flushing connections	FR
------	--	----

Flange Material

(G)	Hastelloy B (2.4617)	
(H)	Hastelloy C-276 (2.4819)	
(M)	Monel 400 (2.4360)	
(S)	Stainless steel 316L (1.4404)	S
(W)	Inconel 625 (2.4856)	
(Z)	Duplex (UNS S31803, ASTM A152 F51, 1.4462)	
(X)	Specified by customer	

Pressure Rating

(150)	Pressure rating 150 lbs	150
(300)	Pressure rating 300 lbs	
(600)	Pressure rating 600 lbs	
(900)	Pressure rating 900 lbs	
(1500)	Pressure rating 1500 lbs	
(2500)	Pressure rating 2500 lbs	

Flange style

()	Standard (no data)	
(RJ)	Ring type joint	RJ

Other options

(PU)	Pipe plug flushing connection (same material as ring)	PU
(WO)	Western origin materials of wetted parts	
(MO)	Instrument assembled to accessory	
(6W)	Cleaned for oxidizing processes other than Oxygen	
(NH)	Stainless steel tagging wired	
(CD2)	Certificate according to EN 10204 2.2	
(C3)	Certificate according to EN 10204 3.1	
CD5)	Material certificate according NACE MR0175/ISO15156-2003 and NACE MR0103-2005 (2)	
(MQ)	Positive material certificate (PMI)	