

All stainless steel pressure gauge Model 5008

According EN 837-1
Nominal size 63 mm
Accuracy Class 1,6



Features

- Rugged stainless steel construction
- Socket and case welded
- Protection IP66 & IP67
- Overload protection 130 %
- Dry or liquid filled

Ranges

-1 ... 0 bar up to 0 ... 1000 bar
-30 in. Hg ... 0 psi up to 0 ... 15.000 psi

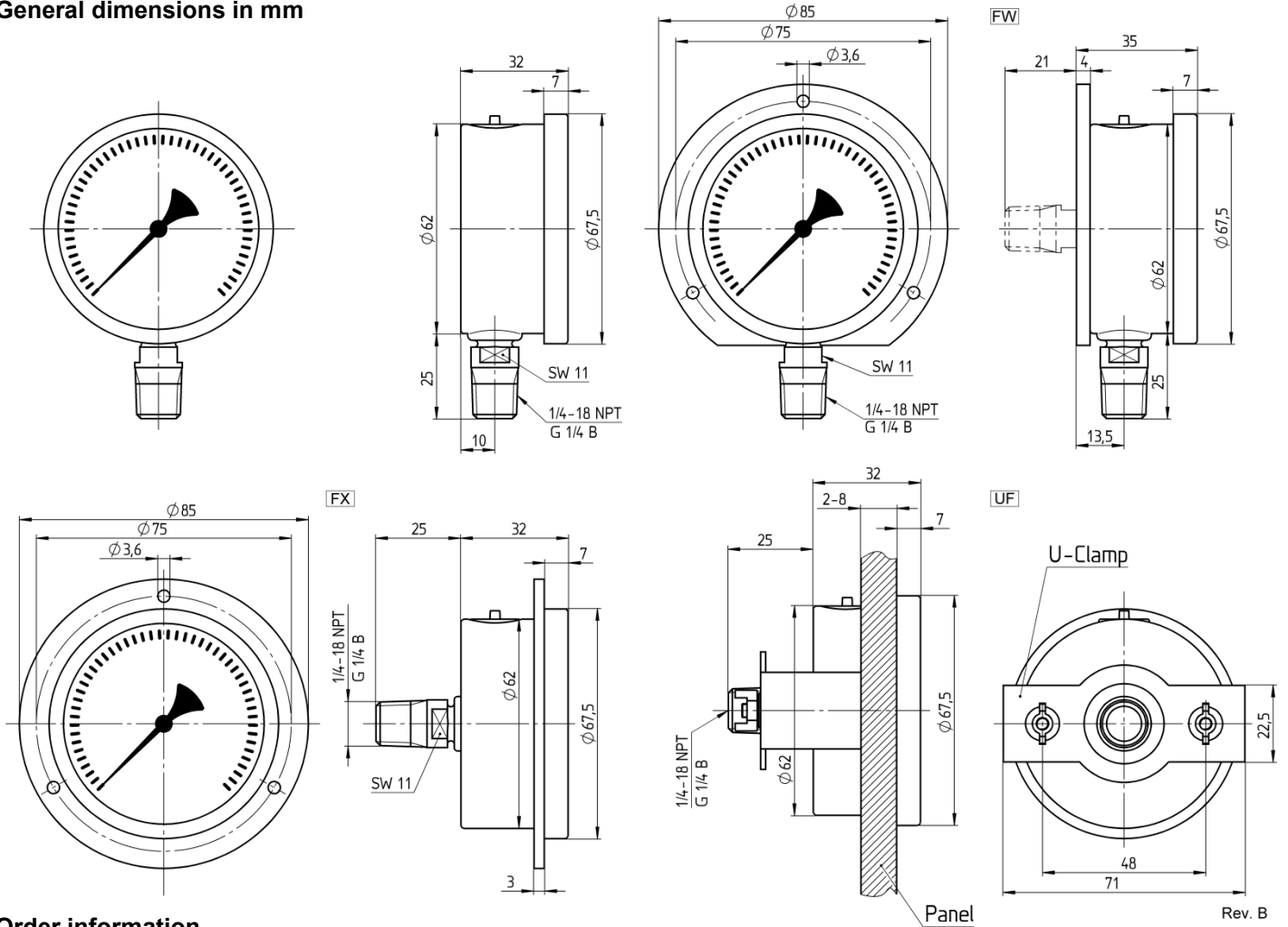
Applications

Chemical and petrochemical industry
Machine and apparatus construction
Food and beverage industry
Pulp and paper industry



Technical specification	5008
Dial size in mm	63
Construction	Open front cylindrical case with fill plug and vent valve on top
Ring design	Crimped ring
Measuring principle	Bourdon tube
Range in bar	1 1,6 2,5 4 6 10 16 25 40 60 100 160 250 400 600 1000 -1/0 -1/0,6 -1/1,5 -1/3 -1/5 -1/9
Range in psi	15 30 60 100 150 200 300 400 600 1000 1500 2000 3000 5000 6000 10.000 15.000
Range in in.Hg/psi	-30/0 -30/15 -30/30 -30/60 -30/100 -30/150 -30/300
Overpressure limit	130 % F.S., short time
Pressure type	Gauge, vacuum and compound
Process connection	G ¼ B male according EN 837, R ¼ male tapered according JIS or BSP ½ or ¼ NPT male according ANSI/ASME B1.20.1
Connection location	Lower, center back
Material	
Pressure connection	Stainless steel 316L (1.4404)
Tube	Stainless steel 316L (1.4404)
Case/bayonet ring	Stainless steel 304 (1.4301), optional 316L (1.4404)
Window	Instrument glass, optional laminated safety glass or acrylic glass
Dial	Aluminum, black markings on white background
Pointer	Plastic, black
Movement	Stainless steel 304 (1.4301)
Accuracy	Class 1,6 (1,6 % F.S.)
Permissible	
Ambient temperature	-40 ... 60 °C
Medium temperature	Max. 200 °C (dry), max. 100 °C (liquid filled)
Storage temperature	-40 ... 60 °C
Temperature effect	Max. 0,3 % / 10 K
Conformity according to RL 2014/34/EU appendix X for mechanical equipment in potential hazardous areas	Optional, Marking CE Ex II 2G Ex h IIC T6..T1 Gb X CE Ex II 2D Ex h IIC T85..T450°C Db X Tamb -40 ... 60 °C File no. 35118307 at notified body 0044, TUV NORD CERT Used harmonized standards: DIN EN ISO 80079-36:2016-12 and DIN EN ISO 80079-37:2016-12 (only with safety glass)
Protection according EN 60 529/IEC 529	IP66 & IP67
Filling liquid	Glycerin or silicone
Mounting	Standard stem, optional flush, U-clamp or surface
Weight dry/filled in kg	0,2/0,3
Accessories, options	valves

General dimensions in mm



Order information

Size	Type	System material	Execution	Process connection	Connection orientation	Range	Engineering units	Filling/Case material	Options
(63) 63 mm	5008 Crimped ring (open front)	(S) 316L (1.4404)	(D) Dry IP66 & IP67 (L) Liquid filled IP66 & IP67	(01) 1/4 NPT male ¹⁾ (02) 1/4 NPT male (13) G 1/4 B male (KA) R 1/4 male, tapered JIS, BSP	(L) Lower (B) Center back	-1/ 0 -1/ 0,6 -1/ 1,5 -1/ 3 -1/ 5 -1/ 9 0/ 1 0/ 1,6 0/ 2,5 0/ 4 0/ 6 0/ 10 0/ 16 0/ 25 0/ 40 0/ 60 0/ 100 0/ 160 0/ 250 0/ 400 0/ 600 0/ 1000	(BAR)	(=) Standard no filling (GR) Glycerin (GV) Silicone (YW) Case material 316L (1.4404)	(NH) Tagging wired (DA) Dial Marking ¹⁾ (TU) Throttle plug stainless steel (PD) Acrylic glass (SG) Safety glass (FX) Front flange (FW) Back flange (UF) U-clamp (AT) ATEX listed ²⁾
				¹⁾ max. 400 bar			psi and others on request		¹⁾ logo available with one color only ²⁾ (SG) Safety glass mandatory for (AT) option

How to order

Size	Type	System material	Execution	Process connection	Connection orientation	Range	Engineering unit	Filling/Case material	Option
63	5008	S	D	02	B	0/16	BAR	YW	FX

Ashcroft Instruments GmbH

Germany
Max-Planck-Str. 1-9
D-52477 Alsdorf
Tel.: +49 (0) 2404 5589-0

France
„33, rue des Chardonnetets Microparc –
Bat.D,
93290 TREMBLAY-EN-FRANCE
Tel.: +33 (0) 1848 111500

Website: www.ashcroft.eu
Ashcroft Ltd.
Unit 17 & 18 William James House
Cowley Road,
Cambridge CB4 0WX
Tel.: +44 (0) 12 23 39 55 00

e-Mail: sales@ashcroft.com
Ashcroft ISTANBUL
Gayrettepe Mah. Yildiz Posta Cad.
Yildiz Residence No:24 K:1 D:4
34349 Besiktas –Istanbul
Tel.: +90 (0)212 3270847