

Data Sheet

All stainless steel process gauge

Model T50 and T60

According to EN 837-1 or ASME B 40.1

FEATURES

- Rugged all welded stainless steel construction
- 100 mm and 160 mm dial size
- Weatherproof protection IP66
- Overload protection 125 %
- Dry, liquid filled
- Hastelloy® C-276 or Inconel® 625 wetted system

TYPICAL USES

- Offshore oil rigs
- Chemical and petrochemical plants
- Machine equipment
- Food and beverage industry
- Pulp and paper
- Power plants



T60
Solid front



SPECIFICATIONS

Model:	T50 open front with rear blow out protection T60 solid front with rear blow out protection
Accuracy:	Class 1.6; 1.6 % Full scale optional Class 1; 1 % Full scale
Dial Sizes:	100 mm and 160 mm
Ranges:	Vacuum, compound, 0 to 700 bar (10000 psi)
Working Pressure:	75 % of max. scale value
Over Pressure Limit:	125 % of max. scale value optional: add +20 % of standard limit
Process Connection:	1/2 NPT or G 1/2 B
Process Connection Location:	Lower or lower back

WETTED COMPONENTS

Tube:	Hastelloy® C-276 (2.4819) Inconel® 625 (2.4856)
Socket:	Hastelloy® C-276 (2.4819) Inconel® 625 (2.4856)

NON-WETTED COMPONENTS

Window:	Laminated safety glass
Window Sealing:	NBR
Compensation:	NBR
Dial:	Aluminum, black markings on white background
Pointer:	Black, aluminum adjustable micrometer pointer
Movement:	Stainless steel 304 (1.4301) optional: 316L (1.4404)
Case:	Stainless steel 304 (1.4301) optional: 316 (1.4401)
Bayonet Ring:	Stainless steel 304 (1.4301) optional: 316 (1.4401)

KEY BENEFITS

- Laser welded case design
- Suitable for oxygen service
- Internal vacuum or over pressure stop
- NACE compliant
- Helium leak tested

MIN./MAX. TEMPERATURE LIMITS

VERSION	AMBIENT	PROCESS	STORAGE
Dry	-20 °C to 65 °C (-4 °F to 150 °F)	max. 200 °C (max. 392 °F)	-20 °C to 65 °C (-4 °F to 150 °F)
Glycerine	-7 °C to 65 °C (19 °F to 150 °F)	-7 °C to 65 °C (19 °F to 150 °F)	-7 °C to 65 °C (19 °F to 150 °F)
Silicone	-20 °C to 65 °C (-4 °F to 150 °F)	-20 °C to 65 °C (-4 °F to 150 °F)	-20 °C to 65 °C (-4 °F to 150 °F)

All stainless steel process gauge Model T50 and T60

ORDERING CODE		EXAMPLE:	100	T60	H	D	15	L	6BR	XC3
Dial Size										
100	100 mm		100							
160	160 mm									
Model Code										
T50	All stainless steel open front process gauge with class 1.6 accuracy									
T60	All stainless steel solid front process gauge with class 1.6 accuracy			T60						
Wetted components (Tube and socket)										
H	Hastelloy [®] C-276 (2.4819)				H					
I	Inconel [®] 625 (2.4856)									
Case Filling										
D	Dry case (standard)					D				
L	Liquid filled case									
Process Connection										
02	1/4 NPT Male									
04	1/2 NPT Male									
13	G 1/4 B Male									
15	G 1/2 B Male						15			
16	M20x1.5 Male									
others on request										
Process Connection Location										
B	Lower back									
L	Lower							L		
Range (coding example only, see range table on page 4 for all standard ranges)										
Single Scales										
6BR	6 bar								6BR	
Options (If choosing an option(s) must include a "X")										X_
Accuracy										
AN	1,0 % Accuracy									
Case/Ring										
YW	Stainless steel 316L (1.4404) housing									
FW	Wall mounting bracket									
FX	Front flange									
Dial										
SS	Special range (Information is required by the customer)									
CS	Combination range / Dual scale									
AB	Absolute pressure									
E6	Dial pin in 6 o'clock position									
Connection										
TU	Throttle plug									
Liquid filling										
GR	Glycerine									
GQ	White oil (FDA approval)									
GV	Silicone 50 cSt									
GX	Halocarbon [®]									
LJ	Field fiiable for silicone oil									
Movement										
OS	Overload range stop (+20% over pressure limit)									
VS	Underload range stop									
SM	Movement material in 316L (1.4404)									



All stainless steel process gauge Model T50 and T60

ORDERING CODE **EXAMPLE:** 100 T60 H D 15 L 6BR XC3

Options (If choosing an option(s) must include a "X")

Window/Pointers

- SG Laminated safety glass (standard)
- PD Acrylic glass
- MP Adjustable micrometer pointer
- EP Maximum pointer and polycarbonate window
- EQ Minimum pointer and polycarbonate window
- SH Red set hand stationary and polycarbonate window

Refrigerant

- R5 R717 Ammonia (NH3)

Cleaning

- 6B Cleaned for oxygen service
- 6W Cleaned for oxidizing processes
- YF Cleaned silicone free (not available for silicone filling)

Marking/Tagging

- NH Stainless steel tag, wired to case
- NH1 Extra large stainless steel tag, wired to case
- DA Dial marking (Text marking on the dial)

Testing/Certificates

- CD2 Material test report according to EN 10204 / 2.2
- C3 Material report according to EN 10204 / 3.1
- CD5 Certificate according to NACE for Oilfields MR0175 / ISO 15156 and Refineries MR0103 / ISO17945
- MQ Positive Material Identification (PMI)
- C4 Individual calibration chart
- C43 Individual calibration chart according to DIN EN 10204 / 3.1
- ML Mass spectrometer leak test
- N1 Hydrostatic testing for gauge system

X_

C3

STANDARD PRESSURE RANGE - GAUGE PRESSURE

Gauge Pressure				Vacuum & Compound	
bar	psi	kPa	bar	in. HG / psi	
Code					
BR	#	#	KP	BR	INHG
1	15	2000	100	-1/0	-30/0
1,6	30	3000	160	-1/1	-30/15
2,5	60	4000	250	-1/2	-30/30
4	100	5000	400	-1/3	-30/60
6	160	6000	600	-1/4	-30/100
10	200	7500	1000	-1/5	-30/160
16	300	10000	1600	-1/7	-30/200
25	400	25000	2500	-1/9	-30/300
40	500	4000		-1/11	
60	600	6000		-1/14	
100	800	10000		-1/15	
160	1000	16000		-1/20	
250	1500	25000		-1/24	
400		40000			
600		60000			

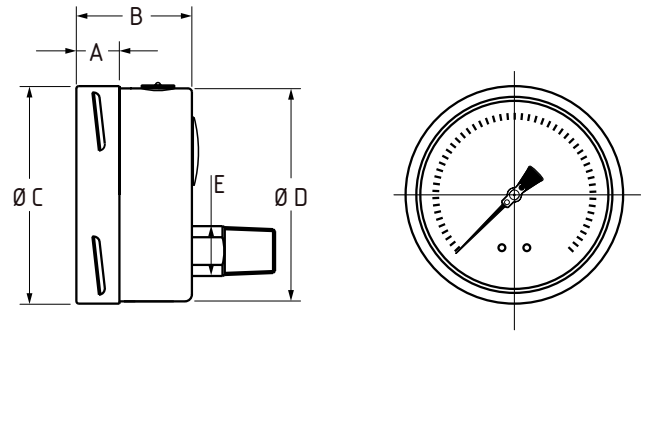
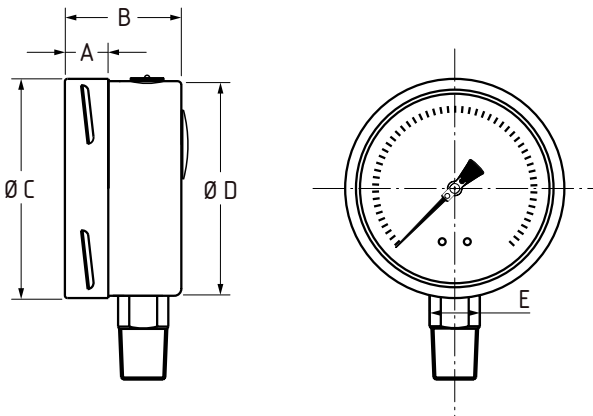


All stainless steel process gauge Model T50 and T60

DIMENSIONS IN MM [INCH]

For reference only, consult Ashcroft for specific dimensional drawings

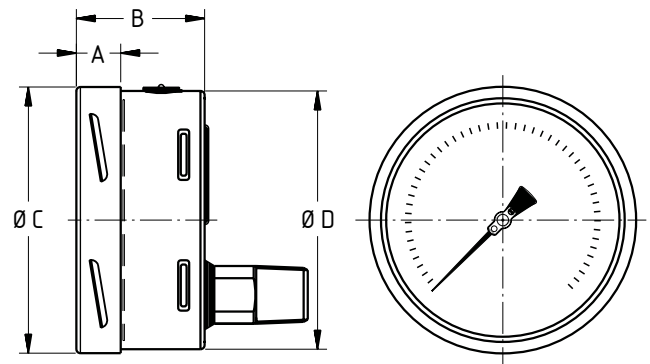
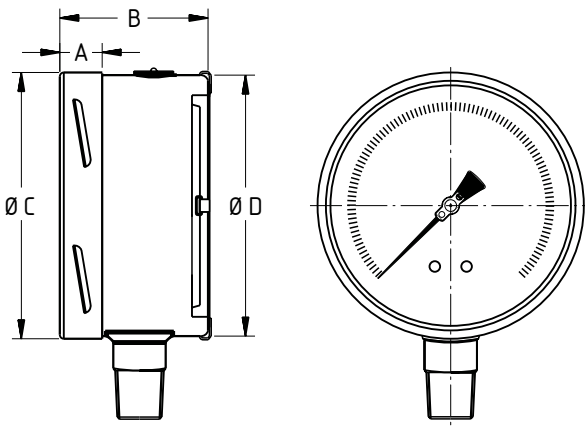
T50 - OPEN FRONT



DIAL SIZE	A	B	ØC	ØD	E	WEIGHT (KG)
100 mm	17 [0,67]	49 [1,93]	100,3 [3,95]	99,1 [3,9]	22,1 [0,87]	0,6
160 mm	17,3 [0,68]	50 [1,97]	161 [6,34]	157,5 [6,2]	22,1 [0,87]	1,2

DIAL SIZE	A	B	ØC	ØD	E	WEIGHT (KG)
100 mm	17 [0,67]	49 [1,93]	100,3 [3,95]	99,1 [3,9]	22,1 [0,87]	0,6
160 mm	17,3 [0,68]	50 [1,97]	161 [6,34]	157,5 [6,2]	22,1 [0,87]	1,2

T60 - SOLID FRONT



DIAL SIZE	A	B	ØC	ØD	E	WEIGHT (KG)
100 mm	15,2 [0,6]	55,9 [2,2]	101,6 [4]	99,1 [3,9]	22,1 [0,87]	0,7
160 mm	15,2 [0,6]	55,9 [2,2]	160 [6,3]	157,5 [6,2]	22,1 [0,87]	1,3

DIAL SIZE	A	B	ØC	ØD	E	WEIGHT (KG)
100 mm	15,2 [0,6]	50,8 [2]	101,6 [4]	99,1 [3,9]	22,1 [0,87]	0,7

