

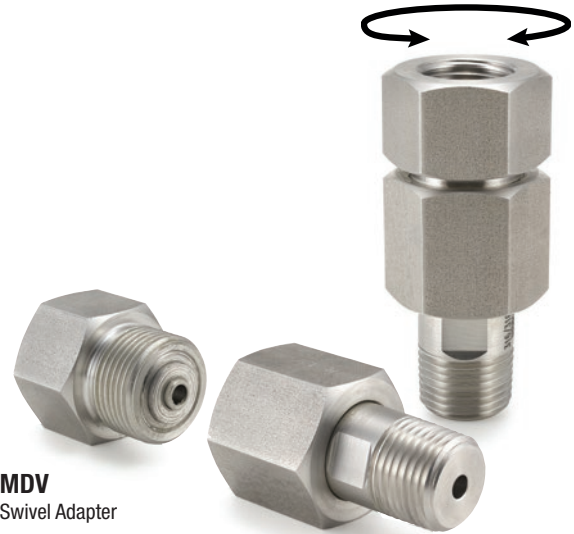
MDV Swivel Adapter

FEATURES

- Stainless steel 316L/1.4404 or special alloy construction
- Suitable for pressures up to 10.000 psi / 689 bar

TYPICAL USES

- Oil & Gas Industry
 - Upstream: Onshore/offshore production
 - Midstream: Transport, storage and natural gas compression
 - Downstream: Refineries and petrochemical industries
- Chemical Industry
- Power Plants
 - Conventional power plants
 - Flue gas desulfurization plants
- Other Industries
 - Waste incineration plants
 - Seawater desalination plants
 - Steel mills
 - Cement plants



MDV
Swivel Adapter

SPECIFICATIONS

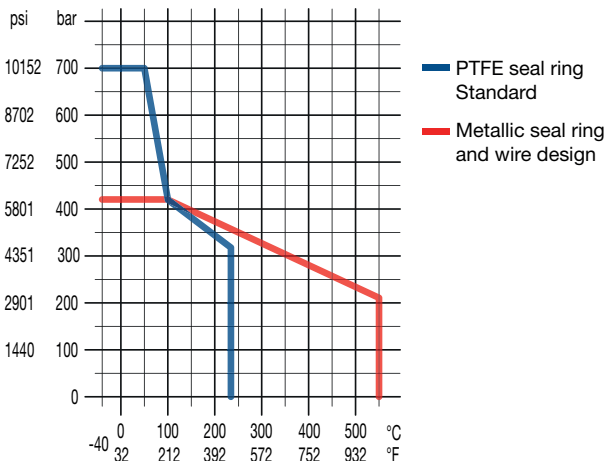
Process Connection:	1/2 NPT Male G 1/2 B Male
Instrument Connection:	1/2 NPT Male; 1/2 NPT Female 1/4 NPT Female G 1/2 Female swivel
Max. Allowable Working Pressure (MAWP):	689 bar (10.000 psi) more details, check chart below

WETTED COMPONENTS

Part	Material
Body	Stainless steel 316L (1.4404) Hastelloy [®] C-276 (2.4819) Inconel [®] 625 (2.4856) Monel [®] 400 (2.4360) Duplex 2205 (1.4462)
Sealing	Style A: PTFE Style B: Same as body material Style C: Stainless steel 316 (non wetted part)

KEY BENEFITS

- Allows for 360° rotation of instrument
- Easy installation and positioning of instruments
- Supplied with wetted parts according to NACE MR0175/MR0103 (CD-5 Certificate)
- Material traceability reports available per EN 10204 3.1

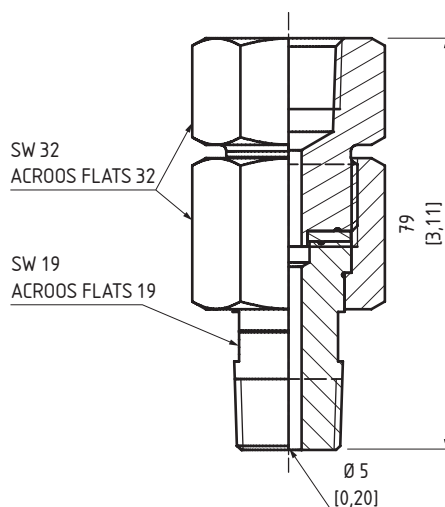
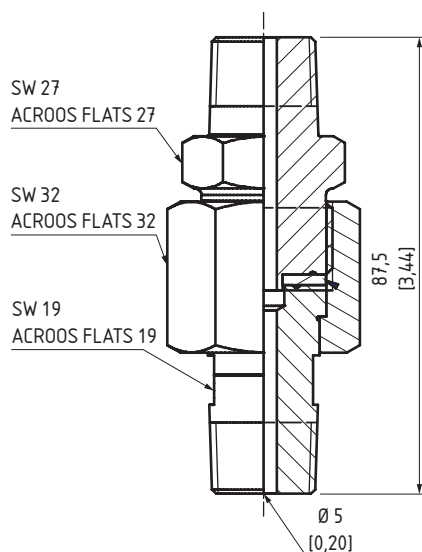


MDV Swivel Adapter

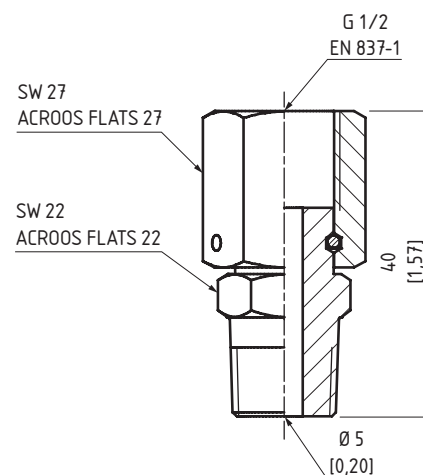
ORDERING CODE		EXAMPLE:	04	MDV	A	SS	50	C3
Process Connection								
04	1/2 NPT Male		04					
15	G 1/2 B Male							
Model								
MDV	Swivel adapter			MDV				
Style								
A	Screwed design with PTFE sealing (max. 10000 psi / 689 bar)				A			
B	Screwed design with metallic sealing (same material as wetted material) (max. 10000 psi / 689 bar)							
C	Wire design (max. 6000 psi / 420 bar)							
Wetted Components Material								
HH	Hastelloy® C-276 (2.4819)							
MW	Inconel® 625 (2.4856)							
PM	Monel® 400 (2.4360)							
SS	Stainless steel 316L (1.4404)					SS		
ZZ	Duplex 2205 (1.4462)							
Instrument Connection								
04	1/2 NPT Male							
25	1/4 NPT Female							
50	1/2 NPT Female						50	
81	G 1/2 Female							
Options (If choosing an option(s) must include a "X")								
Cleaning								
6B	Cleaned for oxygen service							
Marking/Tagging								
NH	Stainless steel tag, wired to body							
Testing/Certificates								
CD2	Material test report according to EN 10204 / 2.2							
C3	Material certificate according to EN 10204 / 3.1							C3
CD5	Certificate according to NACE for Oilfields MR0175 / ISO 15156 and Refineries MR0103 / ISO17945							
MQ	Positive Material Identification (PMI)							

DIMENSIONS IN MM [INCH]

For reference only, consult Ashcroft for specific dimensional drawings



Style A and B



Style C

