

Data Sheet

All Welded Flanged Diaphragm Seal Model DF Series

with flange according to EN 1092-1 or ASME B16.5 or API 6A

FEATURES

- All-welded compact design with high volumetric displacement and minimized fill volume
- High variety of wetted parts materials and special materials
- Suitable for pressure gauges, switches and transmitters
- Flush mounted diaphragm seal prevents clogging
- Engineered to minimize the use of expensive wetted materials
- Continuous-duty construction
- Available with a wide range of wetted materials

TYPICAL USES


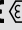
- Oil and gas
- Refineries (Hydrofluoric / Sulfuric Alkylation)
- Chemical and petrochemical
- Water and wastewater
- Oil and gas fracking
- NACE Compliant processes (sour gas separation)
- Biogas and biodiesel



SEAL DF



SPECIFICATIONS

Connection Style:	Flanged
Process Connection Size:	Flange according to EN 1092-1 DN25, DN40, DN50, DN80, DN100, DN125 Flange according to ASME B16.5 1", 1-1/2", 2", 3", 4" Flange according to API 6A 2-1/16", 2-9/16", 3-1/8", 1-13/16", 2-1/16", 2-9/16", 3-1/16" others of request
Flange Style:	EN 1092-1 Raised face B; others on request ASME B16.5 Flat face, Raised face, Ring joint API 6A Type 6B or Type 6BX
Instrument Connection Size:	G 1/4 or G 1/2 Female 1/4 NPT or 1/2 NPT Female Welding port (8 mm) for capillary line system others available on request
Flange Rating:	EN 1092-1 PN2,5 up to PN100 ASME B16.5 CL150 up to CL2500 API 6A 2000, 3000, 5000, 10000, 15000 or 20000 psi
Added Tolerance:	± 0,5% typical
Fill Fluid:	Silicone, Halocarbon®, Syltherm® others available on request
Approvals:	ATEX   II 2GD c II Tx NACE for Oilfields MR0175/ISO 15156 and Refineries MR0103/ISO17945

KEY BENEFITS

- Compact design eliminates need for lower housing
- Protects process and instrumentation with materials to fit your application

WETTED COMPONENTS

Diaphragm Materials:	Stainless steel 316L (1.4404) Stainless steel 904L (1.4539/Uranus 6B) Hastelloy® C-276 (2.4819) Inconel® 825 (2.4858) Inconel® 625 (2.4856) Monel® 400 (2.4360) Tantalum Duplex 2205 (1.4462)
----------------------	--

Coatings:	Halar PFA PTFE (Teflon®) Gold plated
-----------	---

Flange Materials:	Hastelloy® C-276 (2.4819) Stainless steel 316L (1.4404) Duplex 2205 (1.4462)
-------------------	--

NON WETTED COMPONENTS

Instrument Connection:	Stainless steel 316L (1.4404)
------------------------	-------------------------------

All Welded Flanged Diaphragm Seal Model DF Series

ORDERING CODE		EXAMPLE:	DN50	DF_EN	S	S	51T	PN40	B1	CK	XC3
Connection Size											
EN 1092-1											
DN25	Flange size DN25										
DN40	Flange size DN40										
DN50	Flange size DN50		DN50								
DN80	Flange size DN80										
DN100	Flange size DN100										
DN125	Flange size DN125										
ASME B16.5											
10	Flange size 1"										
15	Flange size 1-1/2"										
20	Flange size 2"										
30	Flange size 3"										
40	Flange size 4"										
API 6A											
113	Flange size 1-13/16"										
201	Flange size 2-1/16"										
209	Flange size 2-9/16"										
301	Flange size 3-1/16"										
302	Flange size 3-1/8"										
Model											
DF_EN	All welded flush flanged diaphragm seal; EN-Style			DF_EN							
DF_ASME	All welded flush flanged diaphragm seal; ASME-Style										
DF_API	All welded flush flanged diaphragm seal; API-Style										
Diaphragm Material											
F	Stainless steel 904L (1.4539)										
H	Hastelloy® C-276 (2.4819)										
H-H	Hastelloy® C-276 (2.4819); Halar coated										
H-PA	Hastelloy® C-276 (2.4819); PFA coated										
H-TC	Hastelloy® C-276 (2.4819); PTFE (Teflon®) coated										
L	Inconel® 825 (2.4858)										
M	Inconel® 625 (2.4856)										
P	Monel® 400 (2.4360)										
S	Stainless steel 316L (1.4404)				S						
S-H	Stainless steel 316L (1.4404); Halar coated										
S-PA	Stainless steel 316L (1.4404); PFA coated										
S-TC	Stainless steel 316L (1.4404); PTFE (Teflon®) coated										
W	Stainless steel 316L (1.4404); Gold plating 24 µm [24 Karat (=99,99%)]										
U	Tantalum										
U-TC	Tantalum; PTFE (Teflon®) coated										
Z	Duplex 2205 (1.4462)										
Flange Material											
H	Hastelloy® C-276 (2.4819)										
S	Stainless steel 316L (1.4404)					S					
Z	Duplex 2205 (1.4462)										
Instrument Connection											
00T	Welding port for capillary line system (8 mm)										
00R	Welding port for capillary line system (8 mm); Radial on flange										
02T	1/4 NPT Female										
04T	1/2 NPT Female										
26T	G 1/4 Female										
51T	G 1/2 Female						51T				



All Welded Flanged Diaphragm Seal Model DF Series

ORDERING CODE **EXAMPLE:** DN50 DF_EN S S 51T PN40 B1 CK XC3

Flange Rating
EN 1092-1

PN10	Flange rating PN10
PN16	Flange rating PN16
PN25	Flange rating PN25
PN40	Flange rating PN40
PN63	Flange rating PN63
PN100	Flange rating PN100

ASME B16.5

150	Flange rating class 150
300	Flange rating class 300
600	Flange rating class 600
900	Flange rating class 900
1500	Flange rating class 1500
2500	Flange rating class 2500

API 6A

2000	Flange rating 2000 psi / 13,8 MPa
3000	Flange rating 3000 psi / 20,7 MPa
5000	Flange rating 5000 psi / 34,5 MPa
10000	Flange rating 10000 psi / 69,0 MPa
15000	Flange rating 15000 psi / 103,5 MPa
20000	Flange rating 20000 psi / 138,0 MPa

Flange Style
EN 1092-1

B1	Raised face Form B1
----	---------------------

ASME B16.5

FF	Flat Face
RF	Raised Face
RTJ	Ring Joint

API 6A

6B	Type 6B (≤ 5.000 psi flange rating)
6BX	Type 6BX (≥ 10.000 psi flange rating)

others on request

System Filling

			Max. Allowable Process Temperature:		Application:
CC	Syltherm® XLT		-100 to 260 °C	-150 to 500 °F	Low temperature
CF	Halocarbon® 4.2		-57 to 200 °C	-70 to 300 °F	Inert/Oxygen
CG	Glycerine	(1) (3)	-18 to 204 °C	0 to 400 °F	Food
CK	Silicone 50 cSt	(2)	-40 to 260 °C	-40 to 500 °F	General purpose
DJ	Silicone 10 cSt		-40 to 260 °C	-40 to 500 °F	Fast response time
FJ	Distilled water	(1)	4 to 85 °C	40 to 185 °F	Food & Beverage
GQ	White oil silicone free		-12 to 204 °C	10 to 400 °F	Food, Painting
HA	Syltherm® 800		-40 to 400 °C	-40 to 750 °F	High temperature
HO	Halocarbon® 6.3S		-57 to 200 °C	-70 to 300 °F	Inert/Oxygen
KG	Silicone 704		0 to 300 °C	32 to 572 °F	High temperature & vacuum
KJ	Silicone 705		20 to 215 °C	68 to 420 °F	High vacuum
NM	Neobee® M-20		-15 to 204 °C	5 to 400 °F	Food & Pharma

(1) Not available for compound or vacuum pressure applications

(2) Only suitable for capillary systems ≤ 3 m (10ft)

(3) Only suitable for direct mounted systems



All Welded Flanged Diaphragm Seal Model DF Series

ORDERING CODE **EXAMPLE:** DN50 DF_EN S S 51T PN40 B1 CK XC3
Options (If choosing an option(s) must include a "X")
Agency Approval

ATEX ATEX approval Ex II 2 GD c

Material Origin

WO Western Origin of all wetted parts

Cleaning

6B Cleaned for gaseous oxygen or other strong oxidizing agents

6W Cleaned for oxidizing processes other than oxygen

YF Cleaned silicone free (not available for silicone filling)

Tagging

NH Stainless steel tag, wired

Testing/Certificates

CD2 Material test report according to EN 10204 / 2.2

C3 Material report according to EN 10204 /3.1

CD5 Certificate according to NACE for Oilfields MR0175 / ISO 15156 and Refineries MR0103 / ISO 17945

MQ Positive Material Identification (PMI)

X_

C3

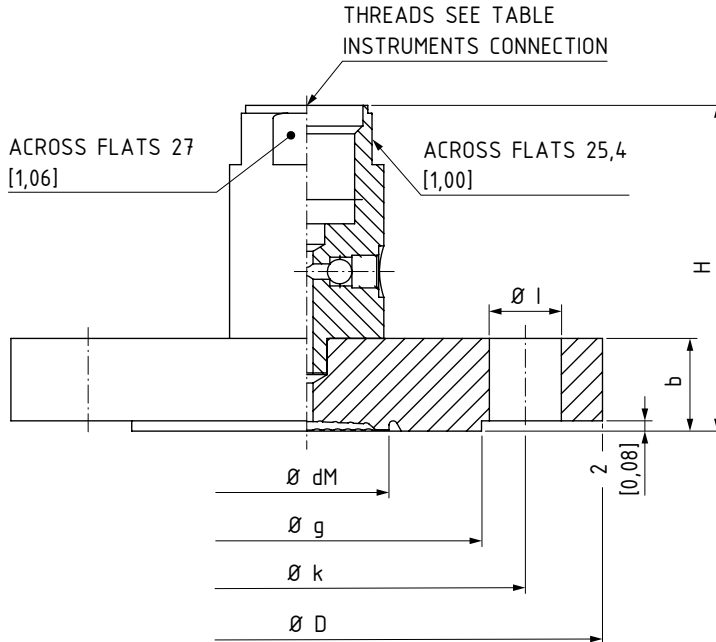


Flush type flanged diaphragm seal
Model DF EN

according to EN 1092-1

DIMENSIONS IN MM [INCH]

For reference only, consult Ashcroft for specific dimensional drawings



Size DN	PRESSURE RATING	$\varnothing D$	b	$\varnothing g$	$\varnothing dM$	$\varnothing k$	$\varnothing I$	H	WEIGHT KG
DN25	PN2,5 - PN6	100 [3,94]	14 [0,55]	60 [2,36]	32 [1,26]	75 [2,95]	11 x 4 [0,43]	58 [2,25]	1
	PN10 - PN40	115 [4,53]	18 [0,71]	68 [2,68]		85 [3,35]	14 x 4 [0,55]	62 [2,44]	1,5
	PN63 - PN100	140 [5,51]	24 [0,94]			100 [3,94]	18 x 4 [0,71]	68 [2,68]	3
DN40	PN2,5 - PN6	130 [5,12]	14 [0,55]	80 [3,15]	44 [1,73]	100 [3,94]	14 x 4 [0,55]	58 [2,28]	1,5
	PN10 - PN40	150 [5,91]	18 [0,71]	88 [3,46]		110 [4,33]	18 x 4 [0,71]	62 [2,44]	2,5
	PN63 - PN100	170 [6,69]	26 [1,02]			125 [4,92]	22 x 4 [0,87]	70 [2,76]	4
DN50	PN2,5 - PN6	140 [5,51]	14 [0,55]	90 [3,54]	57 [2,24]	110 [4,33]	14 x 4 [0,55]	58 [2,28]	2
	PN10 - PN16	165 [6,5]	18 [0,71]	102 [4,02]		125 [4,92]	18 x 4 [0,71]	62 [2,44]	3
	PN25 - PN40		20 [0,79]				64 [2,52]	3,5	
	PN63	180 [7,09]	26 [1,02]			135 [5,31]	22 x 4 [0,87]	70 [2,76]	5
	PN100	195 [7,68]	28 [1,1]			145 [5,71]	26 x 4 [1,02]	72 [2,83]	6
DN80	PN2,5 - PN6	190 [7,48]	16 [0,63]	128 [5,04]	88 [3,46]	150 [5,91]	18 x 4 [0,71]	60 [2,36]	3,5
	PN10 - PN16	200 [7,87]	20 [0,79]	138 [5,43]		160 [6,3]	18 x 8 [0,71]	64 [2,52]	5
	PN25 - PN40		24 [0,94]				68 [2,68]	6	
	PN63	215 [8,46]	28 [1,1]			170 [6,69]	22 x 8 [0,87]	72 [2,83]	7
	PN100	230 [9,06]	32 [1,26]			180 [7,09]	26 x 8 [1,02]	76 [2,99]	9
DN100	PN2,5 - PN6	210 [8,27]	16 [0,63]	148 [5,83]	88 [3,46]	170 [6,69]	18 x 4 [0,71]	60 [2,36]	4,5
	PN10 - PN16	220 [8,66]	20 [0,79]	158 [6,22]		180 [7,09]	18 x 8 [0,71]	64 [2,52]	6
	PN25 - PN40	235 [9,25]	24 [0,94]	162 [6,38]		190 [7,48]	22 x 8 [0,87]	68 [2,68]	8
	PN63	250 [9,84]	30 [1,18]	162 [6,38]		200 [7,87]	26 x 8 [1,02]	74 [2,91]	10,5
	PN100	265 [10,43]	36 [1,42]				210 [8,27]	30 x 8 [1,18]	80 [3,15]
DN125	PN2,5 - PN6	240 [9,45]	18 [0,71]	178 [7,01]	188 [7,4]	200 [7,87]	18 x 8 [0,71]	62 [2,44]	6,5
	PN10 - PN16	250 [9,84]	22 [0,87]			210 [8,27]		66 [2,6]	8,5
	PN25 - PN40	270 [10,63]	26 [1,02]			220 [8,66]	26 x 8 [1,02]	70 [2,76]	11
	PN63	295 [11,61]	34 [1,34]			240 [9,45]	30 x 8 [1,18]	78 [3,07]	16
	PN100	315 [12,4]	40 [1,57]			250 [9,84]	33 x 8 [1,3]	84 [3,31]	21,5



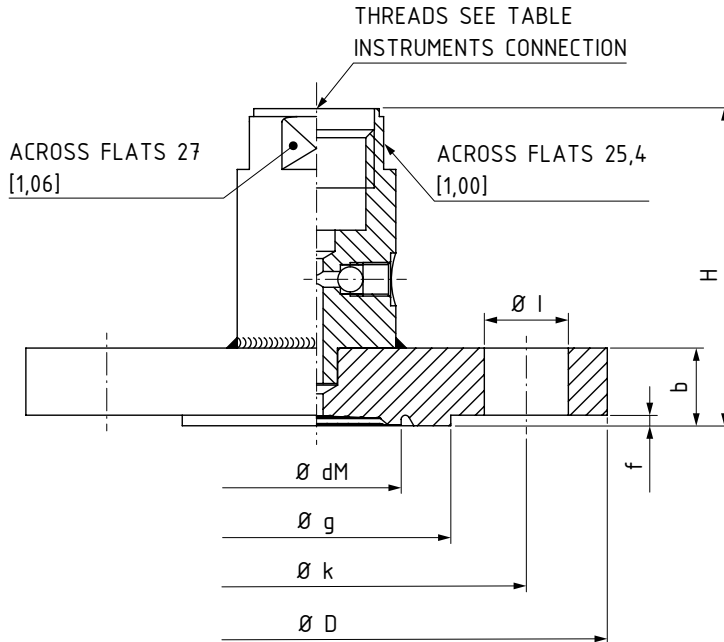
Flush type flanged diaphragm seal

Model DF ASME Type Raised face "RF"

according to ASME B16.5

DIMENSIONS IN MM [INCH]

For reference only, consult Ashcroft for specific dimensional drawings



Size DN	PRESSURE CLASSES	$\varnothing D$	b	$\varnothing g$	$\varnothing dM$	f	$\varnothing k$	$\varnothing I$	H	WEIGHT KG
1"	150	110 [4,33]	12,7 [0,5]	50,8 [2]	32 [1,26]	2 [0,08]	79,4 [3,13]	15,9 x 4 [0,63]	58,2 [2,29]	1
	300	125 [4,92]	15,9 [0,63]				88,9 [3,5]	19,1 x 4 [0,75]	61,4 [2,42]	1,5
	400/600	150 [5,91]	17,5 [0,69]			101,6 [4]	25,4 x 4 [1]	68 [2,68]	2	
	900/1500	160 [6,3]	28,6 [1,13]			108 [4,25]	79,1 [3,11]	4		
	2500	150 [5,91]	35 [1,38]			108 [4,25]	85,5 [3,37]	5		
1 1/2"	150	125 [4,92]	15,9 [0,63]	73 [2,87]	44 [1,73]	2 [0,08]	98,4 [3,87]	15,9 x 4 [0,63]	61,4 [2,42]	2
	300	155 [6,1]	19,1 [0,75]				114,3 [4,5]	22,2 x 4 [0,87]	64,6 [2,54]	3
	400/600	180 [7,09]	22,3 [0,88]			123,8 [4,87]	28,6 x 4 [1,13]	72,8 [2,87]	3,5	
	900/1500	205 [8,07]	31,8 [1,25]			146 [5,75]	31,8 x 4 [1,25]	95 [3,74]	6	
	2500	205 [8,07]	44,5 [1,75]			171,4 [6,75]	28,6 x 8 [1,13]	101,4 [3,99]	16	
2"	150	150 [5,91]	17,5 [0,69]	92,1 [3,63]	57 [2,24]	2 [0,08]	120,7 [4,75]	19,1 x 4 [0,75]	63 [2,48]	2,5
	300	165 [6,5]	20,7 [0,81]				127 [5]	19,1 x 8 [0,75]	66,5 [2,62]	3,5
	400/600	215 [8,46]	25,4 [1]			165,1 [6,5]	25,4 x 8 [1]	75,9 [2,99]	4,5	
	900/1500	235 [9,25]	38,1 [1,5]			171,4 [6,75]	28,6 x 8 [1,13]	101,4 [3,99]	16	
	2500	235 [9,25]	50,9 [2]			171,4 [6,75]	28,6 x 8 [1,13]	101,4 [3,99]	16	
3"	150	190 [7,48]	22,3 [0,88]	127 [5]	88 [3,46]	2 [0,08]	152,4 [6]	19,1 x 4 [0,75]	67,8 [2,67]	5,5
	300	210 [8,27]	27 [1,06]				168,3 [6,63]	22,2 x 8 [0,87]	72,5 [2,85]	7
	400/600	240 [9,45]	31,8 [1,25]			190,5 [7,5]	25,4 x 8 [1]	82,5 [3,25]	9	
	900	265 [10,43]	38,1 [1,5]			203,2 [8]	31,8 x 8 [1,25]	98,5 [3,88]	19,5	
	1500	305 [12,01]	47,7 [1,88]			228,6 [9]	34,9 x 8 [1,37]	117,2 [4,61]	35	
	2500	305 [12,01]	66,7 [2,63]			228,6 [9]	34,9 x 8 [1,37]	117,2 [4,61]	35	
4"	150	230 [9,06]	22,3 [0,88]	157,2 [6,19]	88 [3,46]	2 [0,08]	190,5 [7,5]	19,1 x 8 [0,75]	67,8 [2,67]	7,5
	300	255 [10,04]	30,2 [1,19]				200 [7,87]	22,2 x 8 [0,87]	75,7 [2,98]	12
	400	275 [10,83]	35 [1,38]			215,9 [8,5]	25,4 x 8 [1]	85,5 [3,37]	14	
	600	290 [11,42]	38,1 [1,5]			235 [9,25]	31,8 x 8 [1,25]	95 [3,74]	27,5	
	900	310 [12,2]	44,5 [1,75]			241,3 [9,5]	34,9 x 8 [1,37]	104,5 [4,11]	30	
	1500	310 [12,2]	54 [2,13]			273 [10,75]	41,3 x 8 [1,63]	126,7 [4,99]	54	
	2500	355 [13,98]	76,2 [3]			273 [10,75]	41,3 x 8 [1,63]	126,7 [4,99]	54	



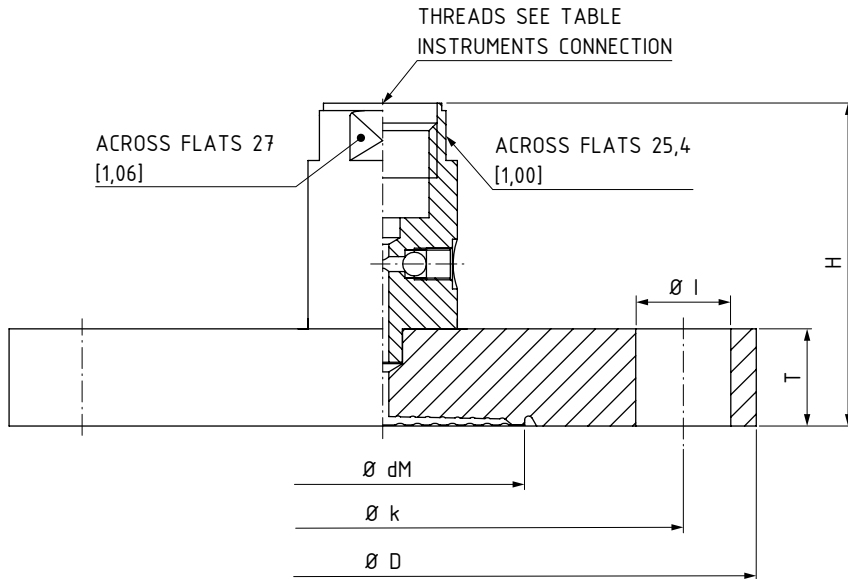
Flush type flanged diaphragm seal

Model DF ASME Type Flat face "FF"

according to ASME B16.5

DIMENSIONS IN MM [INCH]

For reference only, consult Ashcroft for specific dimensional drawings



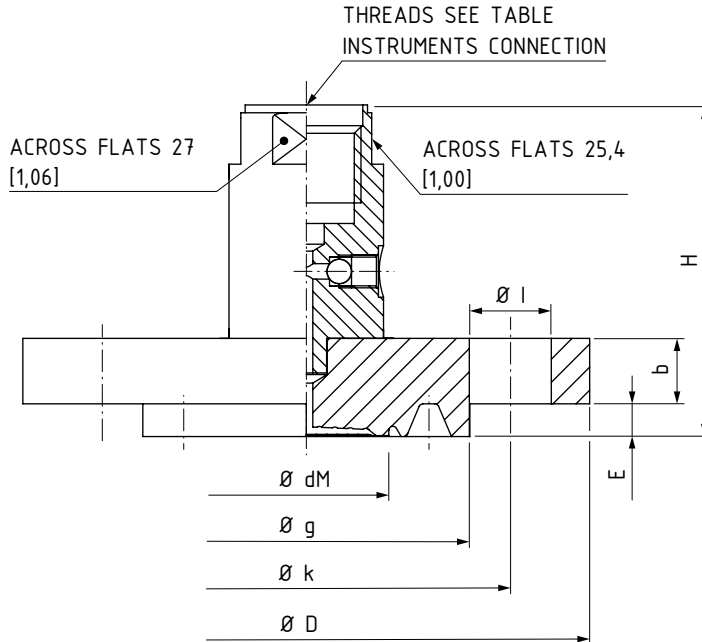
Size DN	PRESSURE CLASSES	$\varnothing D$	b	$\varnothing dM$	$\varnothing k$	$\varnothing l$	H	WEIGHT KG	
1"	150	110 [4,33]	14,7 [0,58]	32 [1,26]	79,4 [3,13]	15,9 x 4 [0,63]	58,2 [2,29]	1,2	
	300	125 [4,92]	17,9 [0,71]		88,9 [3,5]	19,1 x 4 [0,75]	61,4 [2,42]	1,8	
	400/600		24,5 [0,97]		25,4 x 4 [1]		68 [2,68]	2,4	
	900/1500	150 [5,91]	35,6 [1,4]			101,6 [4]	79,1 [3,11]	4,7	
	2500	160 [6,3]	42 [1,65]			108 [4,25]	85,5 [3,37]	7,0	
1 1/2"	150	125 [4,92]	17,9 [0,71]	44 [1,73]	98,4 [3,87]	15,9 x 4 [0,63]	61,4 [2,42]	1,8	
	300	155 [6,1]	21,1 [0,83]		114,3 [4,5]	22,2 x 4 [0,87]	64,6 [2,54]	3,1	
	400/600		29,3 [1,15]		28,6 x 4 [1,13]		72,8 [2,87]	4,3	
	900/1500	180 [7,09]	38,8 [1,53]			123,8 [4,87]	82,3 [3,24]	7,3	
	2500	205 [8,07]	51,5 [2,03]			146 [5,75]	95 [3,74]	12,5	
2"	150	150 [5,91]	19,5 [0,77]	57 [2,24]	120,7 [4,75]	19,1 x 4 [0,75]	63 [2,48]	2,8	
	300	165 [6,5]	22,7 [0,89]		127 [5]	19,1 x 8 [0,75]	66,5 [2,62]	3,7	
	400/600		32,4 [1,28]				75,9 [2,99]	5,1	
	900/1500	215 [8,46]	45,1 [1,78]		165,1 [6,5]	25,4 x 8 [1]	88,6 [3,49]	11,8	
	2500	235 [9,25]	57,9 [2,28]		171,4 [6,75]	28,6 x 8 [1,13]	101,4 [3,99]	17,9	
3"	150	190 [7,48]	24,3 [0,96]	88 [3,46]	152,4 [6]	19,1 x 4 [0,75]	67,8 [2,67]	5,5	
	300	210 [8,27]	29 [1,14]		168,3 [6,63]	22,2 x 8 [0,87]	72,5 [2,85]	7,5	
	400/600		38,8 [1,53]				82,5 [3,25]	10,0	
	900	240 [9,45]	45,1 [1,78]		190,5 [7,5]	25,4 x 8 [1]	88,6 [3,49]	15,1	
	1500	265 [10,43]	54,7 [2,15]		203,2 [8]	31,8 x 8 [1,25]	98,5 [3,88]	21,6	
	2500	305 [12,01]	73,7 [2,9]		228,6 [9]	34,9 x 8 [1,37]	117,2 [4,61]	38,8	
4"	150	230 [9,06]	24,3 [0,96]	88 [3,46]	190,5 [7,5]	19,1 x 8 [0,75]	67,8 [2,67]	7,8	
	300	255 [10,04]	32,2 [1,27]		200 [7,87]	22,2 x 8 [0,87]	75,7 [2,98]	12,6	
	400		42 [1,65]				25,4 x 8 [1]	85,5 [3,37]	16,3
	600	275 [10,83]	45,1 [1,78]		215,9 [8,5]	31,8 x 8 [1,25]		88,6 [3,49]	21,6
	900	290 [11,42]	51,5 [2,03]		235 [9,25]	34,9 x 8 [1,37]		95 [3,74]	24,8
	1500	310 [12,2]	61 [2,4]		241,3 [9,5]	34,9 x 8 [1,37]	104,5 [4,11]	33,3	
	2500	355 [13,98]	83,2 [3,28]		273 [10,75]	41,3 x 8 [1,63]	126,7 [4,99]	58,9	



Flush type flanged diaphragm seal Model DF ASME Ring type joint "RTJ" according to ASME B16.5

DIMENSIONS IN MM [INCH]

For reference only, consult Ashcroft for specific dimensional drawings



SIZE DN	PRESSURE CLASSES	$\varnothing D$	b	$\varnothing g$	$\varnothing dM$	E	$\varnothing k$	$\varnothing I$	H	GROOVE NUMBER	WEIGHT KG	
1"	150	110 [4,33]	12,7 [0,5]	63,5 [2,5]	32 [1,26]	6,4 [0,25]	79,4 [3,13]	15,9 x 4 [0,63]	62,9 [2,48]	15	1,0	
	300	125 [4,92]	15,9 [0,63]	70 [2,76]		6,4 [0,25]	88,9 [3,5]	19,1 x 4 [0,75]	66,1 [2,6]	16	1,6	
	400/600	125 [4,92]	17,5 [0,69]	70 [2,76]		6,4 [0,25]	88,9 [3,5]	19,1 x 4 [0,75]	67,7 [2,67]		1,7	
	900/1500	150 [5,91]	28,6 [1,13]	71,5 [2,81]		6,4 [0,25]	101,6 [4]	25,4 x 4 [1]	78,8 [3,1]		3,7	
	2500	160 [6,3]	35 [1,38]	82,5 [3,25]		6,4 [0,25]	108 [4,25]	25,4 x 4 [1]	85,2 [3,35]		18	5,2
1 1/2"	150	125 [4,92]	15,9 [0,63]	82,5 [3,25]	44 [1,73]	6,4 [0,25]	98,4 [3,87]	15,9 x 4 [0,63]	66,1 [2,6]	19	1,6	
	300	155 [6,1]	19,1 [0,75]	90,5 [3,56]		6,4 [0,25]	114,3 [4,5]	22,2 x 4 [0,87]	69,3 [2,73]		20	2,8
	400/600	155 [6,1]	22,3 [0,88]	90,5 [3,56]		6,4 [0,25]	114,3 [4,5]	22,2 x 4 [0,87]	72,5 [2,85]	3,2		
	900/1500	180 [7,09]	31,8 [1,25]	92 [3,62]		6,4 [0,25]	123,8 [4,87]	28,6 x 4 [1,13]	82 [3,23]	6,0		
	2500	205 [8,07]	44,5 [1,75]	114 [4,49]		7,9 [0,31]	146 [5,75]	31,8 x 4 [1,25]	96,2 [3,79]	23	10,7	
2"	150	150 [5,91]	17,5 [0,69]	102 [4,02]	57 [2,24]	6,4 [0,25]	120,7 [4,75]	19,1 x 4 [0,75]	67,7 [2,67]	22	2,4	
	300	165 [6,5]	20,7 [0,81]	108 [4,25]		7,9 [0,31]	127 [5]	19,1 x 8 [0,75]	72,4 [2,85]		23	3,2
	400/600	165 [6,5]	25,4 [1]	108 [4,25]		7,9 [0,31]	127 [5]	19,1 x 8 [0,75]	77,1 [3,04]	3,9		
	900/1500	215 [8,46]	38,1 [1,5]	124 [4,88]		7,9 [0,31]	165,1 [6,5]	25,4 x 8 [1]	89,8 [3,54]	24		9,9
	2500	235 [9,25]	50,9 [2]	133 [5,24]		7,9 [0,31]	171,4 [6,75]	28,6 x 8 [1,13]	102,6 [4,04]	26	15,6	
3"	150	190 [7,48]	22,3 [0,88]	133 [5,24]	88 [3,46]	6,4 [0,25]	152,4 [6]	19,1 x 4 [0,75]	72,5 [2,85]	29	4,9	
	300	210 [8,27]	27 [1,06]	146 [5,75]		7,9 [0,31]	168,3 [6,63]	22,2 x 8 [0,87]	78,7 [3,1]		31	6,8
	400/600	210 [8,27]	31,8 [1,25]	146 [5,75]		7,9 [0,31]	168,3 [6,63]	22,2 x 8 [0,87]	83,5 [3,29]	8,0		
	900	240 [9,45]	38,1 [1,5]	156 [6,14]		7,9 [0,31]	190,5 [7,5]	25,4 x 8 [1]	89,8 [3,54]	12,5		
	1500	265 [10,43]	47,7 [1,88]	168 [6,61]		7,9 [0,31]	203,2 [8]	31,8 x 8 [1,25]	99,4 [3,91]	35		18,6
	2500	305 [12,01]	66,7 [2,63]	168 [6,61]		9,5 [0,37]	228,6 [9]	34,9 x 8 [1,37]	120 [4,72]	32	34,8	
4"	150	230 [9,06]	22,3 [0,88]	171 [6,73]	88 [3,46]	6,4 [0,25]	190,5 [7,5]	19,1 x 8 [0,75]	72,5 [2,85]	36	7,1	
	300	255 [10,04]	30,2 [1,19]	175 [6,89]		7,9 [0,31]	200 [7,87]	22,2 x 8 [0,87]	81,9 [3,22]		37	11,5
	400	255 [10,04]	35 [1,38]	175 [6,89]		7,9 [0,31]	200 [7,87]	25,4 x 8 [1]	86,7 [3,41]	13,1		
	600	275 [10,83]	38,1 [1,5]	175 [6,89]		7,9 [0,31]	215,9 [8,5]	25,4 x 8 [1]	89,8 [3,54]	16,8		
	900	290 [11,42]	44,5 [1,75]	181 [7,13]		7,9 [0,31]	235 [9,25]	31,8 x 8 [1,25]	96,2 [3,79]	21,2		
	1500	310 [12,2]	54 [2,13]	194 [7,64]		7,9 [0,31]	241,3 [9,5]	34,9 x 8 [1,37]	105,7 [4,16]	39		29,2
	2500	355 [13,98]	76,2 [3]	203 [7,99]		11,1 [0,44]	273 [10,75]	41,3 x 8 [1,63]	131,1 [5,16]	38		53,5



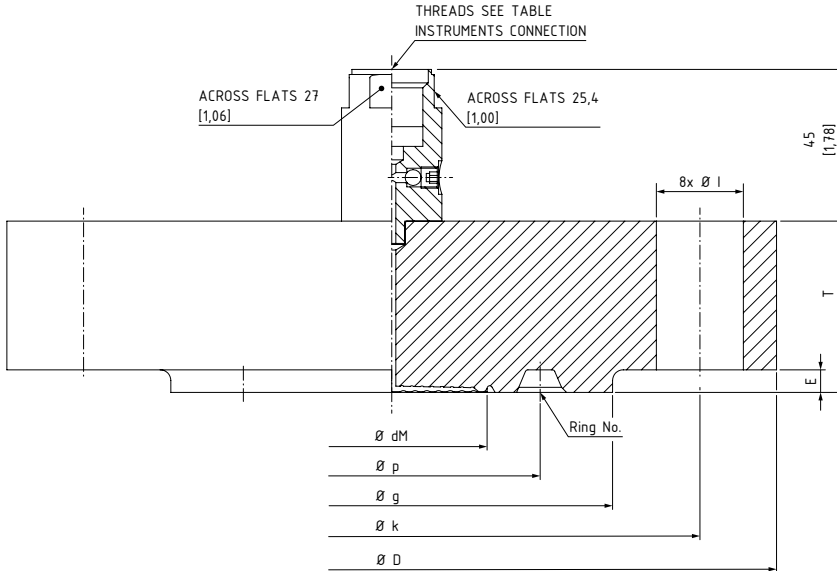
Flush type flanged diaphragm seal

Model DF API

according to API 6A

DIMENSIONS IN MM [INCH]

For reference only, consult Ashcroft for specific dimensional drawings



Size	Rating	Ø D	T	Ø g	E	Ø k	Ø l	Ø dM	Ø p	Ring No. R or RX	WEIGHT KG	
6B	2-1/16"	13,8 MPa (2000 psi)	165 [6,5]	33,4 [1,31]	108 [4,25]	7,9 [0,31]	127 [5]	20 [0,79]	44 [1,73]	23	5,8	
		20,7 MPa (3000 psi)	215 [8,46]	46,1 [1,81]	124 [4,88]		165,1 [6,5]	26 [1,02]		24	12,8	
		34,5 MPa (5000 psi)										
	2-9/16"	13,8 MPa (2000 psi)	190 [7,48]	36,6 [1,44]	127 [5]			149,2 [5,87]	23 [0,91]	57 [2,24]	26	8,3
		20,7 MPa (3000 psi)	245 [9,65]	49,3 [1,94]	137 [5,39]		190,5 [7,5]	29 [1,14]	27		17,6	
		34,5 MPa (5000 psi)										
	3-1/8"	13,8 MPa (2000 psi)	210 [8,27]	39,7 [1,56]	146 [5,75]			168,3 [6,63]	23 [0,91]	57 [2,24]	31	11,2
		20,7 MPa (3000 psi)	240 [9,45]	46,1 [1,81]	156 [6,14]		190,5 [7,5]	26 [1,02]	31		16,5	
		34,5 MPa (5000 psi)	265 [10,43]	55,6 [2,19]	168 [6,61]		203,2 [8]	32 [1,26]	35		23,3	
6BX	1-13/16"	69,0 MPa (10000 psi)	185 [7,28]	42,1 [1,66]	105 [4,13]	5,5 [0,22]	146,1 [5,75]	23 [0,91]	44 [1,73]	23	8,5	
		103,5 MPa (15000 psi)	210 [8,27]	45,3 [1,78]	106 [4,17]		160,3 [6,31]	26 [1,02]		24	11,6	
		138,0 MPa (20000 psi)	255 [10,04]	63,5 [2,5]	117 [4,61]		203,2 [8]	29 [1,14]		25	23,9	
	2-1/16"	69,0 MPa (10000 psi)	200 [7,87]	44,1 [1,74]	111 [4,37]	5,9 [0,23]	158,8 [6,25]	23 [0,91]	44 [1,73]	26	10,6	
		103,5 MPa (15000 psi)	220 [8,66]	50,8 [2]	114 [4,49]		174,6 [6,87]	26 [1,02]		27	14,4	
		138,0 MPa (20000 psi)	285 [11,22]	71,5 [2,81]	132 [5,2]		230,2 [9,06]	32 [1,26]		28	33,7	
	2-9/16"	69,0 MPa (10000 psi)	230 [9,06]	51,2 [2,02]	132 [5,2]	6,7 [0,26]	184,2 [7,25]	26 [1,02]	57 [2,24]	29	16,2	
		103,5 MPa (15000 psi)	255 [10,04]	57,2 [2,25]	133 [5,24]		200 [7,87]	29 [1,14]		30	21,9	
		138,0 MPa (20000 psi)	325 [12,8]	79,4 [3,13]	151 [5,94]		261,9 [10,31]	35 [1,38]		31	49	
	3-1/16"	69,0 MPa (10000 psi)	270 [10,63]	58,4 [2,3]	152 [5,98]	7,5 [0,3]	215,9 [8,5]	29 [1,14]	57 [2,24]	32	25,6	
		103,5 MPa (15000 psi)	290 [11,42]	64,3 [2,53]	154 [6,06]		230,2 [9,06]	32 [1,26]		33	32	
		138,0 MPa (20000 psi)	355 [13,98]	85,8 [3,38]	171 [6,73]		287,3 [11,31]	39 [1,54]		34	63	

