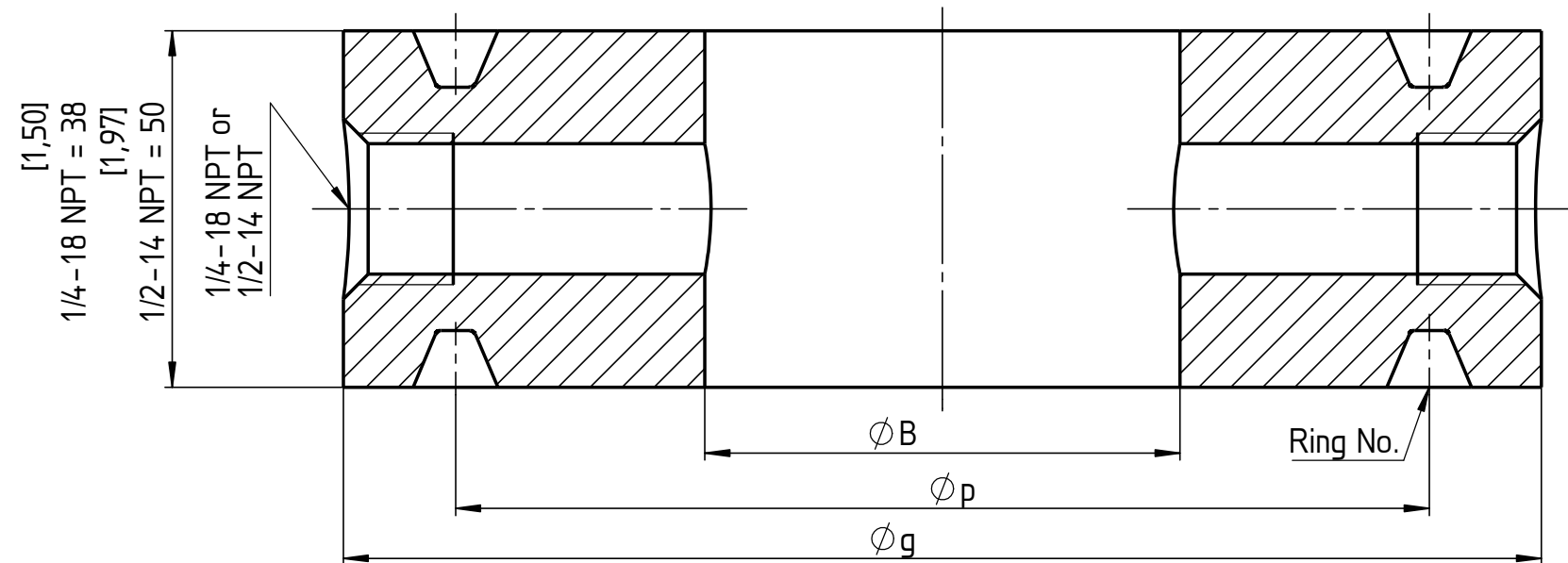
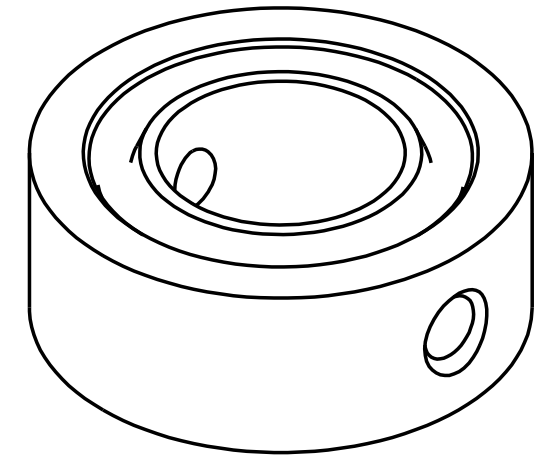


Type - 6B					
Size	Rating	Ø B	Ø g	Ø p	Ring No. R or RX
2 1/16"	13,8 MPa (2000 psi)	[2,10] 53,3	[4,25] 108	[3,25] 82,6	23
	20,7 MPa (3000 psi)	[1,97] 50,0	[4,88] 124	[3,75] 95,3	24
	34,5 MPa (5000 psi)	[1,72] 43,7			
2 9/16"	13,8 MPa (2000 psi)	[2,50] 63,5	[5,00] 127	[4,00] 101,6	26
	20,7 MPa (3000 psi)	[2,35] 59,7	[5,39] 137	[4,25] 108,0	27
	34,5 MPa (5000 psi)	[2,16] 54,9			
3 1/8"	13,8 MPa (2000 psi)	[3,10] 78,7	[5,75] 146	[4,87] 123,8	31
	20,7 MPa (3000 psi)	[2,93] 74,4	[6,14] 156		
	34,5 MPa (5000 psi)	[2,66] 67,5	[6,61] 168	[5,37] 136,5	35

Type - 6BX					
Size	Rating	Ø B	Ø g	Ø p	Ring No. BX
1 13/16"	69,0 MPa (10000 psi)	[1,84] 46,8	[4,13] 105	[2,59] 65,9	151
	103,5 MPa (15000 psi)		[4,17] 106		
	138,0 MPa (20000 psi)		[4,61] 117		
2 1/16"	69,0 MPa (10000 psi)	[2,09] 53,2	[4,37] 111	[2,90] 73,6	152
	103,5 MPa (15000 psi)		[4,49] 114		
	138,0 MPa (20000 psi)		[5,20] 132		
2 9/16"	69,0 MPa (10000 psi)	[2,59] 65,9	[5,20] 132	[3,49] 88,7	153
	103,5 MPa (15000 psi)		[5,24] 133		
	138,0 MPa (20000 psi)		[5,94] 151		
3 1/16"	69,0 MPa (10000 psi)	[3,09] 78,6	[5,98] 152	[4,08] 103,6	154
	103,5 MPa (15000 psi)		[6,06] 154		
	138,0 MPa (20000 psi)		[6,73] 171		



All specifications are subject to change without notice.

This drawing includes confidential information which is the property of ASHCROFT INC. This copy is loaned for a specific purpose, with the understanding that it will not be reproduced or used for any other purpose or disclosed to others, and it will be returned on demand.				Dimensions in mm [inch]		
				General Dimension		
				Flushing ring		
				API 6A-Type-6B / 6BX		
				DWG. NO.		
				B 076   3-FR-API		
Rev.	Description	Date	Na.			
				Date	Name	
				Drawn	17.12.15	J. Krott
				Checked	02.02.16	<i>[Signature]</i>