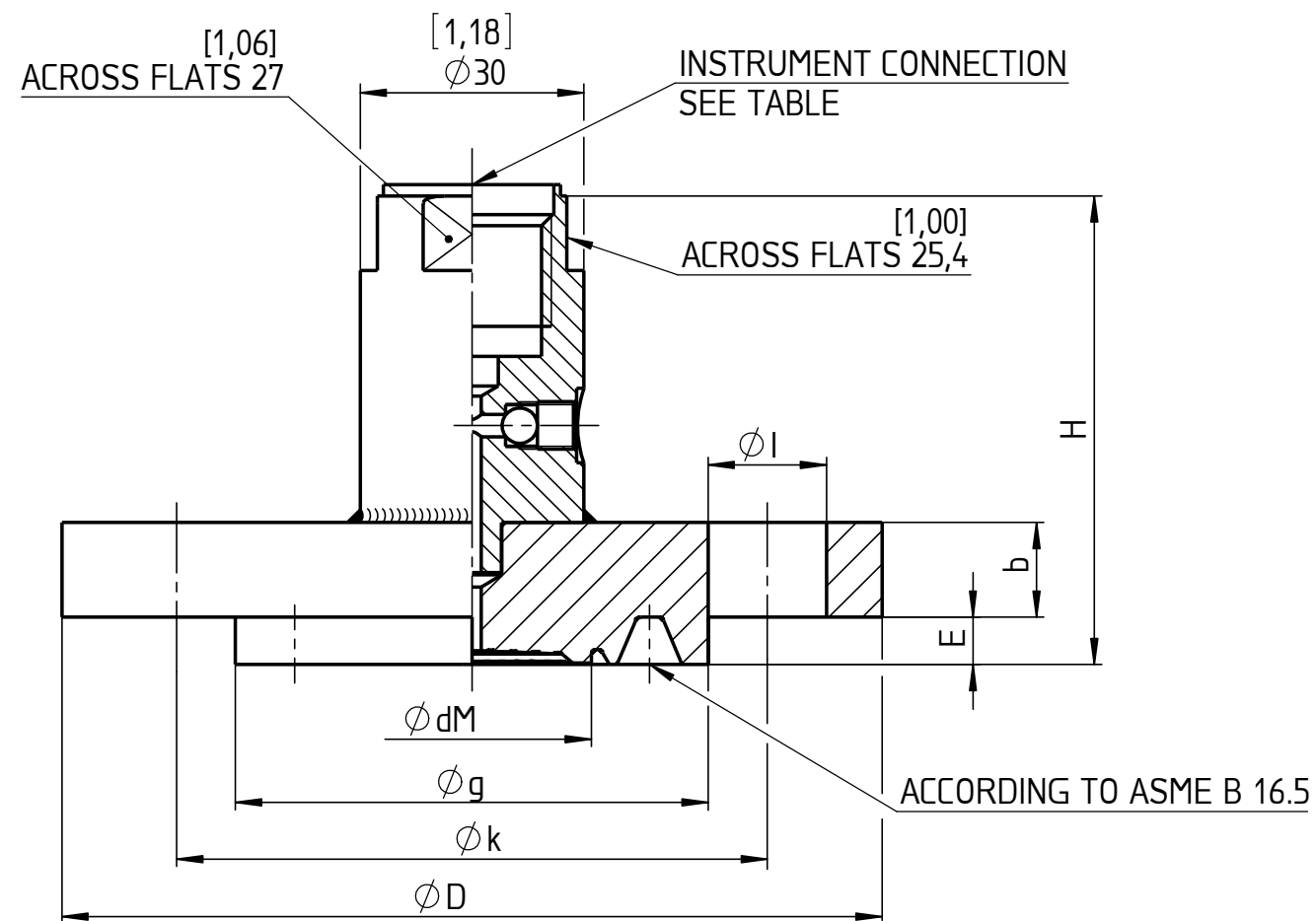


Size DN	PRESSURE CLASSES	ØD	b	Øg	ØdM	E	Øk	Øl	H	WEIGHT KG	Ring No.	
1"	150	[4,33] 110	[0,50] 12,7	[2,50] 63,5	[1,26] 32	[0,25] 6,4	[3,13] 79,4	[0,63] 15,9 x 4	[2,48] 62,9	1,0	R 15	
	300	[4,92] 125	[0,63] 15,9	[2,76] 70,0			[3,50] 88,9	[0,75] 19,1 x 4	[2,42] 61,4	1,6	R 16	
	400/600	[0,69] 17,5	[4,00] 101,6	[1,00] 25,4 x 4			[2,68] 68,0	3,7				
	900/1500	[5,91] 150	[1,13] 28,6	[2,81] 71,5			[4,25] 108,0	[3,37] 85,5	5,2	R 18		
	2500	[6,30] 160	[1,38] 35,0	[3,25] 82,5			[3,87] 98,4	[0,63] 15,9 x 4	[2,42] 61,4	1,6	R 19	
1 1/2"	150	[4,92] 125	[0,63] 15,9	[3,25] 82,5	[1,73] 44	[0,25] 6,4	[3,87] 98,4	[0,63] 15,9 x 4	[2,42] 61,4	1,6	R 19	
	300	[6,10] 155	[0,75] 19,1	[3,56] 90,5			[4,50] 114,3	[0,87] 22,2 x 4	[2,54] 64,6	2,8	R 20	
	400/600	[0,88] 22,3	[4,87] 123,8	[1,13] 28,6 x 4			[3,24] 82,3	6,0				
	900/1500	[7,09] 180	[1,25] 31,8	[3,62] 92,0			[0,31] 7,9	[5,75] 146,0	[1,25] 31,8 x 4	[3,74] 95,0	10,7	R 23
	2500	[8,07] 205	[1,75] 44,5	[4,49] 114,0			[0,25] 6,4	[4,75] 120,7	[0,75] 19,1 x 4	[2,48] 63,0	2,4	R 22
2"	150	[5,91] 150	[0,69] 17,5	[4,02] 102,0	[2,24] 57	[0,31] 7,9	[6,00] 152,4	[0,75] 19,1 x 4	[2,67] 67,8	4,9	R 29	
	300	[6,50] 165	[0,81] 20,7	[4,25] 108,0			[6,63] 168,3	[0,87] 22,2 x 8	[2,85] 72,5	6,8	R 31	
	400/600	[1,00] 25,4	[7,50] 190,5	[1,00] 25,4 x 8			[3,25] 82,5	8,0				
	900/1500	[8,46] 215	[1,50] 38,1	[4,88] 124,0			[8,00] 203,2	[1,25] 31,8 x 8	[3,88] 98,5	18,6	R 35	
	2500	[9,25] 235	[2,00] 50,9	[5,24] 133,0			[0,37] 9,5	[9,00] 228,6	[1,37] 34,9 x 8	[4,61] 117,2	34,8	R 32
3"	150	[7,48] 190	[0,88] 22,3	[5,24] 133,0	[3,46] 88	[0,25] 6,4	[7,50] 190,5	[0,75] 19,1 x 8	[2,67] 67,8	7,1	R 36	
	300	[8,27] 210	[1,06] 27,0	[5,75] 146,0			[7,87] 200,0	[0,87] 22,2 x 8	[2,98] 75,7	11,5	R 37	
	400/600	[1,25] 31,8	[8,50] 215,9	[1,00] 25,4 x 8			[3,37] 85,5	13,1				
	900	[9,45] 240	[1,50] 38,1	[6,14] 156,0			[9,25] 235,0	[1,25] 31,8 x 8	[3,74] 95	21,2	R 39	
	1500	[10,43] 265	[1,88] 47,7	[6,61] 168,0			[9,50] 241,3	[1,37] 34,9 x 8	[4,11] 104,5	29,2	R 39	
	2500	[12,01] 305	[2,63] 66,7	[0,37] 9,5			[0,44] 11,1	[10,75] 273,0	[1,63] 41,3 x 8	[4,99] 126,7	53,5	R 38
4"	150	[9,06] 230	[0,88] 22,3	[6,73] 171,0	[3,46] 88	[0,25] 6,4	[7,50] 190,5	[0,75] 19,1 x 8	[2,67] 67,8	7,1	R 36	
	300	[10,04] 255	[1,19] 30,2	[6,89] 175,0			[7,87] 200,0	[0,87] 22,2 x 8	[2,98] 75,7	11,5	R 37	
	400	[1,38] 35,0	[8,50] 215,9	[1,00] 25,4 x 8			[3,37] 85,5	13,1				
	600	[10,83] 275	[1,50] 38,1	[7,13] 181,0			[9,25] 235,0	[1,25] 31,8 x 8	[3,74] 95	21,2	R 39	
	900	[11,42] 290	[1,75] 44,5	[7,64] 194,0			[9,50] 241,3	[1,37] 34,9 x 8	[4,11] 104,5	29,2	R 39	
	1500	[12,20] 310	[2,13] 54,0	[7,99] 203,0			[0,44] 11,1	[10,75] 273,0	[1,63] 41,3 x 8	[4,99] 126,7	53,5	R 38
2500	[13,98] 355	[3,00] 76,2	[7,99] 203,0									

INSTRUMENT CONNECTION	CODE
1/4-18 NPT FEMALE	02T
1/2-14 NPT FEMALE	04T
G 1/2 FEMALE; DIN EN 837	51T
G 1/4 FEMALE; DIN EN 837	26T
WELDING PORT	00T



This drawing includes confidential information which is the property of ASHCROFT INC. This copy is loaned for a specific purpose, with the understanding that it will not be reproduced or used for any other purpose or disclosed to others, and it will be returned on demand.

Dimensions in mm [inch]



General Dimension  
Seal, DF\_ASME, RTJ  
Stainless Steel

	Date	Name
Drawn	30.07.14	C. Kollmer
Checked	14.08.20	Th. Wal

DWG. NO.

B 076 I 3-DF\_ASME-RTJ-St. St.

All specifications are subject to change without notice.

A	Description	Date	Na.
	Table updated	14.08.20	Krott
Rev.			

**ASHCROFT**