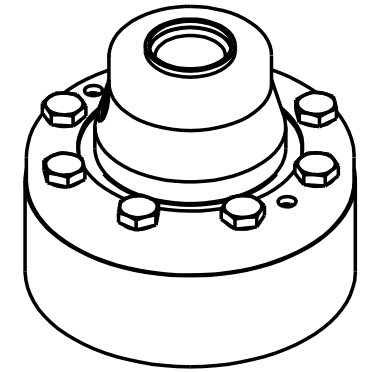
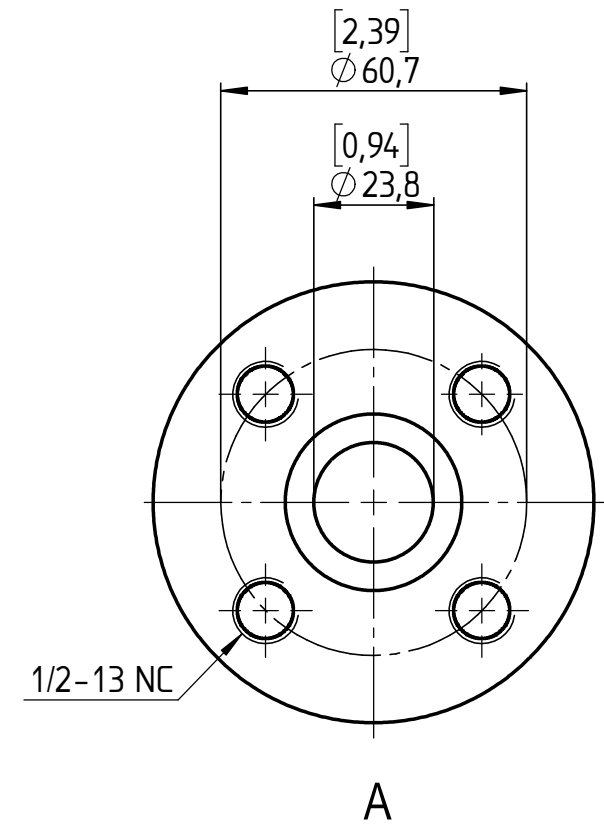
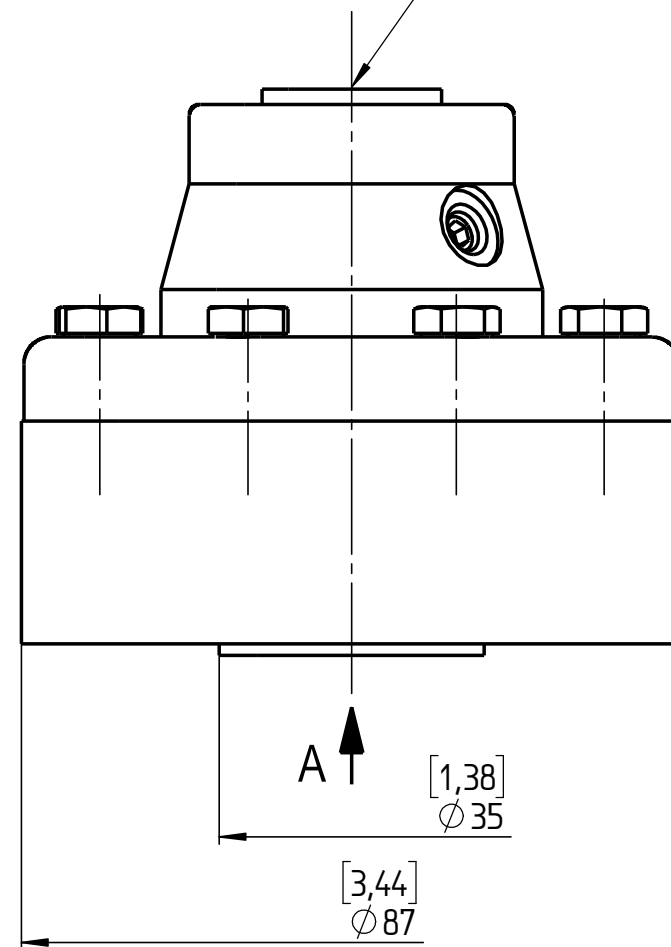
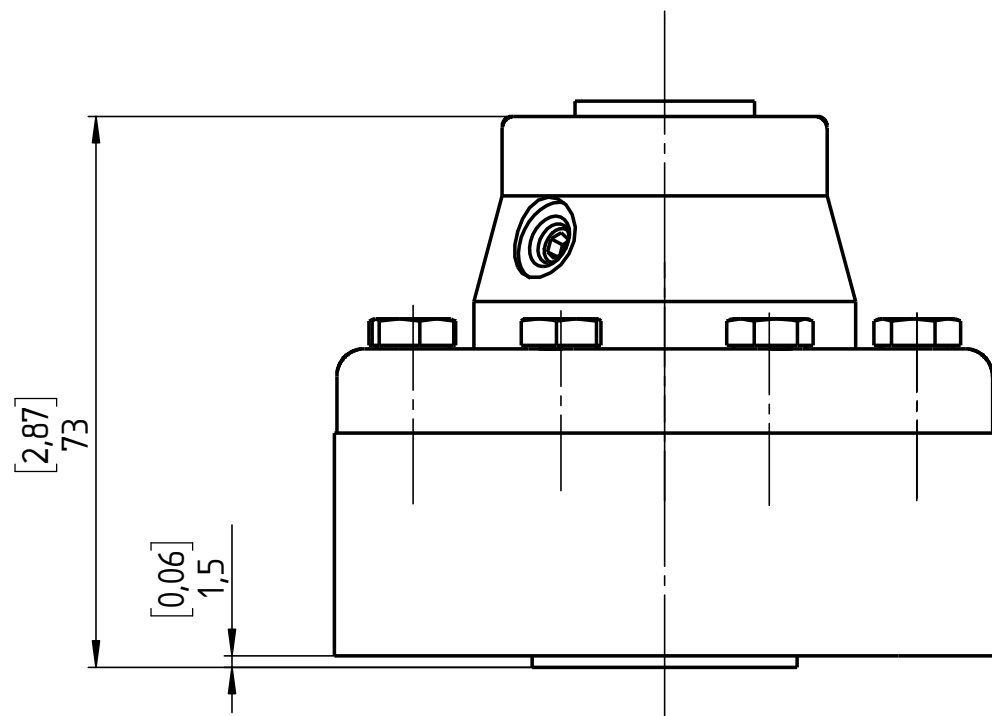


INSTRUMENT CONNECTION THREADS	CODE
1/4-18 NPT FEMALE	02T
1/2-14 NPT FEMALE	04T
G 1/2 FEMALE; DIN EN 837	51T



INSTRUMENT CONNECTION
THREADS SEE TABLE



All specifications are subject to change without notice.

This drawing includes confidential information which is the property of ASHCROFT INC. This copy is loaned for a specific purpose, with the understanding that it will not be reproduced or used for any other purpose or disclosed to others, and it will be returned on demand.				Dimensions in mm [inch]		
				General Dimension Seal, 102, 1/2" CL150, Raised Face		
		Date	Name		DWG. NO.	
		Drawn 27.06.19	C. Kollmer		B 076 3-102-50-150-RF	
		Checked 27.06.19	Th. Wal			
Rev.	Description	Date	Na.			