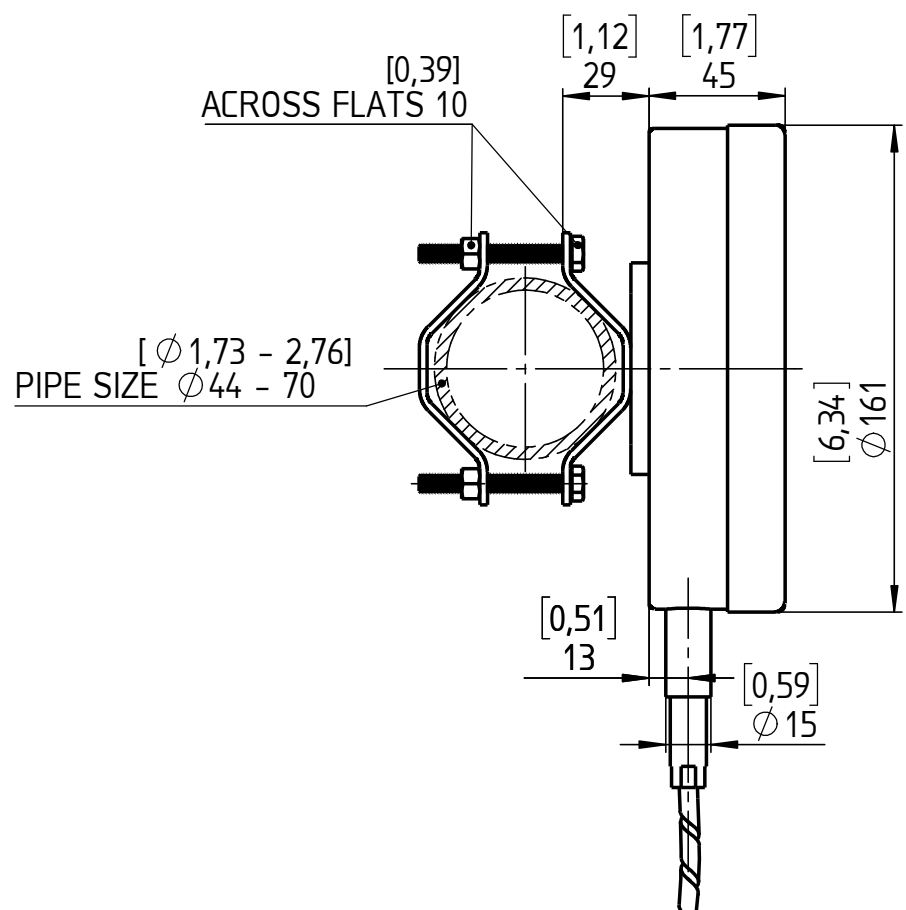
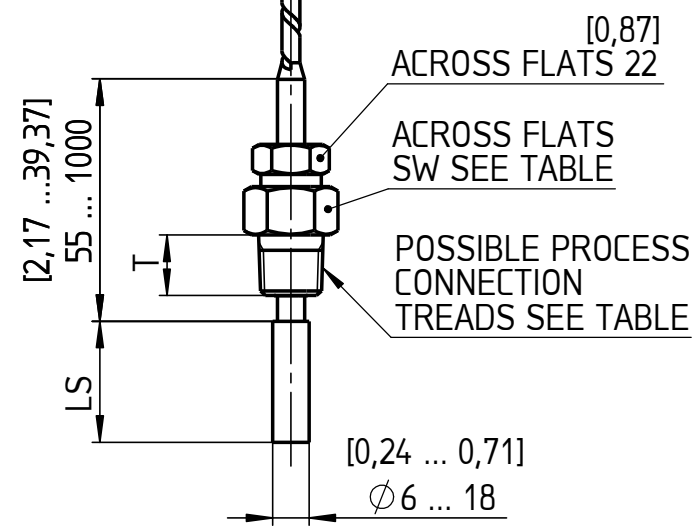
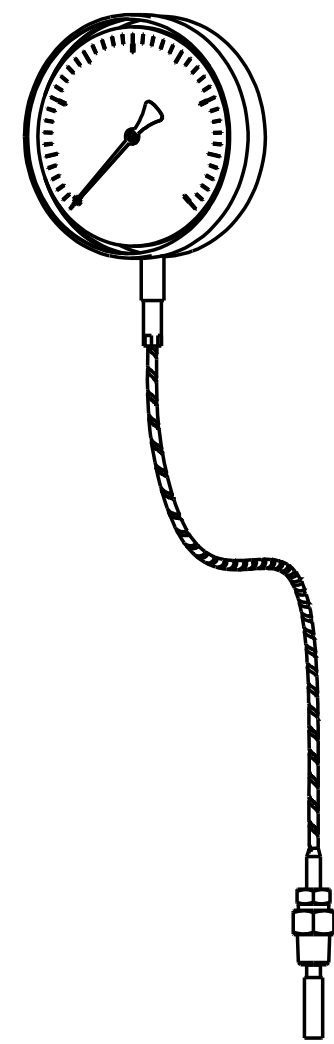
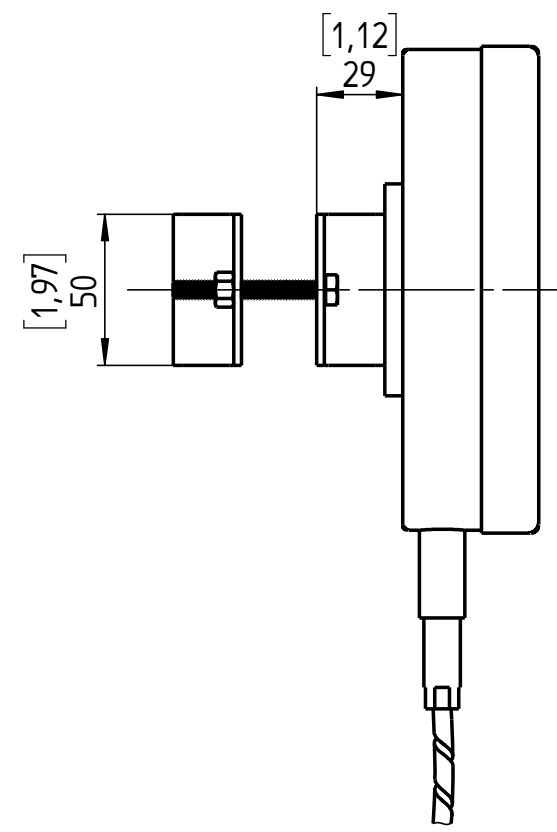


HORIZONTAL INSTALLATION



VERTICAL INSTALLATION



LENGTH LS (SPECIFY BY CUSTOMER)
 LENGTH-CAPILLARY (SPECIFY BY CUSTOMER)

THREADS	CODE	SW	T
G 1 B MALE	10	36 [1,42]	18 [0,71]
G 3/4 B MALE	75	32 [1,26]	16 [0,63]
G 1/2 B MALE	50	27 [1,06]	14 [0,55]
1-11,5 NPT MALE	10N	36 [1,42]	25 [0,98]
3/4-14 NPT MALE	75N		20 [0,79]
1/2-14 NPT MALE	50N		20 [0,79]
M18x1,5 MALE	M18	27 [1,06]	12 [0,47]
M20x1,5 MALE	M20		14 [0,55]
M24x1,5 MALE	M24		14 [0,55]

This drawing includes confidential information which is the property of ASHCROFT INC. This copy is loaned for a specific purpose, with the understanding that it will not be reproduced or used for any other purpose or disclosed to others, and it will be returned on demand.

Rev.	Description	Date	Na.
A	Vertikal install. added	01.07.19	Krott



Dimensions in mm [inch]

General Dimension
 S5500, NG160, Lower, CS1, TM,

DWG. NO. B 076 | 2-S5500-NG160-L-CS1-TM

All specifications are subject to change without notice.