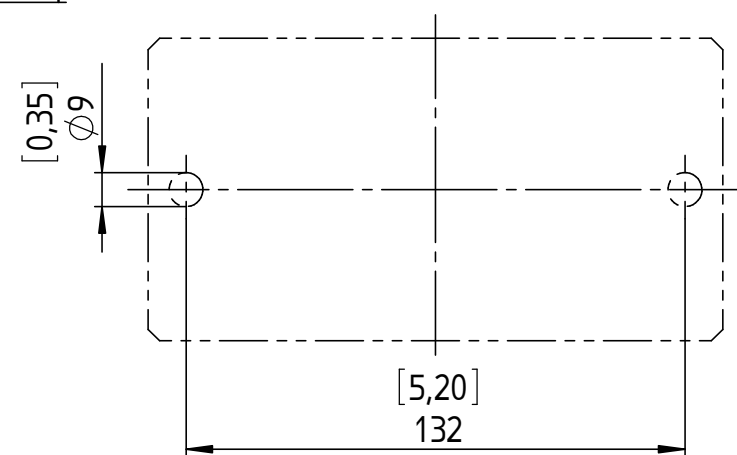


WALL MOUNTING PREPARATION



| THREADS                       | CODE | X          |             |
|-------------------------------|------|------------|-------------|
|                               |      | MATERIAL S | MATERIAL HH |
| 1/4-18 NPT MALE; DIN EN 837   | 02   | 33 [1,30]  | 33 [1,30]   |
| 1/2-14 NPT MALE; DIN EN 837   | 04   | 36 [1,42]  | 36 [1,42]   |
| G 1/4 B MALE; DIN EN 837      | 13   | 25 [0,98]  | 25 [0,98]   |
| G 1/2 B MALE; DIN EN 837      | 15   | 32 [1,26]  | 32 [1,26]   |
| M20x1,5 MALE; DIN 3852 TEIL 1 | 16   | 32 [1,26]  | 32 [1,26]   |
| 1/4-18 NPT FEMALE             | 25   | 25 [0,98]  | 25 [0,98]   |
| G 1/4 FEMALE; DIN EN 837      | 27   | 15 [0,59]  | 15 [0,59]   |
| 1/2-14 NPT FEMALE             | 50   | 0          | 25 [0,98]   |

This drawing includes confidential information which is the property of ASHCROFT INC. This copy is loaned for a specific purpose, with the understanding that it will not be reproduced or used for any other purpose or disclosed to others, and it will be returned on demand.

Dimensions in mm [inch]

General Dimension  
F5503-HP, NG100, Lower,  
0,6 ÷ 40 bar, PN400, FW

DWG. NO. B 076 | 1-F5503-HP-NG100  
-L-0,6-40 BAR-PN400-FW

| Rev. | Description | Date     | Na.      |
|------|-------------|----------|----------|
|      |             | 15.10.14 | J. Krott |
|      |             | 15.10.14 | Th. Wel  |

