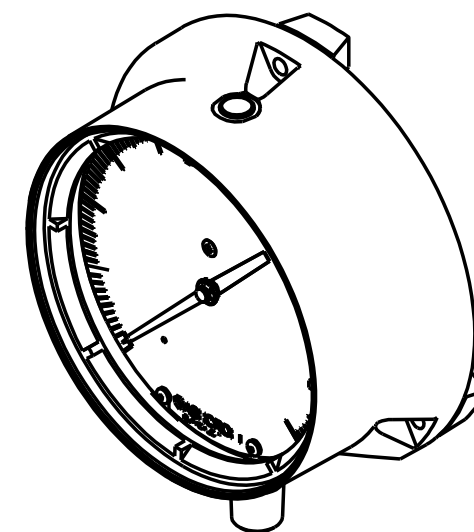
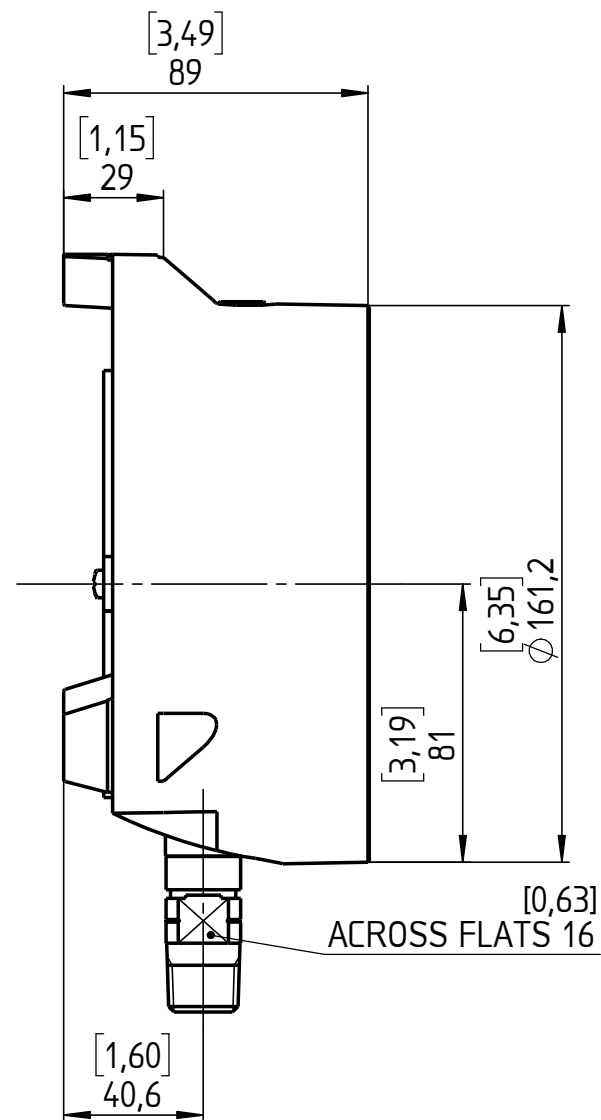
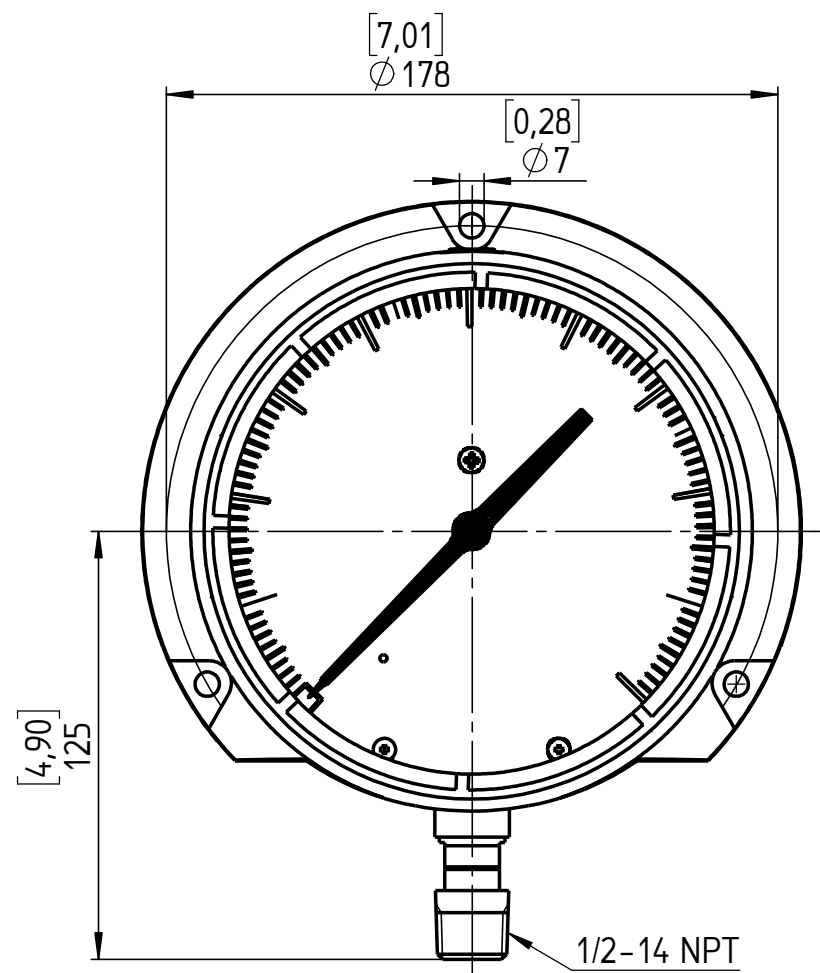


THREADS	CODE
1/4-18 NPT MALE; DIN EN 837	02
1/2-14 NPT MALE; DIN EN 837	04
9/16-18 UNF-2B FEMALE Aminco; HP	09
G 1/2 B MALE; DIN EN 837	15
M20x1,5 MALE	16
R 1/2 MALE; DIN EN 10226	KD



All specifications are subject to change without notice.

This drawing includes confidential information which is the property of ASHCROFT INC. This copy is loaned for a specific purpose, with the understanding that it will not be reproduced or used for any other purpose or disclosed to others, and it will be returned on demand.

	Date	Name
Drawn	28.08.19	J. Krott
Checked	28.08.19	<i>C. Krott</i>

Rev.	Description	Date	Na.

ASHCROFT

Dimensions in mm [inch]

General Dimension
Duragauge 1379, 6", Lower

DWG. NO.
B 076 | 1-1379-60-L

