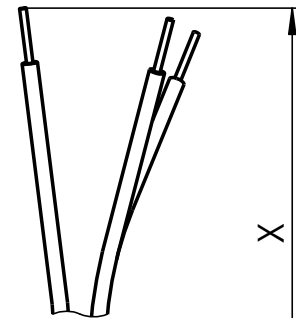
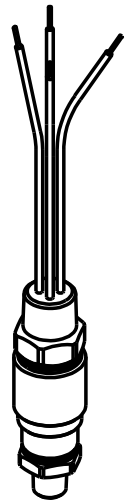


CONNECTION	CODE	A	B
1/8-27 NPT MALE; DIN EN 837	01	10,4 [0,41]	11,4 [0,45]
1/4-18 NPT MALE; DIN EN 837	02	13,7 [0,54]	14,2 [0,56]
1/8-27 NPT FEMALE	03	16,5 [0,65]	19,1 [0,75]
1/4-18 NPT FEMALE	25	19,1 [0,75]	23,4 [0,92]
G 1/4 A MALE; DIN 3852	12	13,1 [0,52]	14,0 [0,55]
G 1/4 B MALE; DIN EN 837	13	13,1 [0,52]	13,0 [0,51]
7/16-20 SAE MALE	05	11,2 [0,44]	14,2 [0,56]
VCR FIXED MALE	06	14,2 [0,56]	14,7 [0,58]
VCO FIXED MALE	07	14,2 [0,56]	11,9 [0,47]
1,5" TRI-CLOVER CONNECTION	15	50,5 [1,99]	31,2 [1,23]
2,0" TRI-CLOVER CONNECTION	20	63,2 [2,49]	31,2 [1,23]
3/4" TRI-CLAMP CONNECTION	75	24,4 [0,96]	27,9 [1,10]



ELECTRICAL CONNECTION	X
012C	304,8 [12]
024C	609,6 [24]
048C	1219,2 [48]
072C	1828,8 [72]

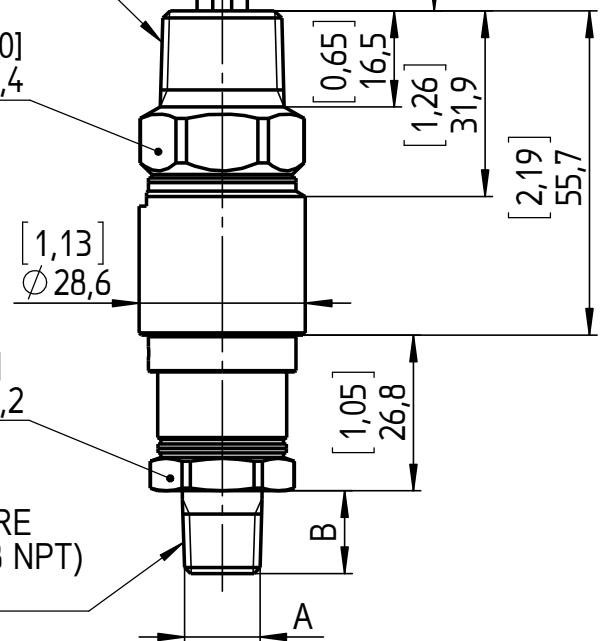
FIRST THREE DIGITS REPRESENT THE LENGTH OF THE WIRE LEADS IN INCHES. 012, 024, 048, 072 ARE STANDARD AVAILABLE LENGTHS. CONSULT FACTORY FOR CUSTOM LENGTH AVAILABILITY.

1/2-14 NPT  
CONDUIT CONNECTION  
WITH 3-18 AWG WIRES  
X LENGTH

[1,00]  
ACROSS FLATS 25,4

[0,87]  
ACROSS FLATS 22,2

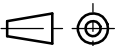
AVAILABLE PRESSURE  
CONNECTION (1/4-18 NPT)  
SEE TABLE



All specifications are subject to change without notice.

This drawing includes confidential information which is the property of ASHCROFT INC. This copy is loaned for a specific purpose, with the understanding that it will not be reproduced or used for any other purpose or disclosed to others, and it will be returned on demand.

Dimensions in mm [inch]



General Dimension

A-Series Switch

APS, N4, XC

DWG. NO.

A 076 14-APS-N4-XC

Rev.	Description	Date	Na.

**ASHCROFT**

	Date	Name
Drawn	05.11.12	J. Krott
Checked	05.11.12	Th. Wal