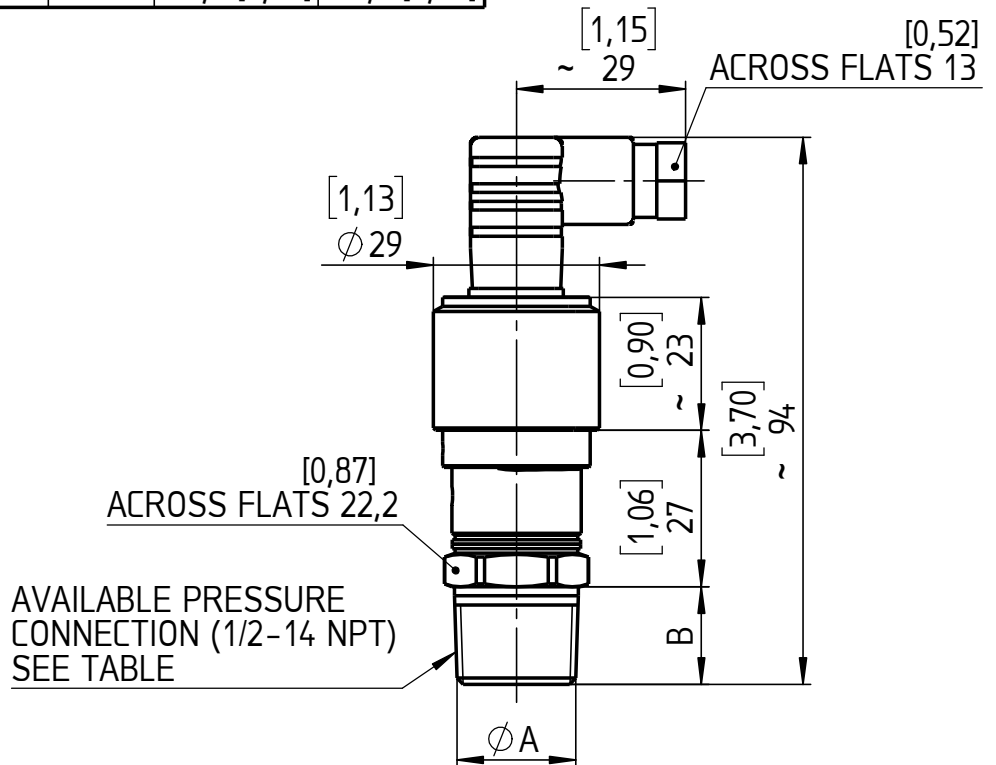
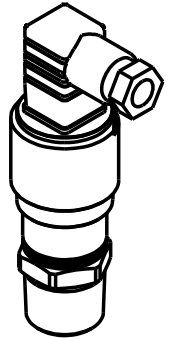


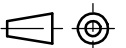
CONNECTION	CODE	A	B
1/8-27 NPT MALE	01	11,2 [0,44]	11,4 [0,45]
1/4-18 NPT MALE	02	13,7 [0,54]	14,2 [0,56]
1/8-27 NPT FEMALE	03	16,5 [0,65]	19,1 [0,75]
1/2-14 NPT MALE	04	19,1 [0,75]	23,4 [0,92]
7/16-20 SAE MALE	05	11,2 [0,44]	14,2 [0,56]
VCR FIXED MALE	06	14,2 [0,56]	14,7 [0,58]
VCO FIXED MALE	07	14,2 [0,56]	11,9 [0,47]
7/16-20 SAE FEMALE	08	21,3 [0,84]	27,9 [1,10]
G 1/4 A MALE; DIN 3852	12	11,2 [0,44]	14,0 [0,55]
G 1/4 B MALE	13	9,4 [0,37]	15,0 [0,59]
1,5" TRI-CLOVER SEAL	15	50,5 [1,99]	31,2 [1,23]
2,0" TRI-CLOVER SEAL	20	63,2 [2,49]	31,2 [1,23]
1/4-18 NPT FEMALE	25	19,1 [0,75]	27,9 [1,10]
1/2-14 NPT FEMALE	50	26,4 [1,04]	31,8 [1,25]
9/16-18 SAE FEMALE	46	11,9 [0,47]	9,9 [0,39]
3/4" TRI-CLAMP SEAL	75	24,4 [0,96]	27,9 [1,10]
7/16-20 SAE W/37_FLARE END	76	9,1 [0,36]	14,0 [0,55]



All specifications are subject to change without notice.

This drawing includes confidential information which is the property of ASHCROFT INC. This copy is loaned for a specific purpose, with the understanding that it will not be reproduced or used for any other purpose or disclosed to others, and it will be returned on demand.

Dimensions in mm [inch]



General Dimension
A-Series Watertight Pressure Switch
APS, N4, Micro DIN connector

DWG. NO.

A 076 I 4-APS-N4-00MH

Rev.	Description	Date	Na.	Date	Name
				Drawn 31.08.20	J. Krott
				Checked 01.09.20	<i>C. Weitz</i>

ASHCROFT®