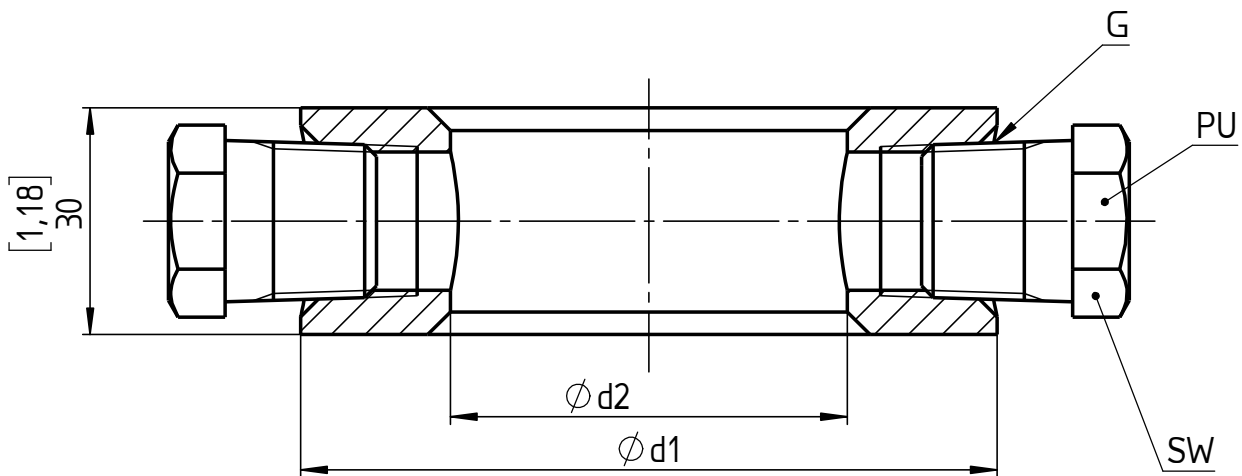
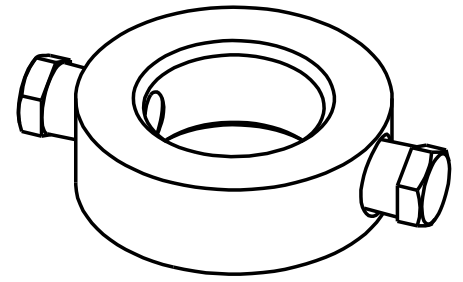


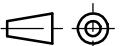
SIZE DN	PRESSURE RATING	ød1	ød2	G	SW
DN25	PN16 ... PN400	[2,68] 68,0	[1,14] 29,0	1/2-14 NPT	[0,87] 22
DN40		[3,46] 88,0	[1,73] 44,0		
DN50		[4,02] 102,0	[2,17] 55,0		
DN80		[5,43] 138,0	[3,54] 90,0		
DN100		[6,38] 162,0	[4,21] 107,0		
1"	CL150 ... CL2500	[2,00] 50,8	[1,05] 26,6	1/4-18 NPT	[0,39] 10
1 1/2"		[2,87] 73,0	[1,61] 40,9	1/2-14 NPT	[0,87] 22
2"		[3,63] 92,1	[2,07] 52,5		
3"		[5,00] 127,0	[3,07] 77,9		
4"		[6,19] 157,2	[4,03] 102,3		



All specifications are subject to change without notice.

This drawing includes confidential information which is the property of ASHCROFT INC. This copy is loaned for a specific purpose, with the understanding that it will not be reproduced or used for any other purpose or disclosed to others, and it will be returned on demand.

Dimensions in mm [inch]



General Dimension  
Flushing ring with plug

Rev.	Description	Date	Na.	Drawn	Date	Name
B	Added 1"	03.09.19	Krott			
A	Add. 1 1/2", DN 25 a. DN40	26.10.16	Krott			
				Checked	03.09.19	<i>J. Krott</i>

**ASHCROFT**

DWG. NO.

A 076 I 3-FR-PU