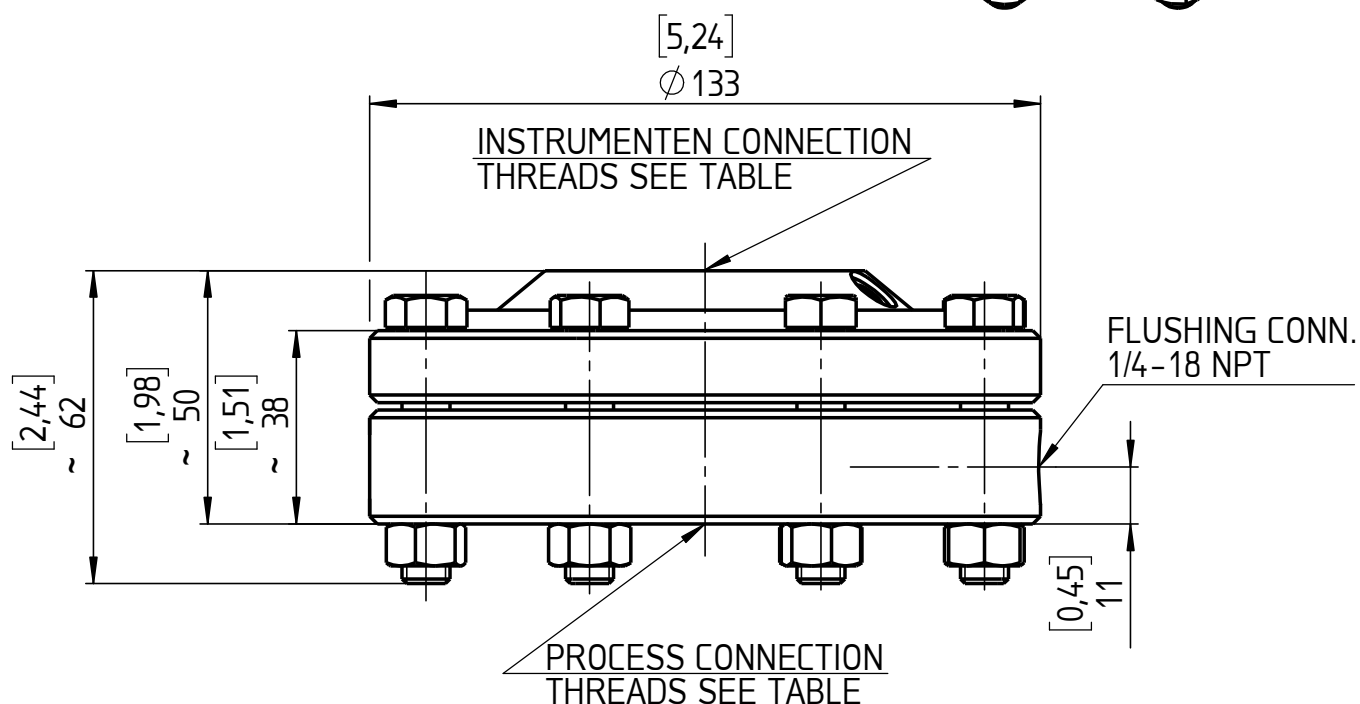
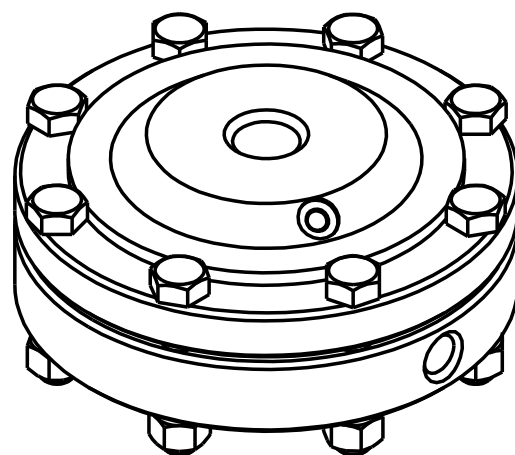


INSTRUMENT CONNECTION THREADS	CODE
1/4-18 NPT FEMALE	02T
1/2-14 NPT FEMALE	04T



PROCESS CONNECTION THREADS	CODE
1/4-18 NPT FEMALE	25
1/2-14 NPT FEMALE	50
3/4-14 NPT FEMALE	75
1-11,5 NPT FEMALE	10

All specifications are subject to change without notice.

This drawing includes confidential information which is the property of ASHCROFT INC. This copy is loaned for a specific purpose, with the understanding that it will not be reproduced or used for any other purpose or disclosed to others, and it will be returned on demand.

Dimensions in mm [inch]



General Dimension
Seal 741

	Date	Name
Drawn	12.07.21	J. Krott
Checked	12.07.21	<i>Ph. Wal</i>

ASHCROFT

DWG. NO.

A 076 | 3-741

Rev.	Description	Date	Na.