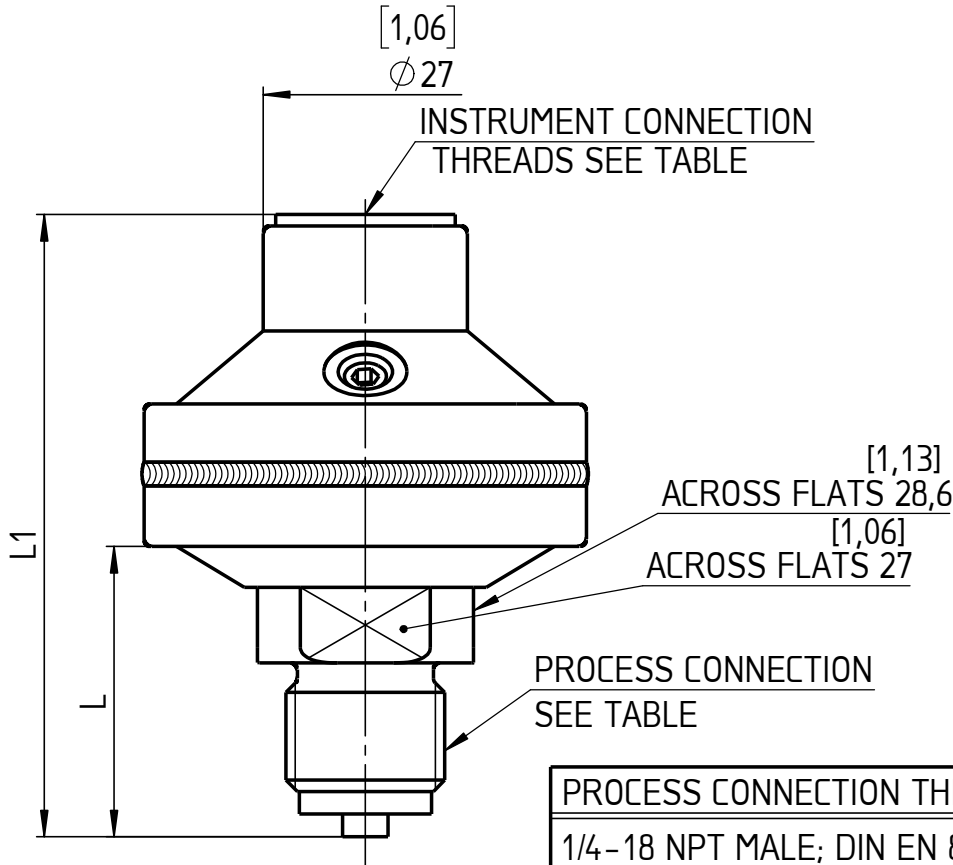
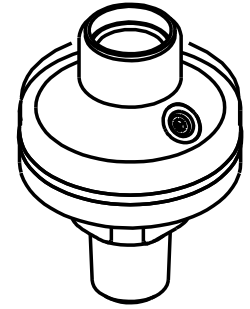


INSTRUMENT CONNECTION THREADS	CODE
1/4-18 NPT FEMALE	02T
1/2-14 NPT FEMALE	04T
G 1/4 FEMALE; DIN EN 837	13T
M20x1,5 FEMALE; DIN 3852-1	16T
G 1/2 FEMALE; DIN EN 837	51T
WELDING PORT	00T

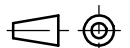


PROCESS CONNECTION THREADS	CODE	L	L1
1/4-18 NPT MALE; DIN EN 837	02	38,4	82,3
1/2-14 NPT MALE; DIN EN 837	04		
3/4-14 NPT MALE;	06		
G 1/4 B MALE; DIN EN 837	13		
M20x1,5 MALE; DIN 3852-1	16		
G 1/2 B MALE; DIN EN 837	18		
G 3/4 A; MALE; DIN 3852-1	23		
1 1/2-11,5 NPT; MALE	67	40,4	84,3
R 1/2 MALE; ISO 7-1	KQ	38,4	82,3
R 1 MALE; ISO 7-1	WT	40,4	84,3

All specifications are subject to change without notice.

This drawing includes confidential information which is the property of ASHCROFT INC. This copy is loaned for a specific purpose, with the understanding that it will not be reproduced or used for any other purpose or disclosed to others, and it will be returned on demand.

Dimensions in mm [inch]



General Dimension

Seal, 510, Low Pressure 1500 psi, male process connection

Rev.	Description	Date	Na.
F	New design	12.04.21	Krott
E	New design	14.01.20	Krott

ASHCROFT

DWG. NO.

A 076 I 3-510-Low Pressure-male