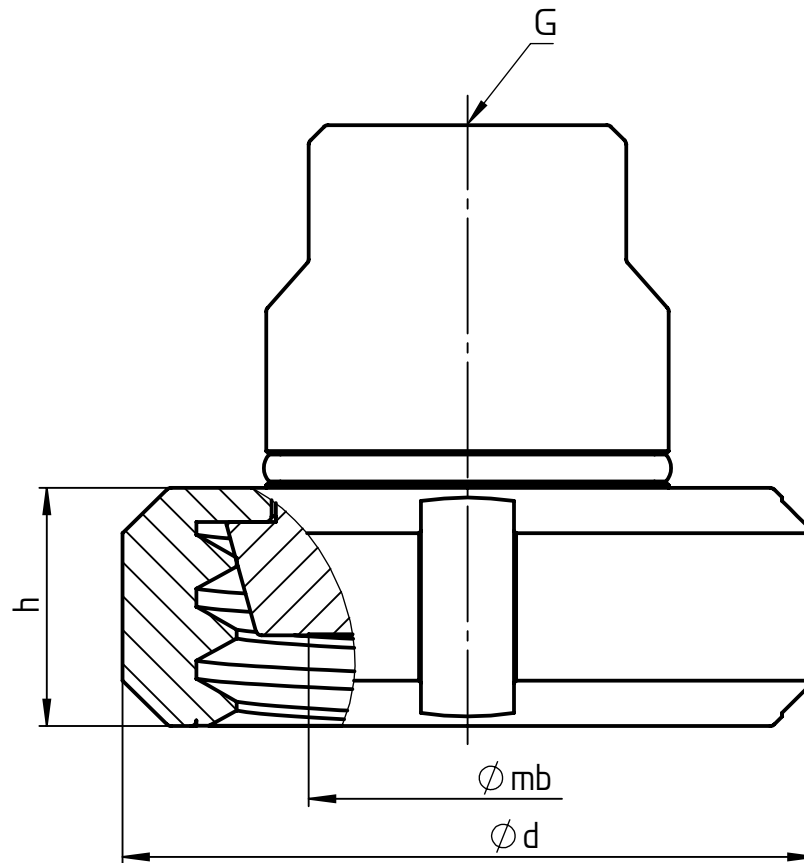
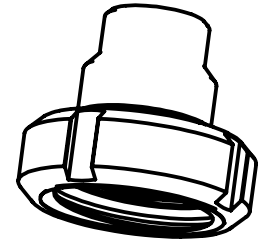


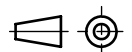
CONNECTION SIZE	CODE	ϕd	ϕmb	h	G	Weight kg
MILK COUPLING DN25	DN25	[2,48] 63	[1,18] 30	[0,83] 21	51T G 1/2	0,5
MILK COUPLING DN32	DN32	[2,76] 70	[1,42] 36			0,6
MILK COUPLING DN40	DN40	[3,07] 78	[1,58] 40	[0,87] 22	or INA other conn. using adapter from G 1/2	0,7
MILK COUPLING DN50	DN50	[3,62] 92	[1,97] 50			1,1
MILK COUPLING DN65	DN65	[4,41] 112	[2,05] 52	[0,98] 25		1,5
MILK COUPLING DN80	DN80	[5,00] 127	[2,83] 72	[1,14] 29		2,0



All specifications are subject to change without notice.

This drawing includes confidential information which is the property of ASHCROFT INC. This copy is loaned for a specific purpose, with the understanding that it will not be reproduced or used for any other purpose or disclosed to others, and it will be returned on demand.

Dimensions in mm [inch]



General Dimension

Sanitary Diaphragm Seal
Model 324, DIN female

Rev.	Description	Date	Name
A	Title changed	30.04.21	Krott

ASHCROFT

DWG. NO.

A 076 I 3-324 female