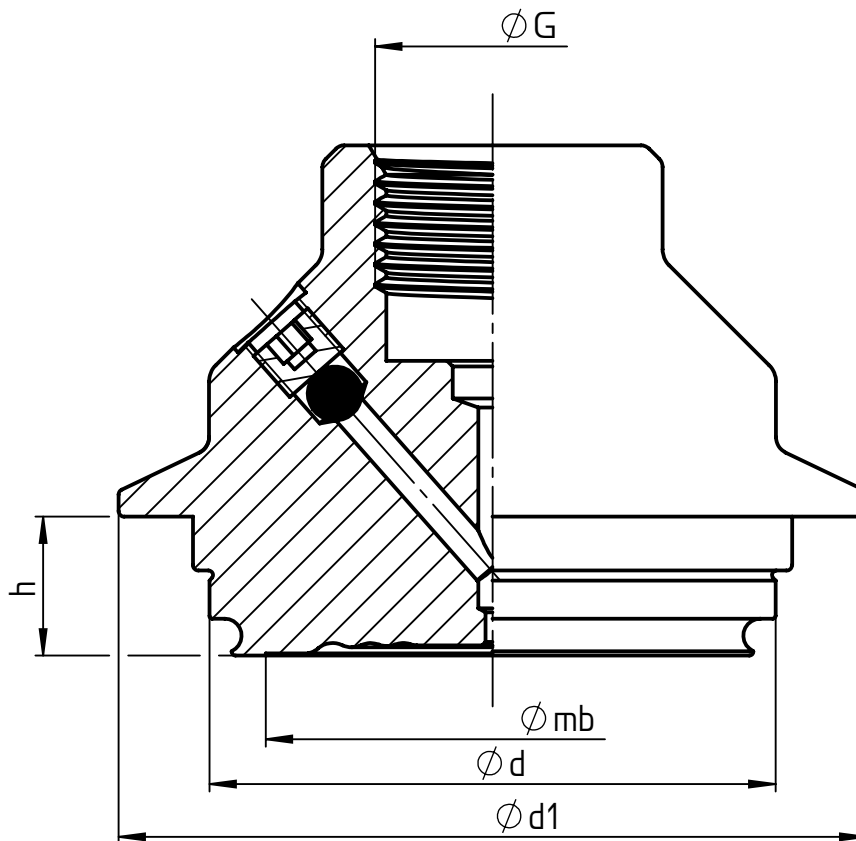
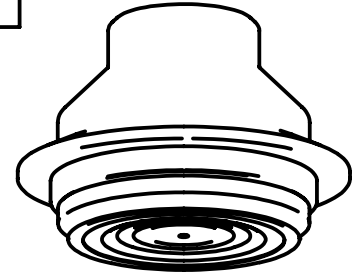


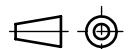
CONNECTION SIZE	CODE	$\phi d1$	ϕd	h	ϕmb	G	Weight kg
VARIVENT FORM F	VAF	[2,60] 66	[1,97] 50	[0,48] 12,3	[1,57] 40	51T G 1/2	0,5
VARIVENT FORM N	VAN	[3,31] 84	[2,68] 68		[2,24] 57	or INA	1,1



All specifications are subject to change without notice.

This drawing includes confidential information which is the property of ASHCROFT INC. This copy is loaned for a specific purpose, with the understanding that it will not be reproduced or used for any other purpose or disclosed to others, and it will be returned on demand.

Dimensions in mm [inch]



General Dimension

Sanitary Diaphragm Seal
Model 323 Varivent

Rev.	Description	Date	Na.	Date	Name
				Drawn	01.12.20 J. Krott
				Checked	30.04.21 C. West
A	Title changed	30.04.21	Krott		

ASHCROFT

DWG. NO.

A 076 | 3-323