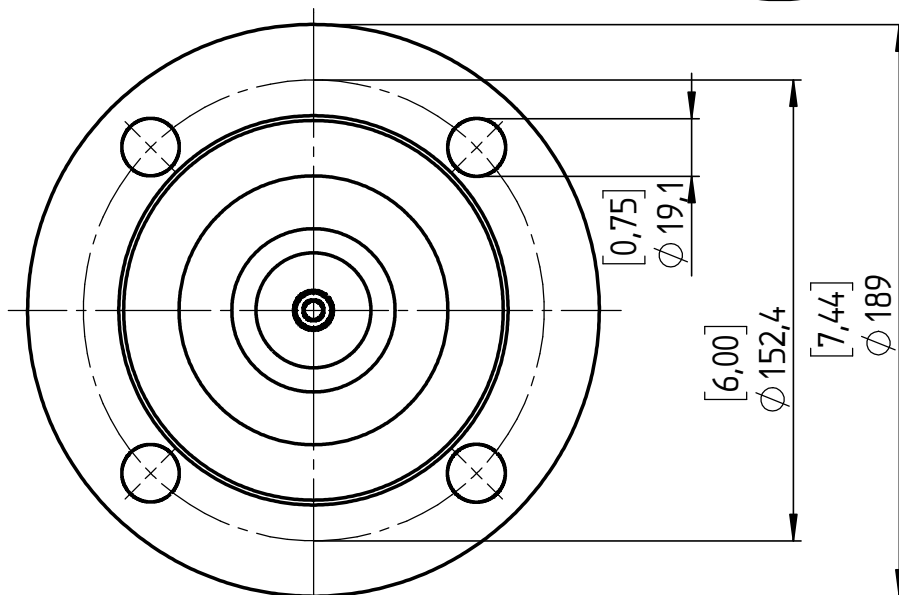
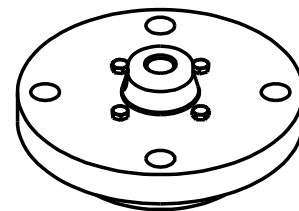
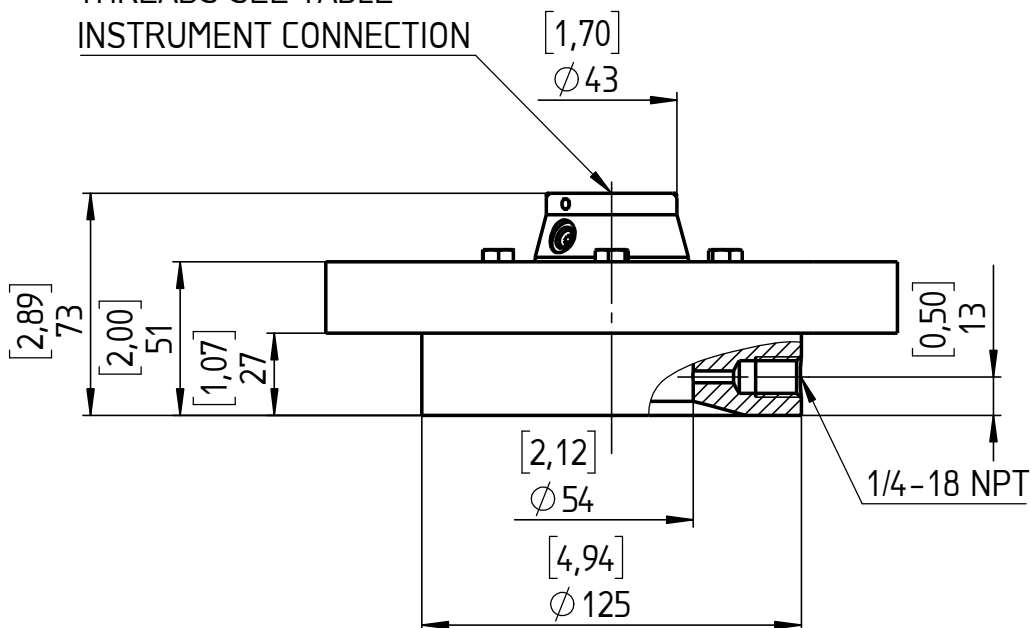


INSTRUMENT CONNECTION THREADS	CODE
1/4-18 NPT FEMALE	02T
1/2-14 NPT FEMALE	04T
G 1/2 FEMALE; DIN EN 837	51T



THREADS SEE TABLE
INSTRUMENT CONNECTION



All specifications are subject to change without notice.

This drawing includes confidential information which is the property of ASHCROFT INC. This copy is loaned for a specific purpose, with the understanding that it will not be reproduced or used for any other purpose or disclosed to others, and it will be returned on demand.

Dimensions in mm [inch]



General Dimension
Seal 103, 3" CL150
Raised Face

Rev.	Description	Date	Na.	Drawn	Date	Name
				J. Krott	30.07.20	J. Krott
				C. Witt	30.07.20	C. Witt

ASHCROFT

DWG. NO.

A 076 I 3-103-30-150-RF

Rev. Description Date Na.