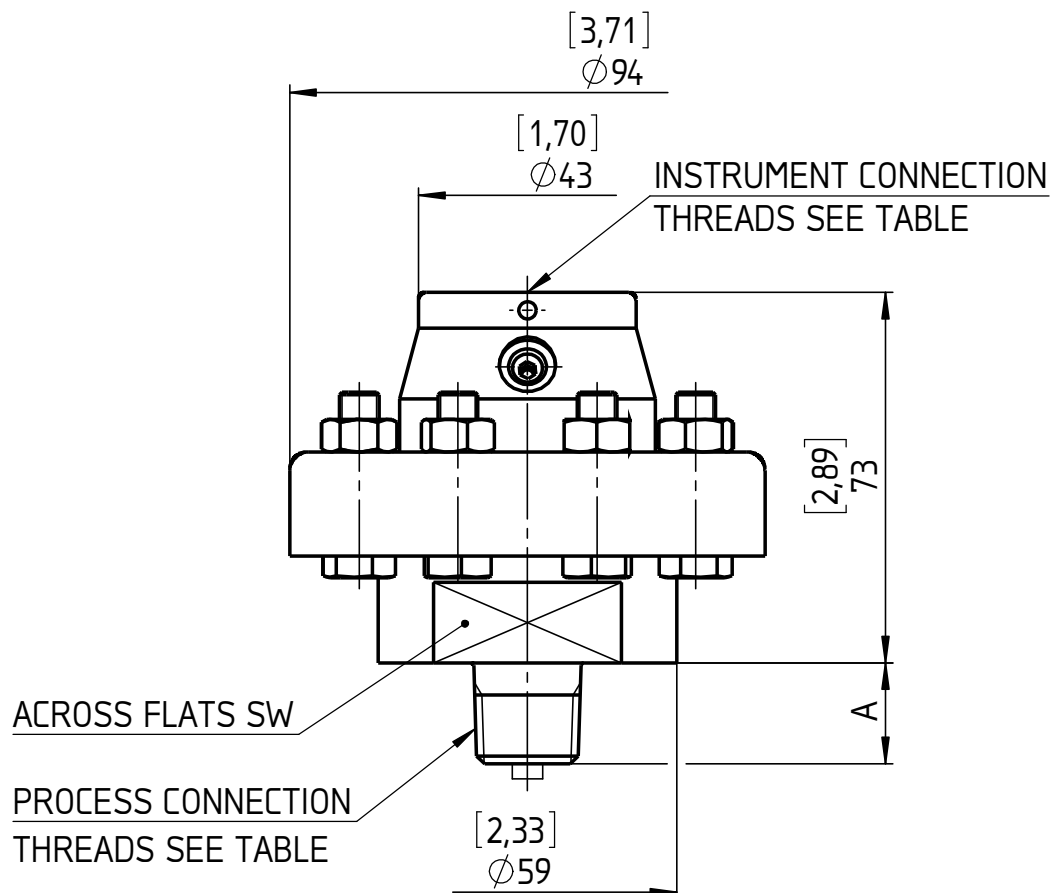
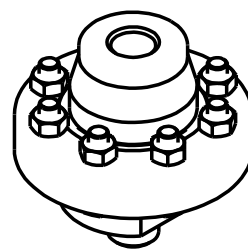


INSTRUMENT CONNECTION THREADS	CODE
1/4-18 NPT FEMALE	02T
1/2-14 NPT FEMALE	04T
G 1/2 FEMALE; DIN EN 837	51T



PROCESS CONNECTION THREADS	CODE	A	SW
1/2-14 NPT MALE; DIN EN 837	04	20 [0,79]	46 [1,81]
3/4-14 NPT MALE	06	20 [0,79]	46 [1,81]
1-11,5 NPT MALE	08	25 [0,98]	46 [1,81]
G 3/8 B MALE; DIN EN 837	14	16 [0,63]	46 [1,81]
M20x1,5 MALE	16	20 [0,79]	46 [1,81]
G 1/2 B MALE; DIN EN 837	18	20 [0,79]	46 [1,81]
R 1 MALE; ISO 7-1 (DIN EN 10226)	80	25 [0,98]	46 [1,81]
R 1 1/2 MALE; ISO 7-1 (DIN EN 10226)	85	25 [0,98]	50 [1,97]

This drawing includes confidential information which is the property of ASHCROFT INC. This copy is loaned for a specific purpose, with the understanding that it will not be reproduced or used for any other purpose or disclosed to others, and it will be returned on demand.

Dimensions in mm [inch]



General Dimension  
Seal, 100, Male Process

Rev.	Description	Date	Na.
A	Updated drawing	10.02.17	Krott

**ASHCROFT**

DWG. NO.

A 076 I 3-100-Male Process

All specifications are subject to change without notice.