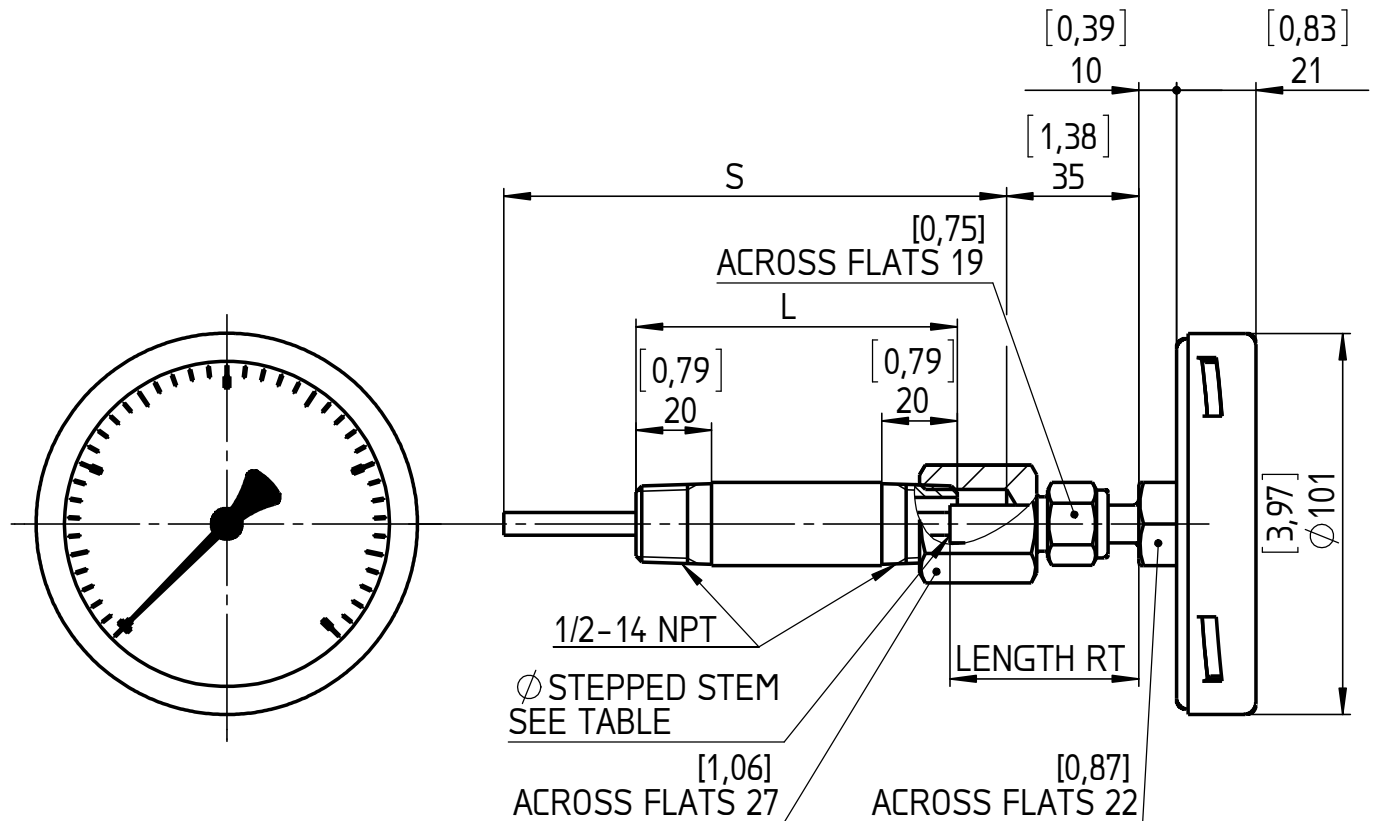
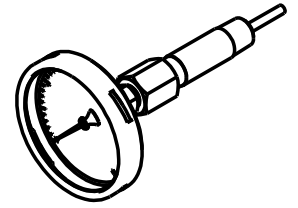


EXECUTION	Ø STEPPED STEM FROM / TO	LENGTH RT
RT8/6	[0,31] / [024] 8 / 6	[1,97] 50
RT10/6	[0,39] / [024] 10 / 6	[2,76] 70
RT10/8	[0,39] / [031] 10 / 8	[3,94] 100

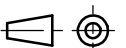


S = STEM LENGTH (SPECIFY BY CUSTOMER)
L = CONNECTION LENGTH (SPECIFY BY CUSTOMER)

All specifications are subject to change without notice.

This drawing includes confidential information which is the property of ASHCROFT INC. This copy is loaned for a specific purpose, with the understanding that it will not be reproduced or used for any other purpose or disclosed to others, and it will be returned on demand.

Dimensions in mm [inch]



General Dimension

Bimetal, NG100, A, Back, 074, EN, RT

				Date	Name
				Drawn 24.02.16	J. Krott
				Checked 04.03.16	Th. Wol
Rev.	Description	Date	Na.		

DWG. NO.

A 076 | 2-NG100A-R-074-EN-RT