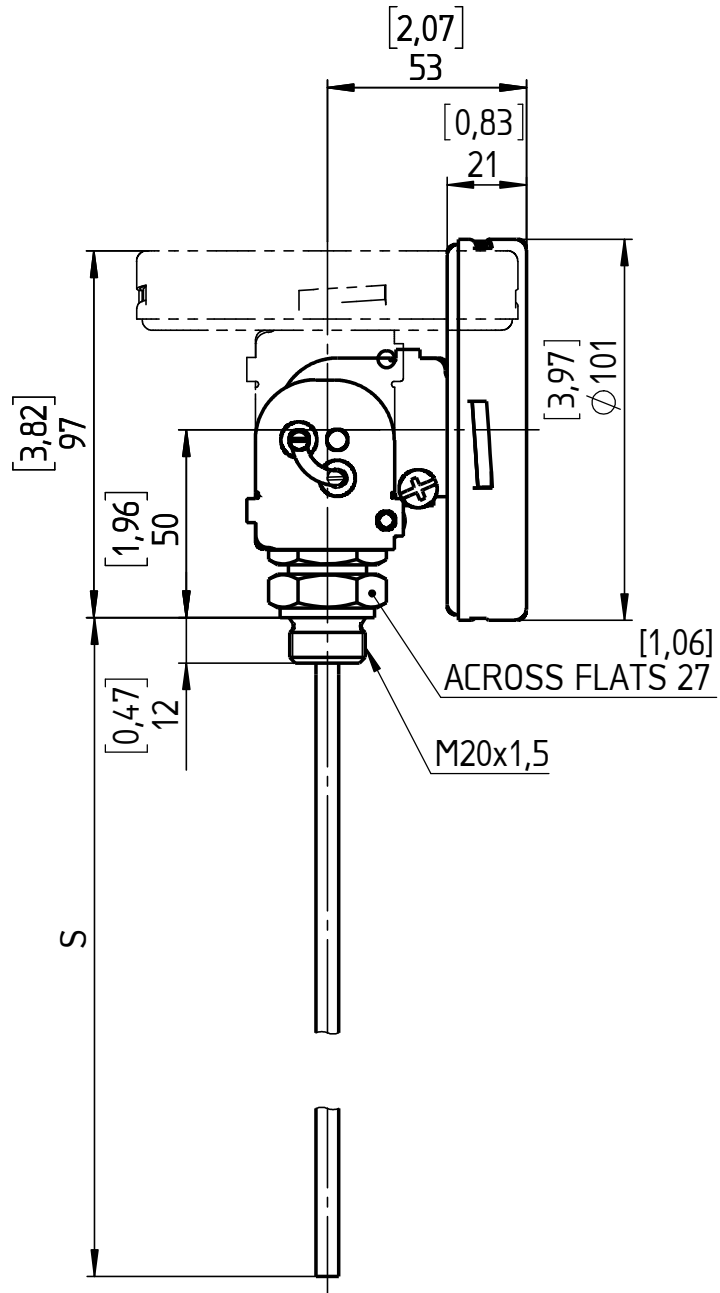
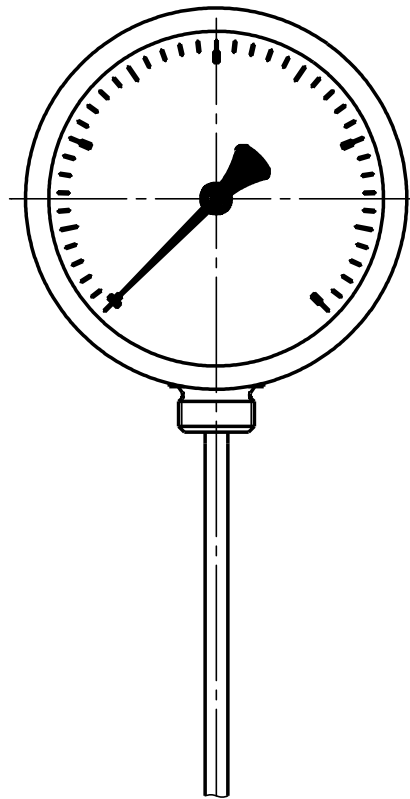
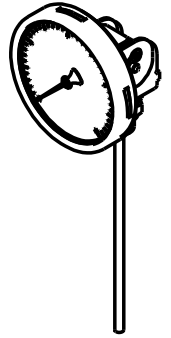


EXECUTION	Ø STEM
AE	[0,31] 8
AI	[0,25] 6,4
AM	[0,24] 6
A3B	[0,38] 9,5



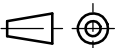
Ø STEM  
SEE TABLE

S = STEM LENGTH (SPECIFY BY CUSTOMER)

All specifications are subject to change without notice.

This drawing includes confidential information which is the property of ASHCROFT INC. This copy is loaned for a specific purpose, with the understanding that it will not be reproduced or used for any other purpose or disclosed to others, and it will be returned on demand.

Dimensions in mm [inch]



General Dimension  
Bimetal, NG100, A,  
Every Angle, 065

Rev.	Description	Date	Na.

	Date	Name
Drawn	28.08.20	J. Krott
Checked	28.08.20	<i>C. Witz</i>

**ASHCROFT**

DWG. NO.

A 076 I 2-NG100A-E-065