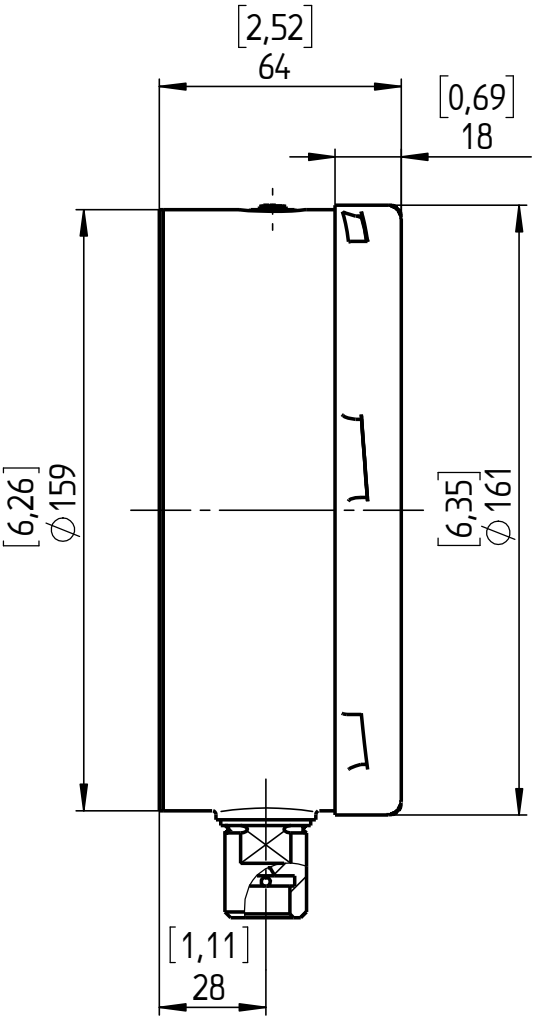
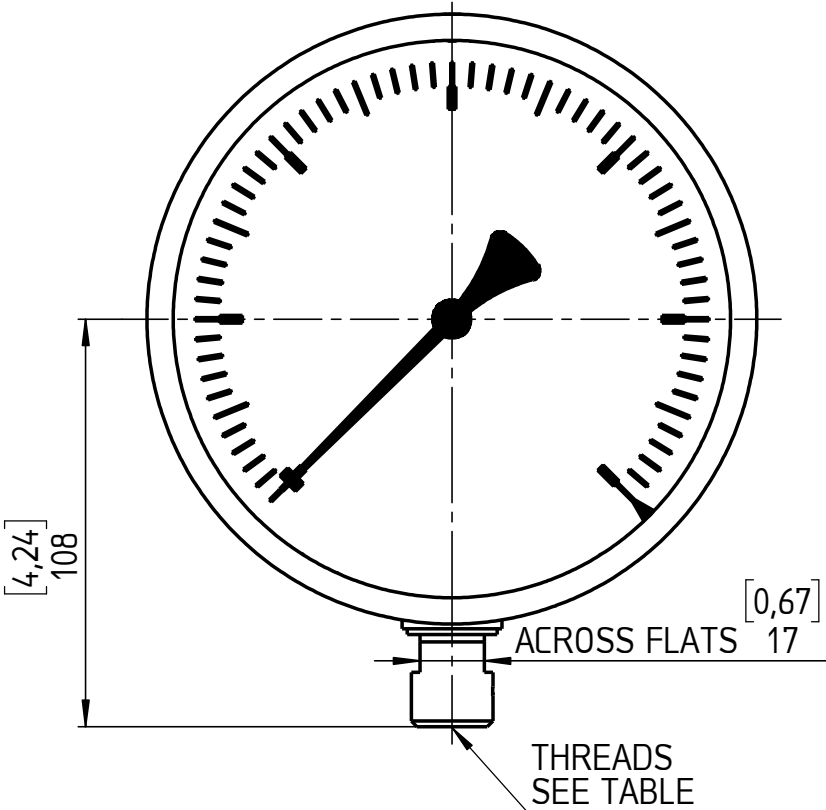
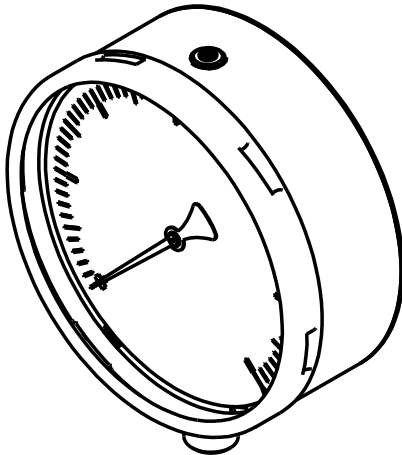


THREADS	CODE
9/16-18 UNF-2B FEMALE; AMINCO; HP	09
9/16-18 UNF-2B (LH) FEMALE; AMINCO; HP	29
M16x1,5 FEMALE; HP	54



All specifications are subject to change without notice.

This drawing includes confidential information which is the property of ASHCROFT INC. This copy is loaned for a specific purpose, with the understanding that it will not be reproduced or used for any other purpose or disclosed to others, and it will be returned on demand.

Dimensions in mm [inch]

**General Dimension**  
T6500HP, NG160, Lower

Rev.	Description	Date	Na.	Drawn	Date	Name
				Drawn	25.04.19	J. Krott
				Checked	25.04.19	Th. Wolf



DWG. NO.  
A 076 | 1-T6500HP-NG160-L