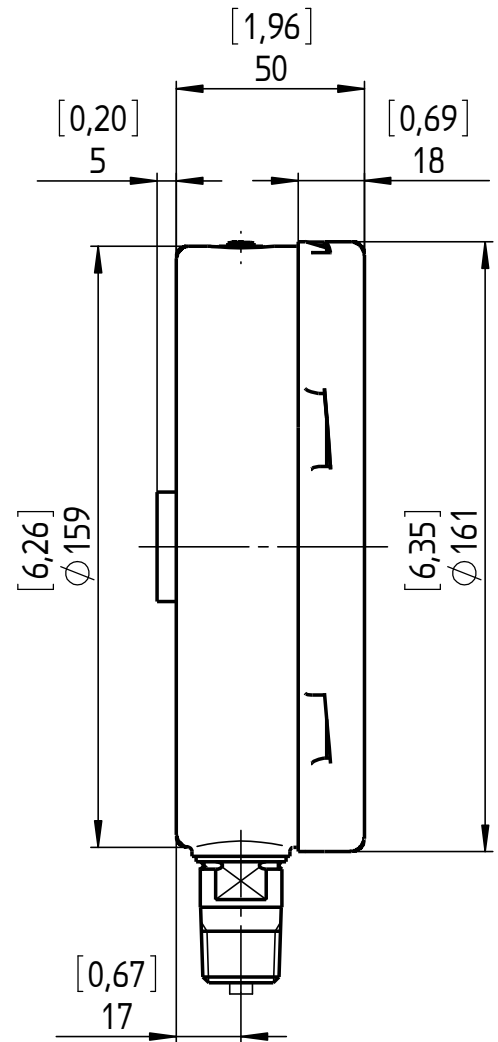
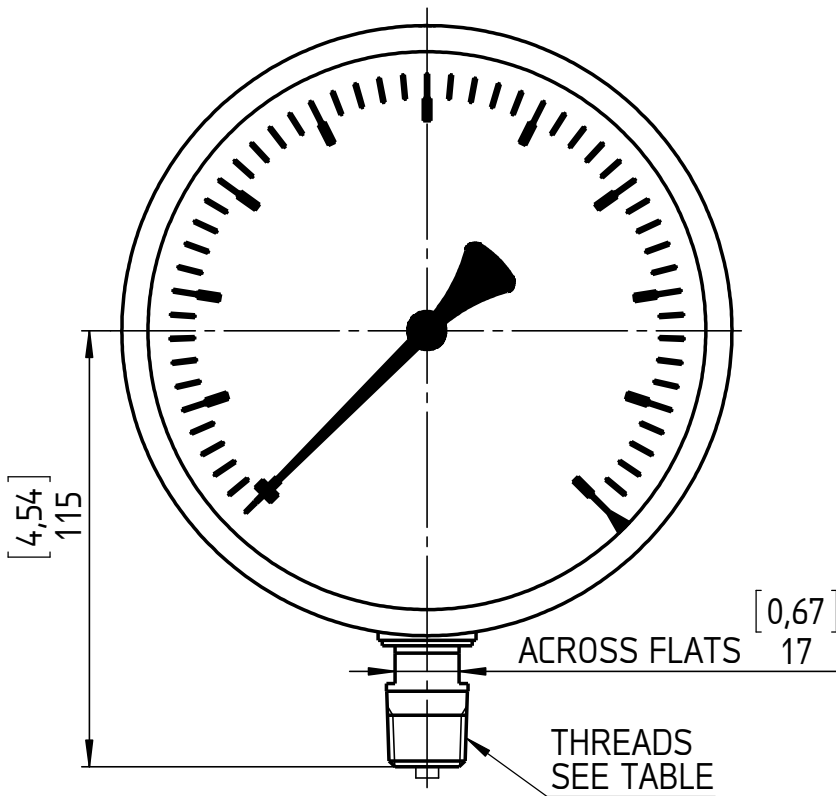
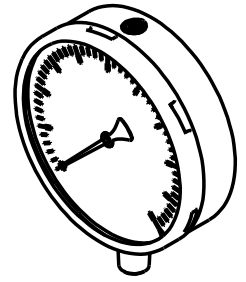


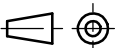
THREADS	CODE
1/4-18 NPT MALE; DIN EN 837	02
3/8-18 NPT MALE	03
1/2-14 NPT MALE; DIN EN 837	04
G 1/4 B MALE; DIN EN 837	13
G 3/8 B MALE; DIN EN 837	14
G 1/2 B MALE; DIN EN 837	15
M20x1,5 MALE	16
PF 1/2 B MALE; (JIS B 07505/0202)	KN
PF 3/8 B MALE; (JIS B 07505/0202)	KP
R 1/2 MALE; ISO 7-1 (DIN EN 10226)	KQ
R 3/8 MALE; ISO 7-1 (DIN EN 10226)	KR



All specifications are subject to change without notice.

This drawing includes confidential information which is the property of ASHCROFT INC. This copy is loaned for a specific purpose, with the understanding that it will not be reproduced or used for any other purpose or disclosed to others, and it will be returned on demand.

Dimensions in mm [inch]



General Dimension

N5500\_BAE, NG160, Lower

	Date	Name
Drawn	08.12.14	J. Krott
Checked	10.12.14	Th. Wol

DWG. NO.

A 076 I 1-N5500\_BAE-NG160-L

**ASHCROFT**

Rev.	Description	Date	Na.